

SA SERIES: BRASS

GLASS MOUNTED HANDRAIL BRACKET



SPEC	SA-GLASS-BRASS	NOTES
Application	Glass Mounted	Use with rail with flat bottom. 3/4" / 19mm Diameter hole in glass required. Glass thickness should be specified when ordering. All hardware included.
Material	Solid Brass	
Finish	Brushed & Clear Coat	
Colour	Brass	
Use	Interior & Exterior	
Projection	3" / 77mm	
Spacing	36"-48" o.c. / 914-1220mm	
Hardware	Included	

SA Series, designed and manufactured by componance. For technical information, CAD drawings or related materials, please visit: www.componance.com or contact an authorized componance dealer. All information subject to change. Line drawings are not plotted to scale, for scaled drawings please inquire or download the drawings in CAD format.

componance.com
info@componance.com
 +1.604.771.5128

SA SERIES: BLACK

GLASS MOUNTED HANDRAIL BRACKET



SPEC	SA-GLASS-BLK	NOTES
Application	Glass Mounted	Use with rail with flat bottom. 3/4" / 19mm Diameter hole in glass required. Glass thickness should be specified when ordering. All hardware included.
Material	304 Stainless Steel	
Finish	Powder Coated	
Colour	Black	
Use	Interior & Exterior	
Projection	3" / 77mm	
Spacing	36"-48" o.c. / 914-1220mm	
Hardware	Included	

SA Series, designed and manufactured by componance. For technical information, CAD drawings or related materials, please visit: www.componance.com or contact an authorized componance dealer. All information subject to change. Line drawings are not plotted to scale, for scaled drawings please inquire or download the drawings in CAD format.

componance.com
info@componance.com
 +1.604.771.5128

SA SERIES: WHITE

GLASS MOUNTED HANDRAIL BRACKET



SPEC	SA-GLASS-WHT	NOTES
Application	Glass Mounted	Use with rail with flat bottom. 3/4" / 19mm Diameter hole in glass required. Glass thickness should be specified when ordering. All hardware included.
Material	304 Stainless Steel	
Finish	Powder Coated	
Colour	White	
Use	Interior & Exterior	
Projection	3" / 77mm	
Spacing	36"-48" o.c. / 914-1220mm	
Hardware	Included	

SA Series, designed and manufactured by componance. For technical information, CAD drawings or related materials, please visit: www.componance.com or contact an authorized componance dealer. All information subject to change. Line drawings are not plotted to scale, for scaled drawings please inquire or download the drawings in CAD format.

componance.com
info@componance.com
 +1.604.771.5128

SA SERIES: BRUSHED STAINLESS

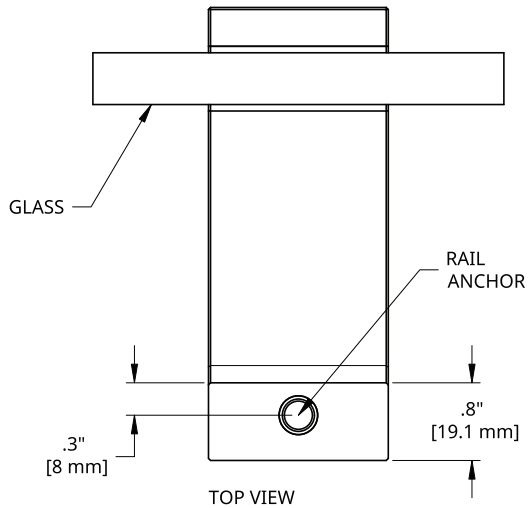
GLASS MOUNTED HANDRAIL BRACKET



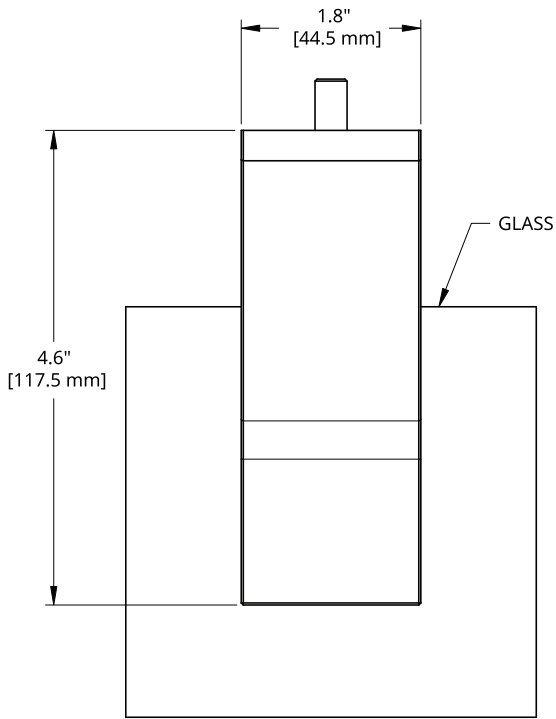
SPEC	SA-GLASS-SS	NOTES
Application	Glass Mounted	Use with rail with flat bottom. 3/4" / 19mm Diameter hole in glass required. Glass thickness should be specified when ordering. All hardware included.
Material	304 Stainless Steel	
Finish	Brushed	
Colour	Silver	
Use	Interior & Exterior	
Projection	3" / 77mm	
Spacing	36"-48" o.c. / 914-1220mm	
Hardware	Included	

SA Series, designed and manufactured by componance. For technical information, CAD drawings or related materials, please visit: www.componance.com or contact an authorized componance dealer. All information subject to change. Line drawings are not plotted to scale, for scaled drawings please inquire or download the drawings in CAD format.

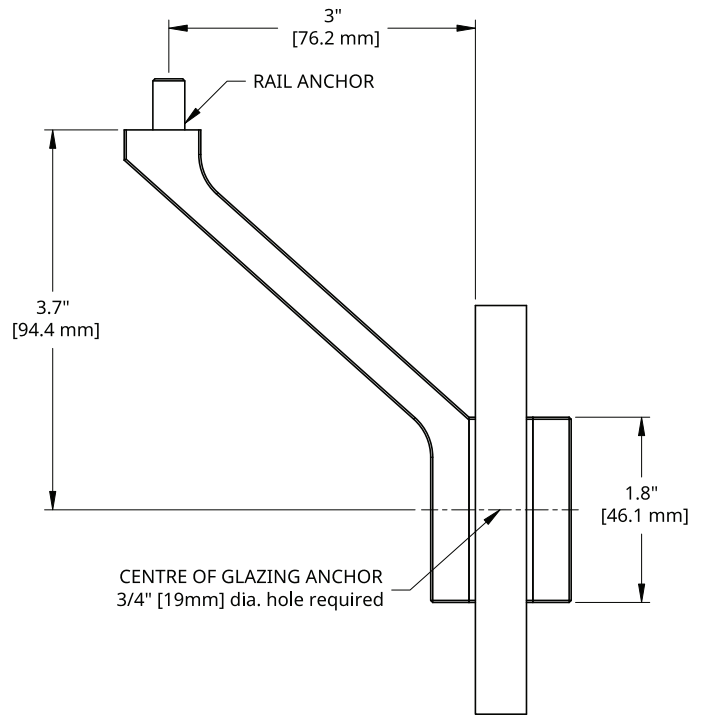
componance.com
info@componance.com
 +1.604.771.5128



TOP VIEW



FRONT VIEW



SIDE VIEW

NOTES

Specification: SA-GLASS-(COLOUR)

3/4" / 19mm Diameter hole in glass required.

Glass thickness should be specified when ordering

Rail must be flat on the bottom where it comes in contact with the bracket. 1.8" W x .80" D / 45mm x 19mm min.

Can be used with solid metal and wood rails. For hollow metal rails, please inquire.

For technical installation, product specs, maintenance and more specific questions, please contact info@componance or call +1.604.771.5128