



componance

SA-WALL-STRAIGHT wall mounted handrail bracket



The SA-WALL wall mounted handrail brackets are designed with the sleek, modern interior in mind. This bracket is available in three colours and works seamlessly with both flat and round rails with a flush bottom. The SA-WALL is available with or without an angle. The angle on the angled versions is currently set at 33 degrees but custom slopes can be created.

Complementing square SA-GLASS glazing standoffs in 1-1/2" and 2" lengths are available.

Material: Machined aluminum
Application: Interior & Exterior
Spacing: Approx 4'-0" O.C.

Product Angles:

No Angle	STR
Angled Right	AR
Angled Left	AL

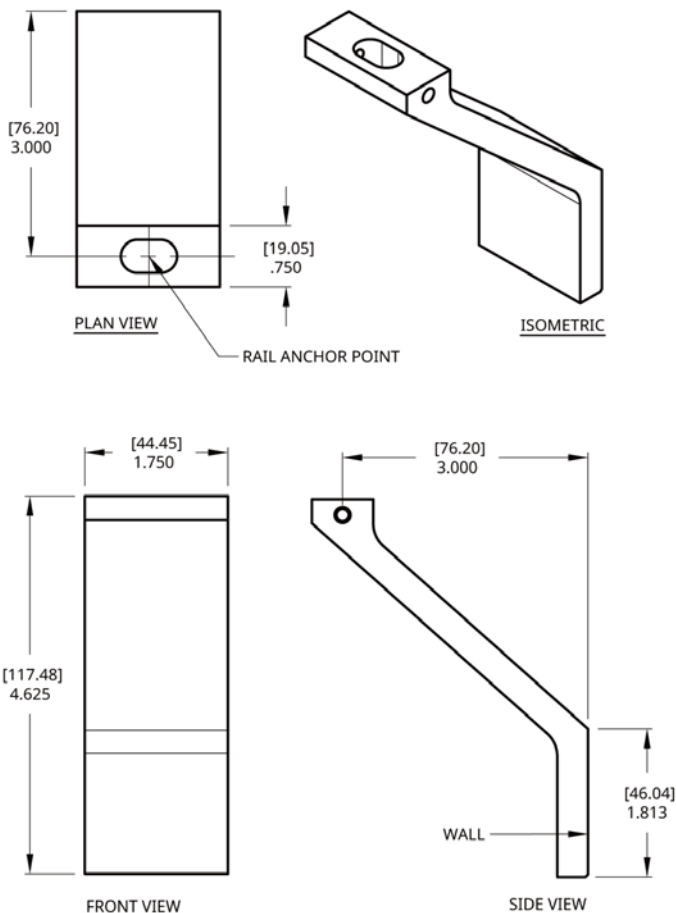
Product colour codes:

Clear anodized (silver)	CLR
Black anodized	BLK
White powder coat	WHT

Ordering & spec format:

Product name	SA-WALL
Product angle	"STR"
Product colour code	(as above)

Spec format example: SA-WALL-STR-CLR



Designed and manufactured by componance. For more detailed information, cad drawings installation procedures and warranties, please visit: www.componance.com or contact your authorized componance dealer. All information subject to change. All line drawings shown on spec sheet are not plotted to scale, for scaled drawings please inquire or download the drawing in CAD format.



SA-WALL-ANGLED LEFT wall mounted handrail bracket



The SA-WALL wall mounted handrail brackets are available in three colours and work seamlessly with both flat and round rails with a flush bottom. All SA brackets are available with or without an angle. The angled on the angled versions is currently set at 33 degrees but custom slopes can be created. The angle required (left or right) is determined by the side the bracket will be located on when looking **UP** the stairs.

Complementing square glazing standoffs in 1-1/2" & 2" lengths available.

Material: Machined aluminum
Application: Interior & Exterior
Spacing: Approx 4'-0" O.C.

Bracket Angles:

No Angle	STR
Angled Right	AR
Angled Left	AL

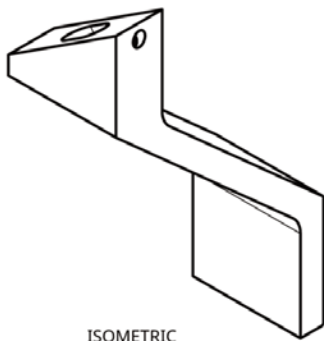
Product colour codes:

Clear anodized	CLR
Black anodized	BLK
White powder coat	WHT

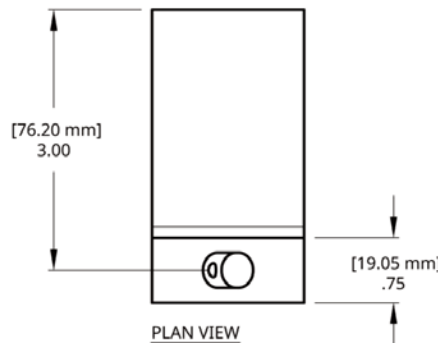
Ordering & spec format:

Product name	SA-WALL
Product angle	"AL" (angled left)
Product colour code	(as above)

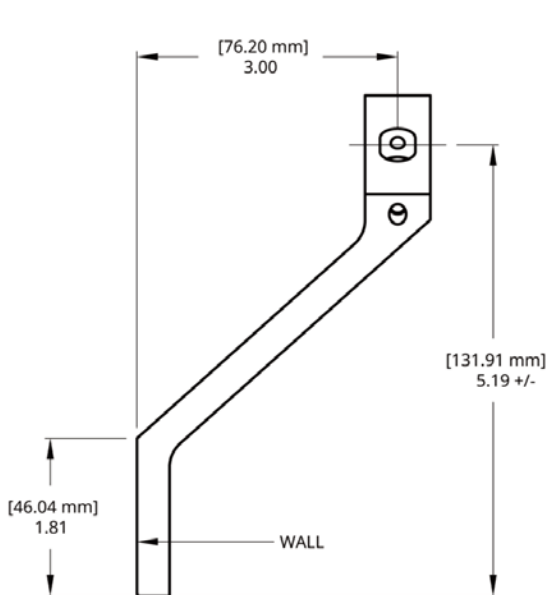
Spec format example: SA-WALL-AL-CLR



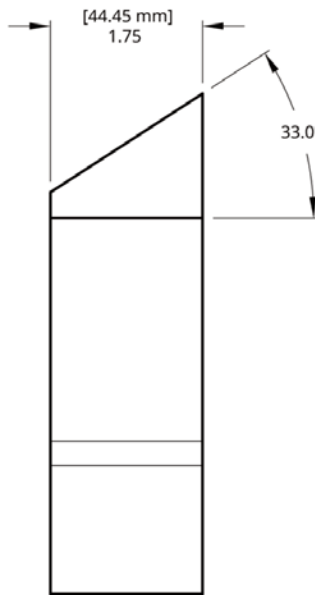
ISOMETRIC



PLAN VIEW



SIDE VIEW



FRONT VIEW



Designed and manufactured by componance. For more detailed information, cad drawings installation procedures and warranties, please visit: www.componance.com or contact your authorized componance dealer. All information subject to change. All line drawings shown on spec sheet are not plotted to scale, for scaled drawings please inquire or download the drawing in CAD format.



The SA-WALL wall mounted handrail brackets are available in three colours and work seamlessly with both flat and round rails with a flush bottom. All SA brackets are available with or without an angle. The angle on the angled versions is currently set at 33 degrees but custom slopes can be created. The angle required (left or right) is determined by the side the bracket will be located on when looking **UP** the stairs.

Complementing square glazing standoffs in 1-1/2" & 2" lengths available.

Material: Machined aluminum
Application: Interior & Exterior
Spacing: Approx 4'-0" O.C.

Bracket Angles:

No Angle	STR
Angled Right	AR
Angled Left	AL

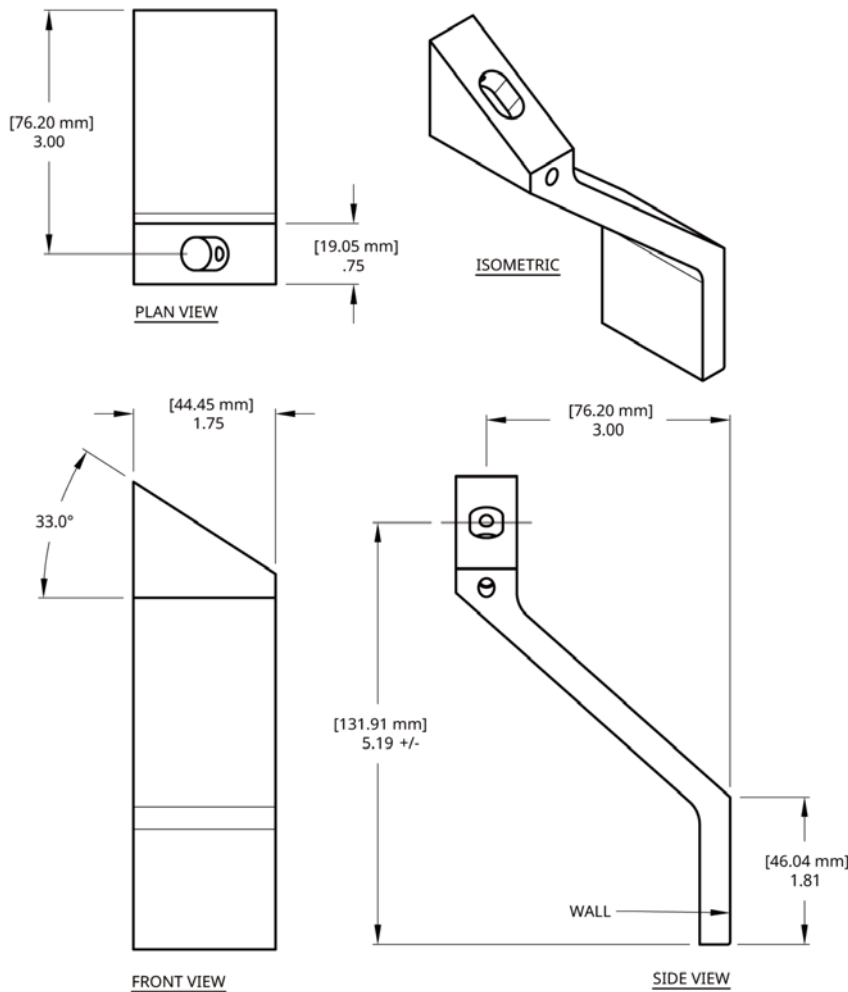
Product colour codes:

Clear anodized	CLR
Black anodized	BLK
White powder coat	WHT

Ordering & spec format:

Product name	SA-WALL
Product angle	"AR" (angled right)
Product colour code	(as above)

Spec format example: SA-WALL-AR-CLR



Designed and manufactured by componance. For more detailed information, cad drawings installation procedures and warranties, please visit: www.componance.com or contact your authorized componance dealer. All information subject to change. All line drawings shown on spec sheet are not plotted to scale, for scaled drawings please inquire or download the drawing in CAD format.