



componance

SA-GLASS-STRAIGHT

glass mounted handrail bracket



The SA-GLASS glass mounted handrail bracket are designed with the sleek, modern interior in mind. This bracket is available in three colours and works seamlessly with both flat and round rails with a flush bottom. All SA bracket are available with or without an angle. The angle on the angled versions is currently set at 33 degrees but custom angles can be created. Hole dia. 3/4".

Complementing square SA-GLASS glazing standoffs in 1-1/2" and 2" lengths are available.

Material: Machined aluminum
Application: Interior & Exterior
Spacing: Approx 4'-0" O.C.

Bracket Angles:

No Angle	STR
Angled Right	AR
Angled Left	AL

Product colour codes:

Clear anodized (silver)	CLR
Black anodized	BLK
White powder coat	WHT

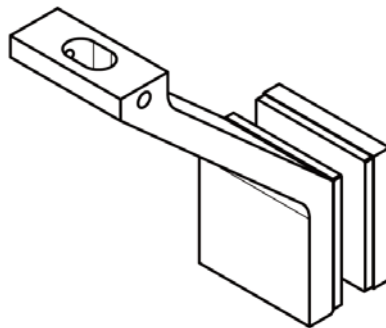
Ordering & spec format:

Product name	SA-GLASS
Product angle	"STR" (no angle)
Product colour code	(as above)

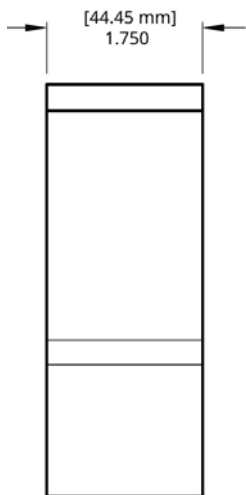
Spec format example: SA-GLASS-STR-CLR



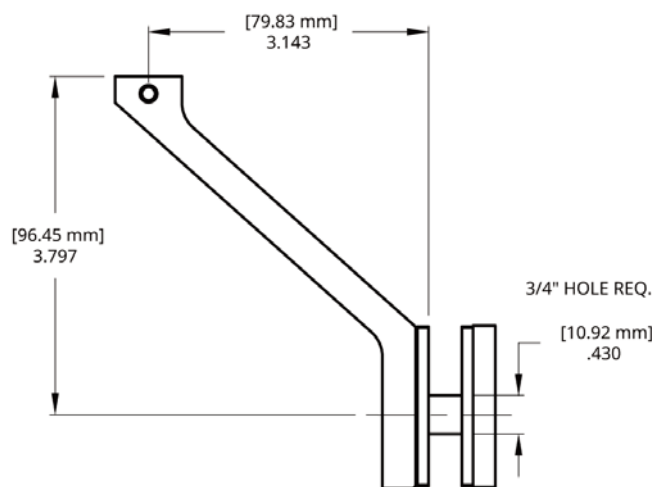
PLAN VIEW



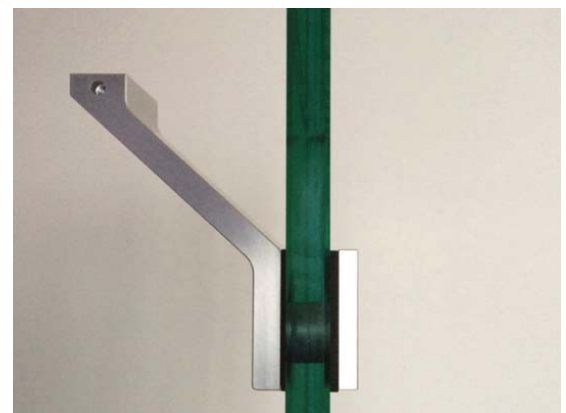
ISOMETRIC



FRONT VIEW



SIDE VIEW



Designed and manufactured by componance. For more detailed information, cad drawings installation procedures and warranties, please visit: www.componance.com or contact your authorized componance dealer. All information subject to change. All line drawings shown on spec sheet are not plotted to scale, for scaled drawings please inquire or download the drawing in CAD format.



componance

SA-GLASS-ANGLED LEFT glass mounted handrail bracket



The SA-GLASS glass mounted handrail brackets are available in three colours and work seamlessly with both flat and round rails with a flush bottom. The SA-GLASS is available with or without an angle. The angle on the angled versions is currently set at 33 degrees but custom slopes can be created. The angle required (left or right) is determined by the side the bracket will be located on when looking **UP** the stairs. Glass hole dia. 3/4".

Complementing square SA-GLASS glazing standoffs in 1-1/2" & 2" lengths available.

Material: Machined aluminum
Application: Interior & Exterior
Spacing: Approx 4'-0" O.C.

Bracket Angles:

No Angle	STR
Angled Right	AR
Angled Left	AL

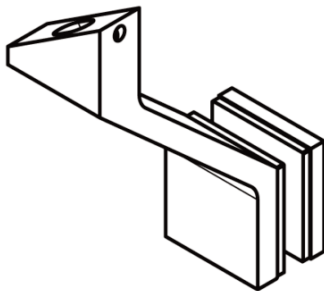
Product colour codes:

Clear anodized	CLR
Black anodized	BLK
White powder coat	WHT

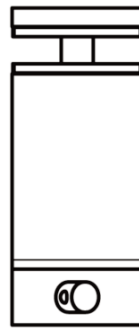
Ordering & spec format:

Product name	SA-GLASS
Product angle	"AL" (angled left)
Product colour code	(as above)

Spec format example: SA-GLASS-AL-CLR

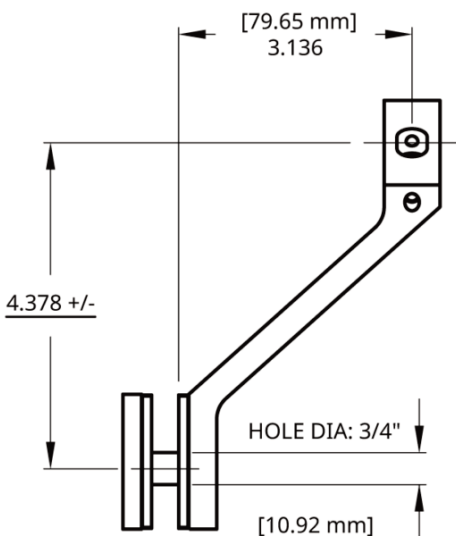


ISOMETRIC

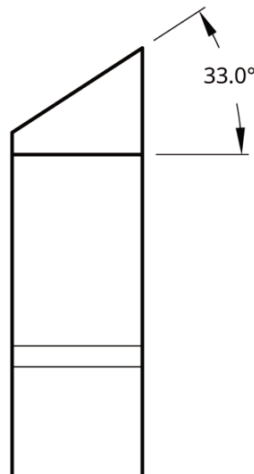


PLAN VIEW

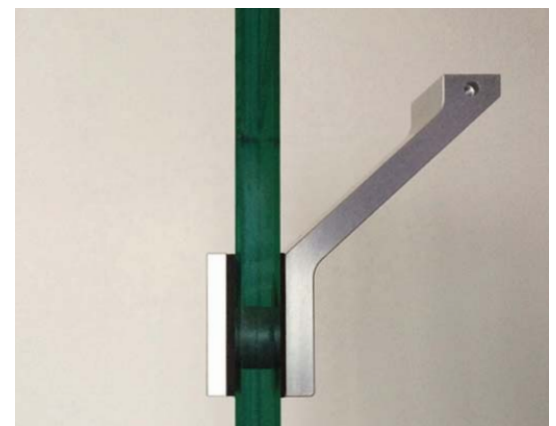
[44.45 mm]
1.750



SIDE VIEW



FRONT VIEW



Designed and manufactured by componance. For more detailed information, cad drawings installation procedures and warranties, please visit: www.componance.com or contact your authorized componance dealer. All information subject to change. All line drawings shown on spec sheet are not plotted to scale, for scaled drawings please inquire or download the drawing in CAD format.



componance

SA-GLASS-ANGLED RIGHT glass mounted handrail bracket



The SA-GLASS glass mounted handrail brackets are available in three colours and work seamlessly with both flat and round rails with a flush bottom. The SA-GLASS is available with or without an angle. The angle on the angled versions is currently set at 33 degrees but custom slopes can be created. The angle required (left or right) is determined by the side the bracket will be located on when looking **UP** the stairs. Glass hole dia. 3/4".

Complementing square SA-GLASS glazing standoffs in 1-1/2" & 2" lengths available.

Material: Machined aluminum
Application: Interior & Exterior
Spacing: Approx 4'-0" O.C.

Bracket Angles:

No Angle	STR
Angled Right	AR
Angled Left	AL

Product colour codes:

Clear anodized	CLR
Black anodized	BLK
White powder coat	WHT

Ordering & spec format:

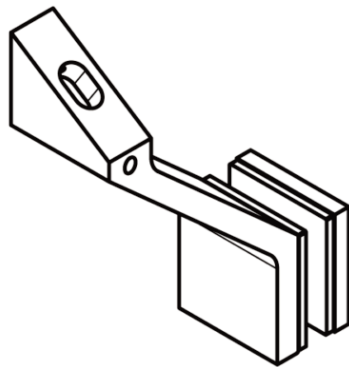
Product name	SA-GLASS
Product angle	"AR" (angled right)
Product colour code	(as above)

Spec format example: SA-GLASS-AR-CLR

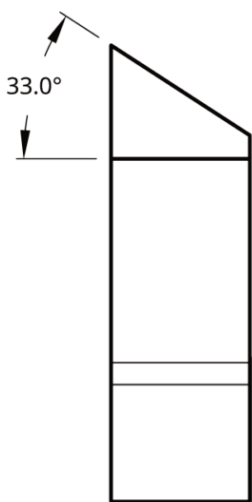


[44.45 mm]
1.750

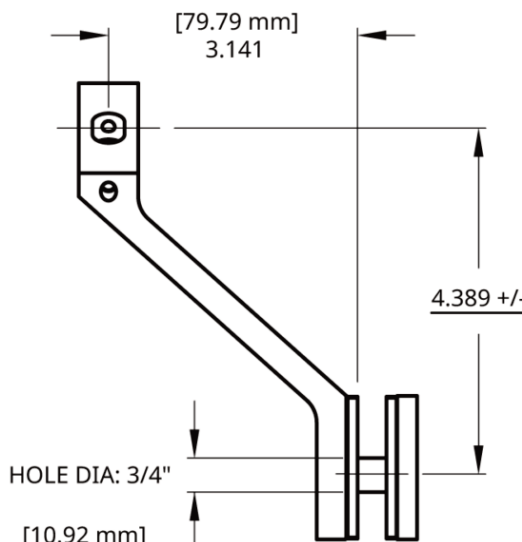
PLAN VIEW



ISOMETRIC



FRONT VIEW



SIDE VIEW



Designed and manufactured by componance. For more detailed information, cad drawings installation procedures and warranties, please visit: www.componance.com or contact your authorized componance dealer. All information subject to change. All line drawings shown on spec sheet are not plotted to scale, for scaled drawings please inquire or download the drawing in CAD format.