



ONEN



Item number	Description	Center measurement	Roses	Spindle	Door thickness	Material	Surface	Pack size
12413274017	Lever handle		w/o rose	8 x 8 mm	30 - 60 mm	Brass	Nickel plated	Set
12413074019	Lever handle	cc 30 mm	Solid	8 x 8 mm	30 - 60 mm	Brass	Nickel plated	Set
12413174001	Lever handle	cc 30/38 mm	Snap on cover	8 x 8 mm	30 - 60 mm	Brass	Nickel plated	Set
12413874010	Lever handle		F17S*	8 x 8 mm	30 - 60 mm	Brass	Nickel plated	Set

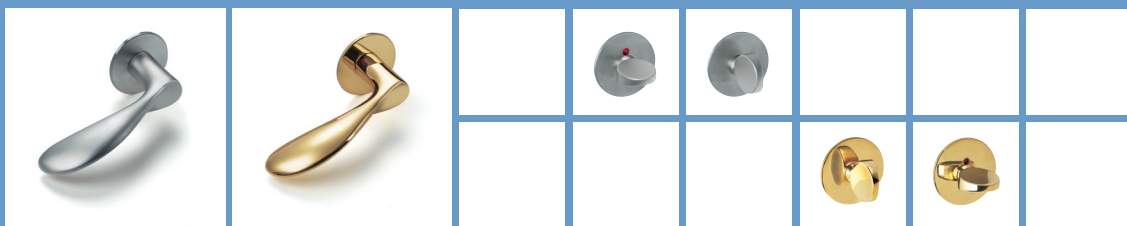
* Ready to order Q1 2010

Item number	Description	Center measurement	Roses	Door thickness	For lock case	Material	Surface	Pack size
06202002130	Toilet indicator	cc 30 mm	Solid	34 - 45 mm	5 mm spindle, 90°	Brass	Nickel plated	Set
06202002300	Toilet indicator	cc 30 mm	Snap on cover	34 - 45 mm	5 mm spindle, 90°	Brass	Nickel plated	Set
06202002388	Toilet indicator	cc 38 mm	Snap on cover	34 - 45 mm	8 mm spindle, 90°	Brass	Nickel plated	Set

Item number	Description	Center measurement	Roses	For lock case	Material	Surface	Pack size
06193402130	Thumb turn	cc 30 mm	Solid	ASSA	Brass	Nickel plated	Pc.



Arne Jacobsen – Accessories



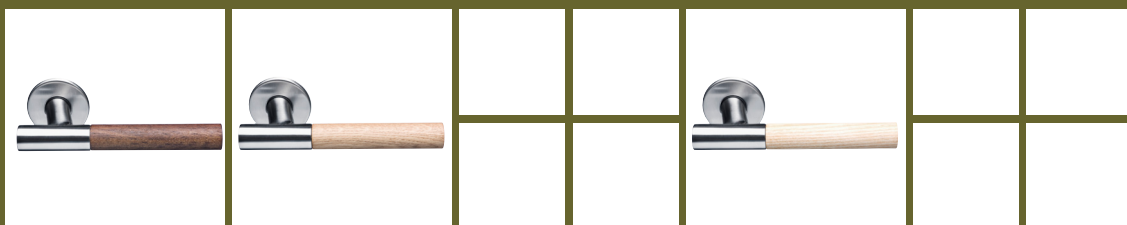
PLH Architects – Accessories



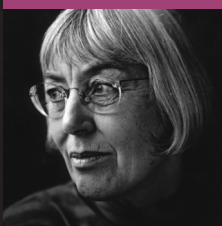
Jean Nouvel – Accessories



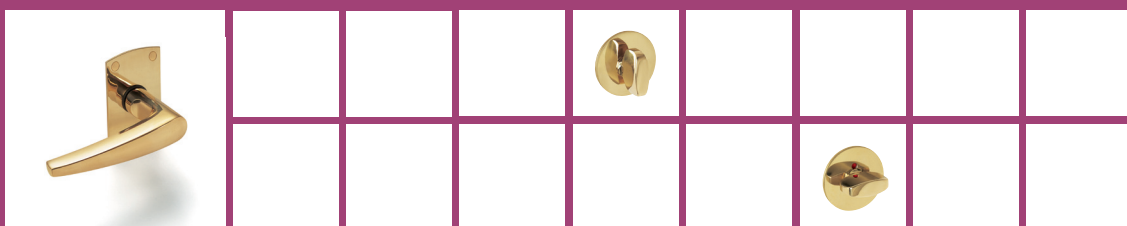
Aarstiderne Architects – Accessories



schmidt hammer lassen design – Accessories



Annelise Bjørner – Accessories



General information

This information sheet has been developed with the purpose of providing guidance to building contractors, owners and other users regarding the storage, maintenance and cleaning of products. Having chosen to apply high quality products, it is critical that these products are stored and maintained in the correct manner to ensure optimum benefit for their useful lifetime.

Storage

All products are carefully packed prior to delivery to safeguard against damage during transport. Once the parts have reached their destination it is vital that all fittings are stored in a dry place until mounting. When they have been mounted, care must be taken to ensure that all fittings are protected correctly until the construction work has been finalized.

Maintenance

Maintenance – Lever handles

If the instructions are followed carefully when mounting lever handles, there will be no need for adjustment. However, the tension of the fastening of all lever handles should be checked in connection with the annual inspections. Any fastenings that have come loose must be tightened.

Maintenance – Pull handles

Pulls should be checked to ensure correct mounting of the fittings and tightening of any neck screws used. If it is possible to move the pull, such movements will damage the surface of the door and cause instability of the pull leading to malfunctioning during use.

Cleaning

Cleaning procedure

- It is essential to clean stainless steel and brass regularly.
- Start by washing the surface with soap water or a mild cleaning agent.
- Do not forget to rinse off the cleaning agent with pure water.
- As a final step, dry/polish the object using a soft, dry cloth. In aggressive environments, such as off-shore or maritime environments and bathing or swimming facilities, it is particularly important to ensure regular cleaning.

Discoloration

Any spots that may appear on the surface are not caused by the stainless steel, on the contrary they are produced by impurities in the water, air or cleaning agents that have been insufficiently rinsed off the surface.

- Spots can be avoided by careful cleaning.
- Any discolorations or spots can be removed using a polished agent for stainless steel or liquid scouring powder.
- Again, as a final step rinse carefully with pure water and then polish the object using a soft, dry cloth.

Do NOT use the following!

- Scouring powder.
- Steel wool.
- Highly abrasive materials.

Surface

Why maintain the surfaces?

With today's environments the demands to the material properties of a product are considerable. Products must be able to withstand diverse atmospheric conditions, such as heavy air pollution, high humidity regimes and maritime environments. In addition to this, products must allow cleaning with effective cleaning agents and, from an optimal point of view, offer non-allergic properties.

Characteristics of stainless steel

Stainless steel is well known for the following two properties; resistance to corrosion and modest need for maintenance. The corrosion resistance of stainless steel is provided by a thin hardwearing film of a passive but stable chromoxide. This film is inactive, invisible, with extremely adhesive properties and self repairing so that the steel is given the best possible protection. If the film suffers damage or is removed, it is automatically restored provided the oxygen in the atmosphere is not prevented from reaction with the chrome in the steel. To ensure this it is necessary to clean regularly. The purpose of the cleaning is to restore the appearance of the original surface, protect against corrosion and ensure hygienic conditions.

Characteristics of brass and nickel plated

Lever handles made of brass with a polished or a nickel plated surface are more affected by high variations of temperature and environment than lever handles made of stainless steel, as brass is a more soft material. Lever handles with a nickel plated surface have a harder surface than the polished brass lever handles, which can cause cracks in the surface when exposed for high variations of temperature and environment fluctuations. For lever handles made of brass or stainless steel will the same rules apply regarding cleaning.

Characteristics of wood

The wooden lever handles have during the production been "sealed" with a thin PU lacquer that penetrates into the grains. The PU lacquer is mixed oil on a turpentine base which hardens and gives a hard-wearing surface. Hardness in end-wood; 78-83 Mpa.

By daily use and exposure to all kinds of weather, the lever handle can in time look a bit "worn out". This can be fixed with an aftercare by regular vegetable oil that is put on with a soft cloth. The surplus of oil need to be dried off. (In case the layer of oil is used up and the lever handles has not been given aftercare, the wood will still be fairly protected due to the original sealing).

PRODUCT DOCUMENTATION

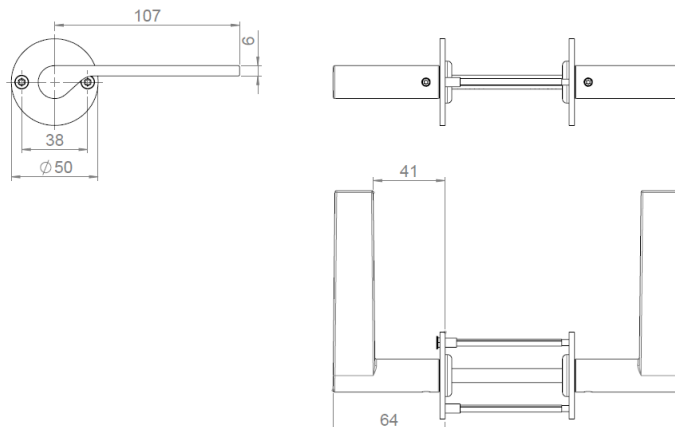
Product Name: Lever handle Onen, pair, satin finish,
Solid rose cc 38 mm, 33-59 mm

Article Number: 12.4130.74.038
Satin stainless steel
Polished stainless steel

Photo:



Drawing:



Product Information:

Material: AISI 316 stainless steel
Surface finish: Satin 320 grain or polished
Height: 50 mm Width: 132 mm Depth: 64 mm

Product Specification:

Ikons lever handle Onen, pair, satin finish, solid rose cc 38 mm, 33-59 mm produced in satin finish or polished stainless steel AISI 304.

Certificate: EN 179, EN 1906
Warranty: 20 years (non-mechanical/-electronic parts)

Collection of Ikons is synonymous with quality, pristine design and excellent craftsmanship. We add the best of our d line technology on the inside - such as ball bearing roses - and use the best of quality materials on the outside - such as satin stainless steel grade AISI 304 and composit materials where needed - and end up with a door lever that will stand the test of time.

Spare Parts/Accessories:

14.2810.92.092 Spindle 8x8x92
14.9701.02.019 Grub screw M5x8,3 mm

Related Products:

12.4130.74.038 Lever handle Onen, pair, satin finish, solid rose cc 30 mm, 33-59 mm

Mounting:

See instruction supplied with the product

Packing:

1 piece in a bag.

Maintenance:

Wash down with mild detergent, rinse off with clean water, and dry off with soft dry cloth. Please do not use scouring powders, steel wool or aggressive cleaning products as these may damage the surface. If spots appear on the surface it is not due to the stainless steel, but to impurities in the environment or the use of aggressive cleaning agents.

Environment:

No environmental risk and no risk of fire.

PRODUCT DOCUMENTATION

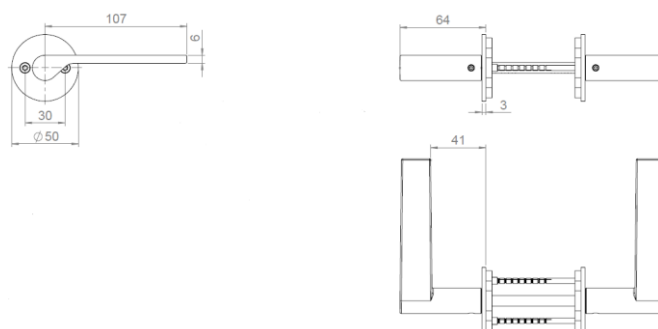
Product Name: Lever handle Onen, pair, satin finish,
Solid rose cc 30 mm, 33-59 mm

Article Number: 12.4130.74.019
Satin stainless steel
Polished stainless steel

Photo:



Drawing:



Product Information:

Material: AISI 316 stainless steel
Surface finish: Satin 320 grain or polished
Height: 50 mm Width: 132 mm Depth: 64 mm

Product Specification:

Ikons lever handle Onen, pair, satin finish, solid rose cc 30 mm, 33-59 mm produced in satin finish or polished stainless steel AISI 304.

Collection of Ikons is synonymous with quality, pristine design and excellent craftsmanship. We add the best of our d line technology on the inside - such as ball bearing roses - and use the best of quality materials on the outside - such as satin stainless steel grade AISI 304 and composit materials where needed - and end up with a door lever that will stand the test of time.

Certificate: EN 179, EN 1906
Warranty: 20 years (non-mechanical/-electronic parts)

Spare Parts/Accessories:

14.2810.92.092 Spindle 8x8x92
14.9701.02.019 Grub screw M5x8,3 mm

Related Products:

12.4130.74.019 Lever handle Onen, pair, satin finish,
solid rose cc 38 mm, 33-59 mm

Mounting:

See instruction supplied with the product

Packing:

1 piece in a bag.

Maintenance:

Wash down with mild detergent, rinse off with clean water, and dry off with soft dry cloth. Please do not use scouring powders, steel wool or aggressive cleaning products as these may damage the surface. If spots appear on the surface it is not due to the stainless steel, but to impurities in the environment or the use of aggressive cleaning agents.

Environment:

No environmental risk and no risk of fire.

PRODUCT DOCUMENTATION

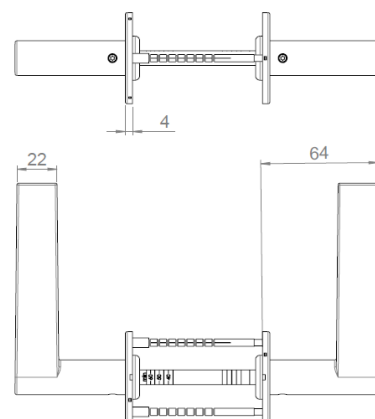
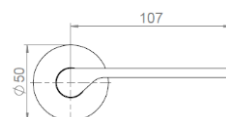
Product Name: Lever handle Onen, pair, satin finish,
Snap on cover cc 30/38 mm, 33-59 mm

Article Number: 12.4131.74.001
Satin stainless steel
Polished stainless steel

Photo:



Drawing:



Product Information:

Material: AISI 316 stainless steel
Surface finish: Satin 320 grain or polished
Height: 50 mm Width: 132 mm Depth: 64 mm

Product Specification:

Ikons lever handle Onen, pair, satin finish, snap on cover cc 30/38 mm, 33-59 mm produced in satin finish or polished stainless steel AISI 304.

Certificate: EN 179, EN 1906
Warranty: 20 years (non-mechanical/-electronic parts)

Collection of Ikons is synonymous with quality, pristine design and excellent craftsmanship. We add the best of our d line technology on the inside - such as ball bearing roses - and use the best of quality materials on the outside - such as satin stainless steel grade AISI 304 and composit materials where needed - and end up with a door lever that will stand the test of time.

Spare Parts/Accessories:

14.2810.92.092 Spindle 8x8x92
14.9701.02.019 Grub screw M5x8,3 mm

Related Products:

12.4130.74.038 Lever handle Onen, pair, satin finish,
solid rose cc 30 mm, 33-59 mm

Mounting:

See instruction supplied with the product

Packing:

1 piece in a bag.

Maintenance:

Wash down with mild detergent, rinse off with clean water, and dry off with soft dry cloth. Please do not use scouring powders, steel wool or aggressive cleaning products as these may damage the surface. If spots appear on the surface it is not due to the stainless steel, but to impurities in the environment or the use of aggressive cleaning agents.

Environment:

No environmental risk and no risk of fire.

PRODUCT DOCUMENTATION



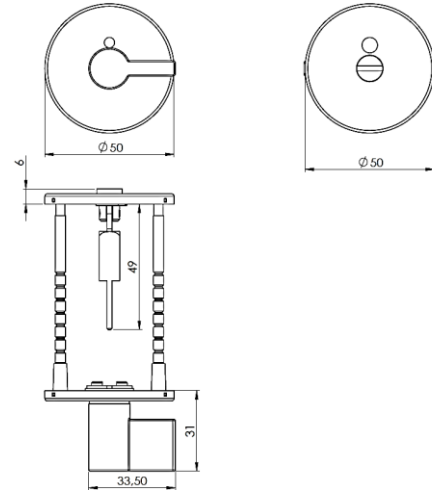
Product Name: Toilet indicator 8L90 Onen
Snap on cover cc 38 mm

Article Number: 06.2020.02.388
Satin stainless steel

Photo:



Drawing:



Product Information:

Material: AISI 304 stainless steel
Material thickness/radius: 50 mm
Height: 50 mm Width: 50 mm Depth: 31 mm

Product Specification:

Toilet indicator 8L90 Onen, snap on cover cc 38 mm

Certificate: EN 1906, Class 4
Warranty: 15 years (non-mechanical/-electronic parts)

Collection of Ikons is synonymous with quality, pristine design and excellent craftsmanship. We add the best of our d line technology on the inside - such as ball bearing roses - and use the best of quality materials on the outside – such as satin stainless steel grade AISI 304 and composit materials where needed - and end up with a door lever that will stand the test of time.

Spare Parts/Accessories:

All ball bearing roses and back plates made by d line, screws, spindles and tools available.
14.2961.74.107 Section bolt set M4x110 with bush

Related Products:

06.2020.02.130 Toilet indicator 5V90 Onen , solid rose cc 30 mm

Mounting:

See instruction supplied with the product

1 pair in a bag, 5 bags per box

Maintenance:

Wash down with mild detergent, rinse off with clean water, and dry off with soft dry cloth. Please do not use scouring powders, steel wool or aggressive cleaning products as these may damage the surface. If spots appear on the surface it is not due to the stainless steel, but to impurities in the environment or the use of aggressive cleaning agents.

Environment:

No environmental risk and no risk of fire.