

## CONTACT

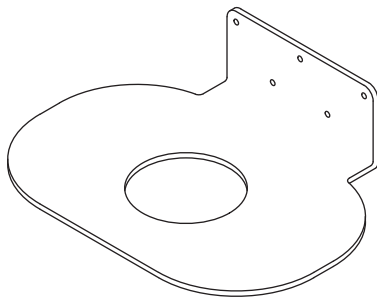
Toll Free +1 888 510 2893  
Phone 226-400-4101  
Email [hello@muddconcrete.com](mailto:hello@muddconcrete.com)  
Web [muddconcrete.com](http://muddconcrete.com)



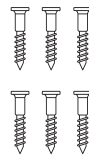
# wall mount installation

please carefully read these instructions prior to wall finishing

## YOUR WALL MOUNT KIT CONTAINS:



BRACKET x 1  
*design varies based on sink model*



SCREWS x 6

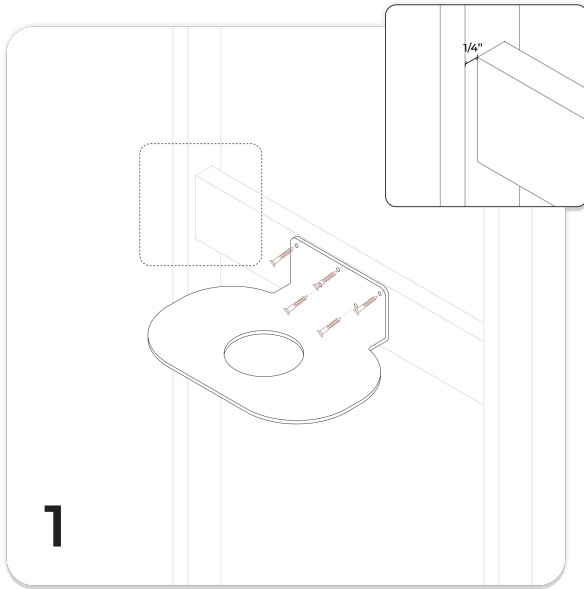


83 ML. SILICONE x 1

## CONTACT

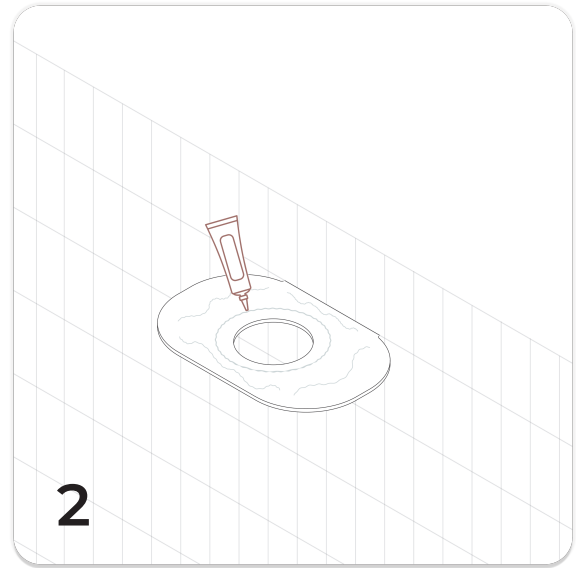
Toll Free  
Phone  
Email  
Web

+1 888 510 2893  
226-400-4101  
hello@muddconcrete.com  
muddconcrete.com

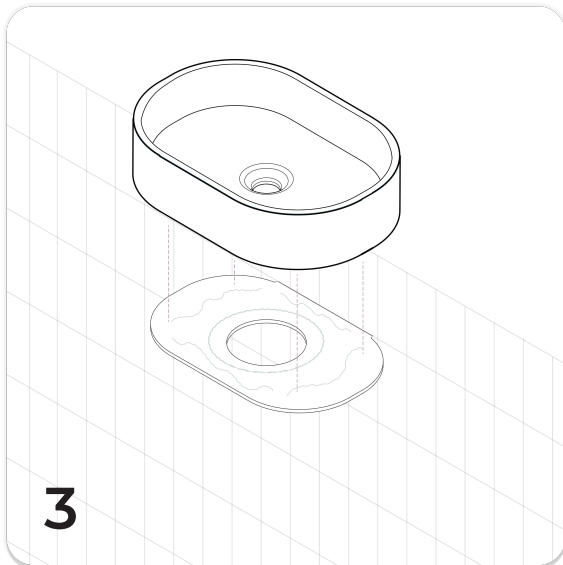


Install 2x6 timber backing, set back approx. 1/4" from stud face, at desired height. Screw in bracket to timber frame and secure in place.

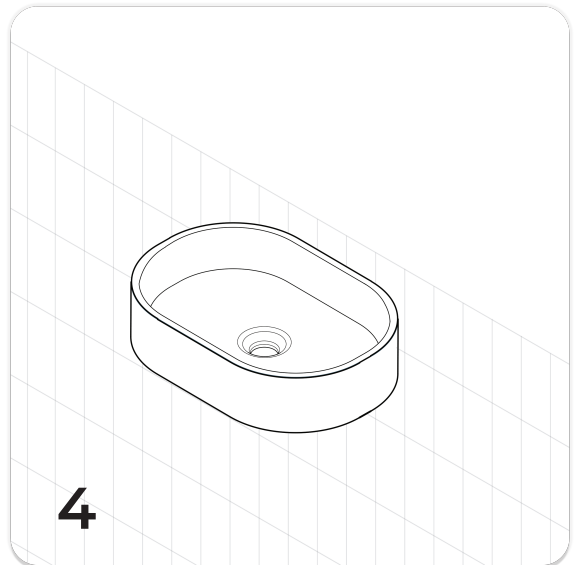
Note: if mounting directly onto masonry wall, use bolts to secure bracket.



Install wall finishing over timber frame and apply silicone directly onto bracket surface.



Carefully lower and place basin onto siliconed bracket firmly. Remove any excess silicone on the underside of the basin with a microfiber cloth.



Allow silicone to sit and dry for 12 hours prior to installing plumbing fixtures.

**After 12 hours, please refer to step 5, 6 and 7 of the *Installation Guide* to complete drain installation.**

## CONTACT

Toll Free +1 888 510 2893  
Phone 226-400-4101  
Email [hello@muddconcrete.com](mailto:hello@muddconcrete.com)  
Web [muddconcrete.com](http://muddconcrete.com)



# hello sink installer

please **carefully** read these instructions prior to install to avoid damage from mishandling and/or improper installation.

Please wait  
24 hrs before  
water testing

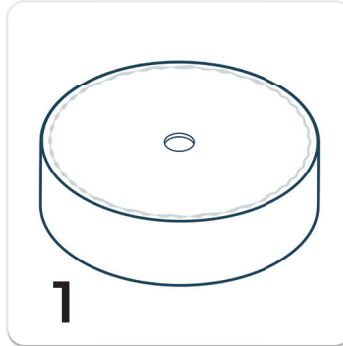
Do not place  
tools and  
fixtures near  
basin during  
install

## INSTALLATION GUIDE

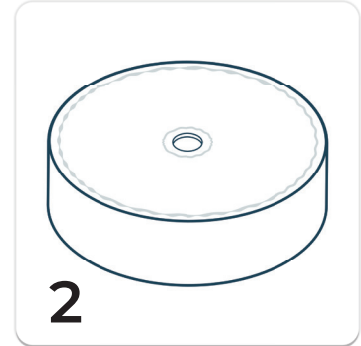


Cut large enough opening in surface (4" diameter) for plumbing to attach to basin **only**.

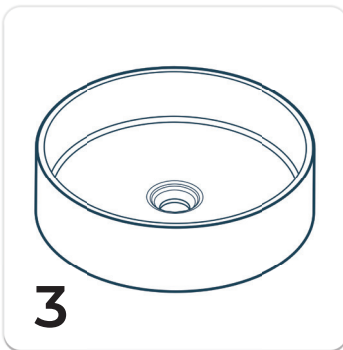
**Plumbing must attach to basin without interference.** Consequences of improper installation are over-tension causing cracking.



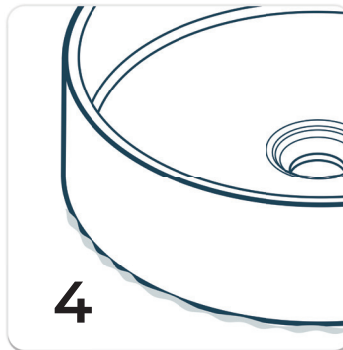
Run a **generous** amount of clear silicone around the underside of the basin 1" back from the outer edge.



Run another **generous** amount of clear silicone 2" back from the drain hole.



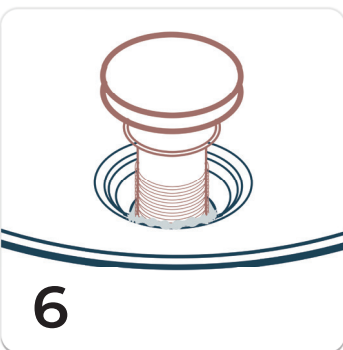
Flip and press down onto the surface. Remove excess silicone and wipe clean with a microfiber cloth.



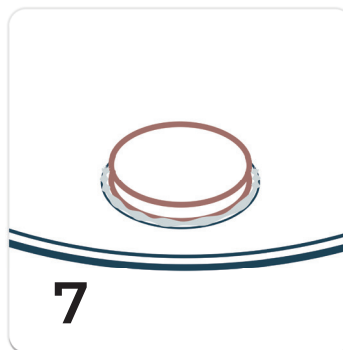
Run a bead of clear silicone to fill the gap between the basin and the surface. Smooth silicone off to a neat finish. Ensure edge is fully water-proofed. **Allow silicone to sit and dry for 12 hours prior to installing plumbing fixtures in step 5, 6 and 7.**



Run a **generous** amount of clear silicone around the drain rim. It is important that the silicone overflows when drain is placed through the opening.



Slide drain into place and add a **generous** amount of silicone to drain seal or nut underneath. Secure drain by hand tightening no more than a 1/8" turn. **Do not overtighten.**



Carefully push extra silicone around any gaps between drain and sink, as needed.

ta-da!