

## CONTACT

Toll Free +1 888 510 2893  
Phone 226-400-4101  
Email [hello@muddconcrete.com](mailto:hello@muddconcrete.com)  
Web [muddconcrete.com](http://muddconcrete.com)



# hello sink installer

please **carefully** read these instructions prior to install to avoid damage from mishandling and/or improper installation.

Please wait  
24 hrs before  
water testing

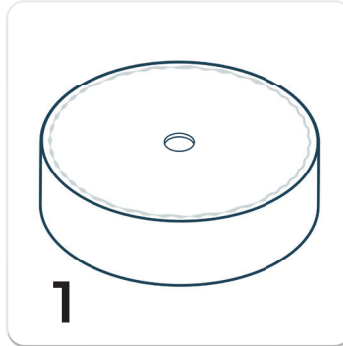
Do not place  
tools and  
fixtures near  
basin during  
install

## INSTALLATION GUIDE

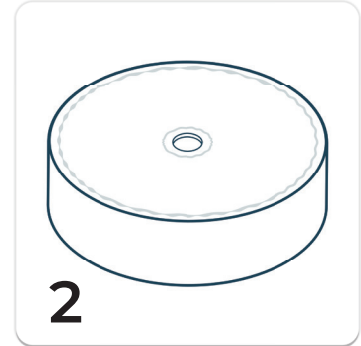


Cut large enough opening in surface (4" diameter) for plumbing to attach to basin **only**.

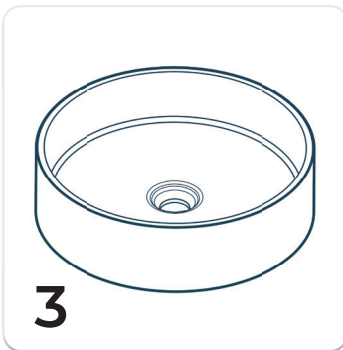
**Plumbing must attach to basin without interference.** Consequences of improper installation are over-tension causing cracking.



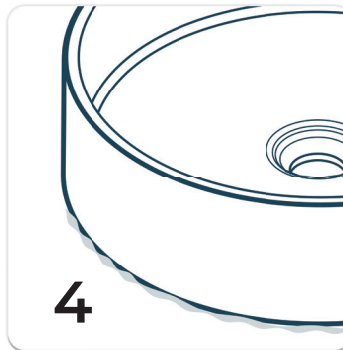
Run a **generous** amount of clear silicone around the underside of the basin 1" back from the outer edge.



Run another **generous** amount of clear silicone 2" back from the drain hole.



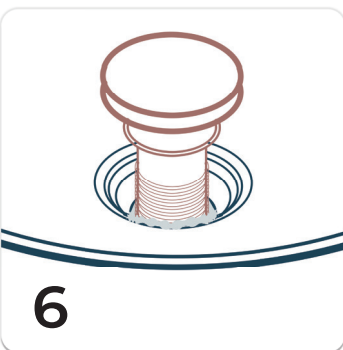
Flip and press down onto the surface. Remove excess silicone and wipe clean with a microfiber cloth.



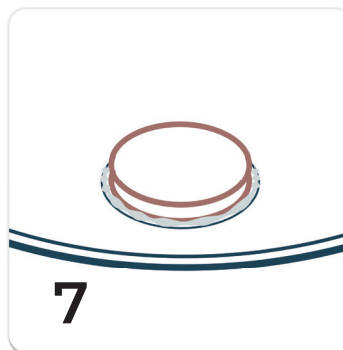
Run a bead of clear silicone to fill the gap between the basin and the surface. Smooth silicone off to a neat finish. Ensure edge is fully water-proofed. **Allow silicone to sit and dry for 12 hours prior to installing plumbing fixtures in step 5, 6 and 7.**



Run a **generous** amount of clear silicone around the drain rim. It is important that the silicone overflows when drain is placed through the opening.



Slide drain into place and add a **generous** amount of silicone to drain seal or nut underneath. Secure drain by hand tightening no more than a 1/8" turn. **Do not overtighten.**



Carefully push extra silicone around any gaps between drain and sink, as needed.

