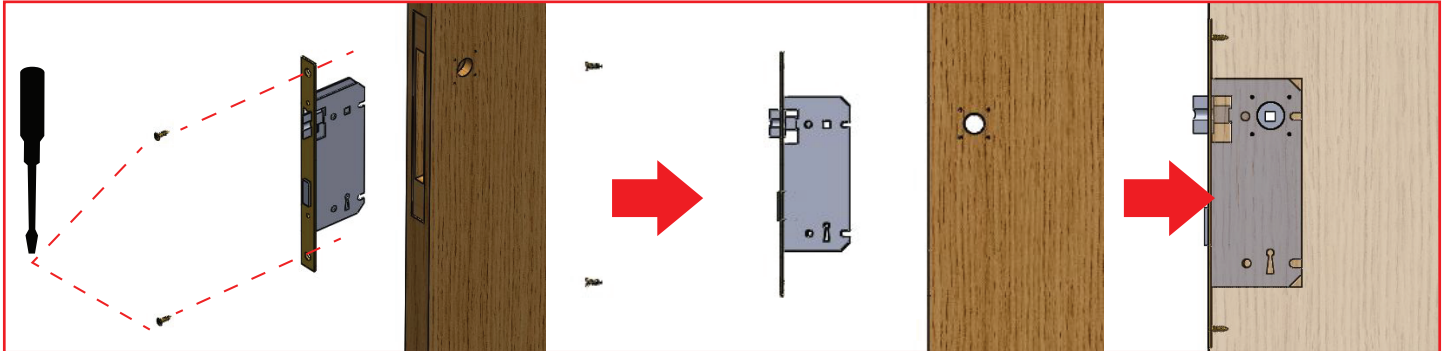




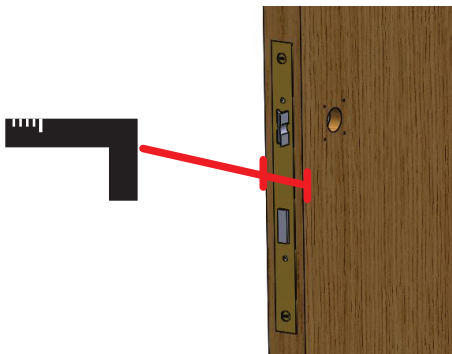
1. Mount

Mount the lock inside the slot of the door before placing the lever handles.

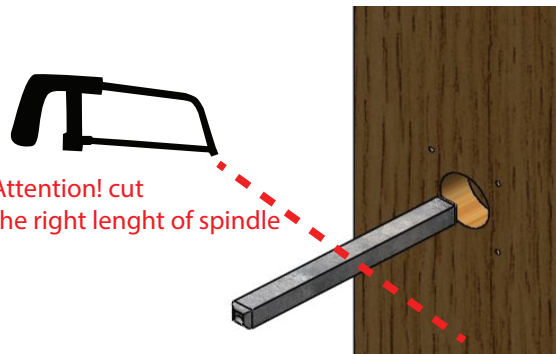


2. Measure

Measure the door thickness and adding 40 to 50 mm. Ensure to leave at least 25 mm length of spindle coming out on each side of the door. Then cut off the spindle. Beware that this length may change depending on the selected model.

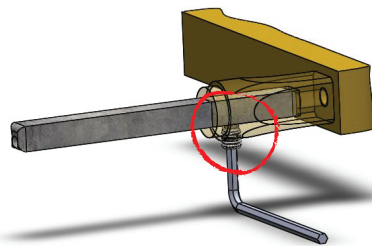


Attention! cut the right length of spindle



3. Identify

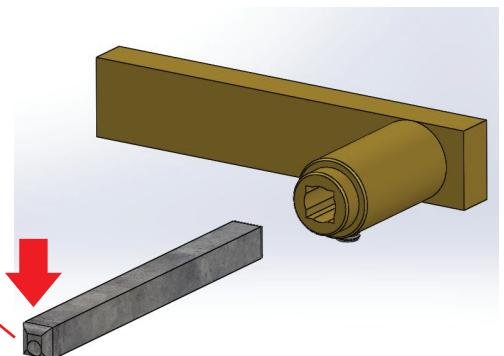
Identify the lever handles left and right by positioning the screw hole facing downwards and being hidden underneath.



4. Assemble

Assemble the spindle to one of the lever handles. Attention, the hole of the spindle is placed downwards next to the allen screw hole underneath the lever handle.

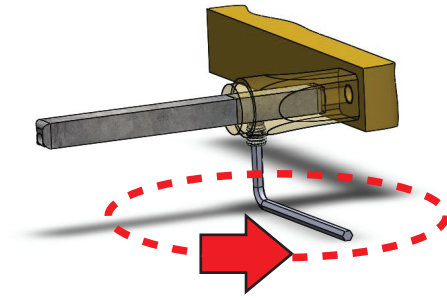
Attention! the hole must be facing downwards!





5. Screw

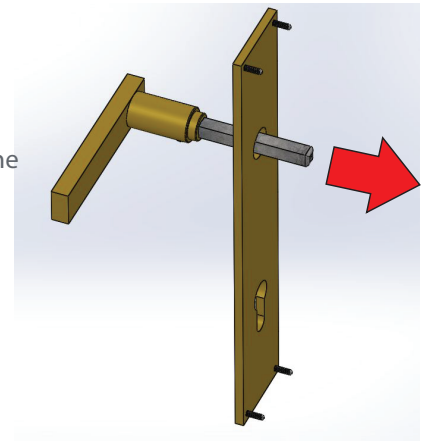
Screw with the aid of the hex wrench, clamp the spindle tightening it with the Allen screw M6



Attention: ensure that the bolt pierces the spindle and gets well clamped.

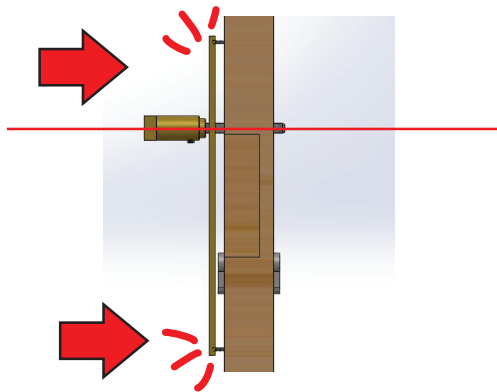
6. Slide

Slide in the spindle already mounted on a lever handle. Put all the pieces together before sliding them through the door lock



7. Check

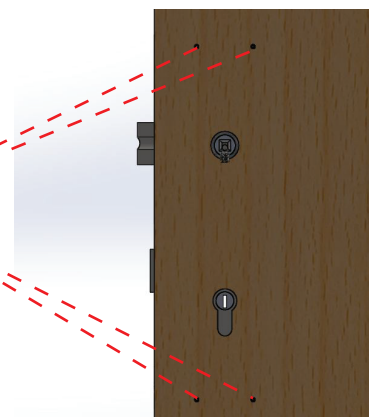
Check that the spindle is horizontal and press plate with the screw pins against the door giving it a gentle stroke and leaving a center mark on the door.



8. Drill

Drill the holes of diameter 3mm corresponding to the center marks of the plate on the door face. The depth of these holes should be around 10mm.

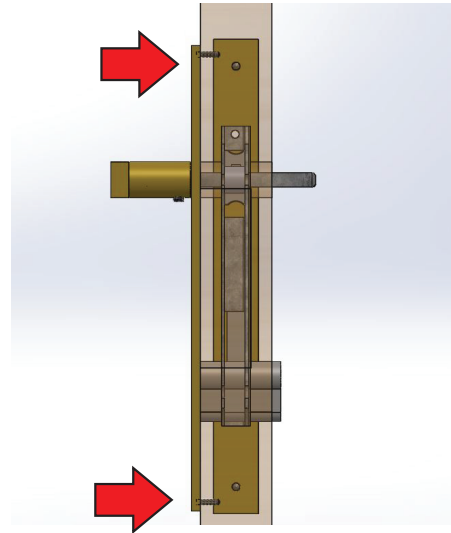
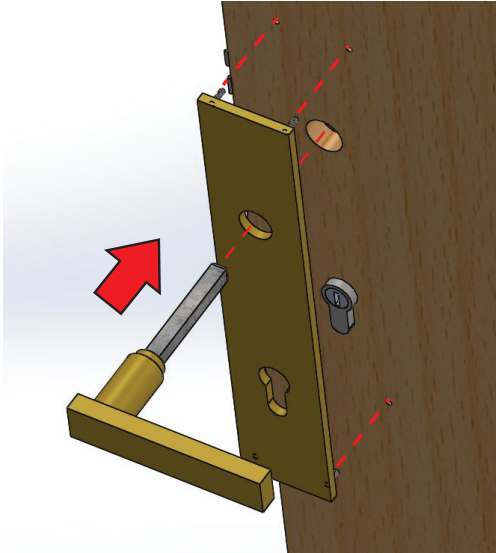
x4





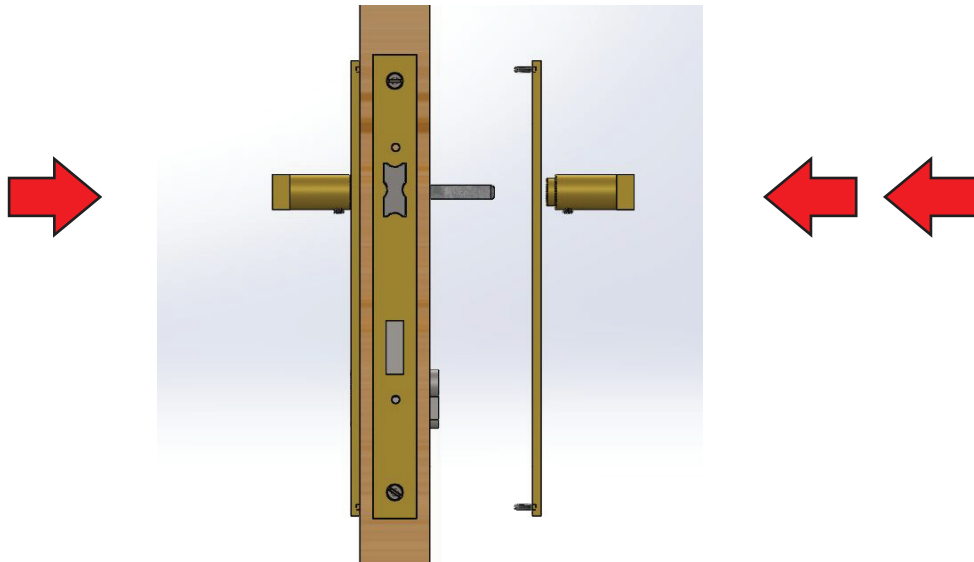
9. Mount

Mount the plate facing the holes, put the reinforce spring at the pocket at the back



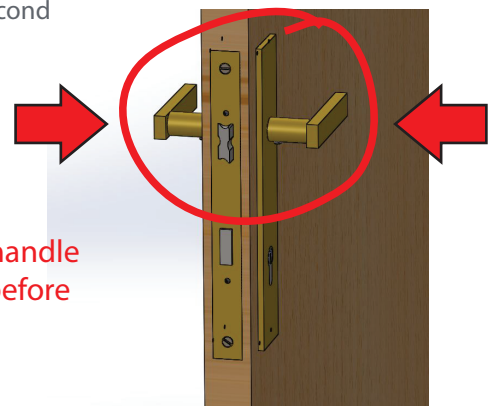
10. Place

Place the second lever handle with the plate on the other side of the door.



11. Repeat

Repeat the same steps to assemble the second lever handle on the other side of the door.



Attention: Be sure to put together tightly one lever handle against the other and against the door face as well before tightening the Allen screws.