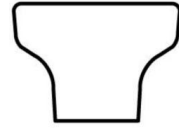




Concrete Casting Elements



POMOLO

Concrete is an extremely durable material, hence can be widely used in many applications. However the concrete, behaves like any rock, marble, ceramic can stain or scratch or break if not used with care. The material we use to manufacture our products is a kind of GFRC (glass fiber reinforced concrete). This is a sophisticated unique mixture of cement, additives, and conditioners aggregates, reinforced with fiber glass which ensures the highest quality.

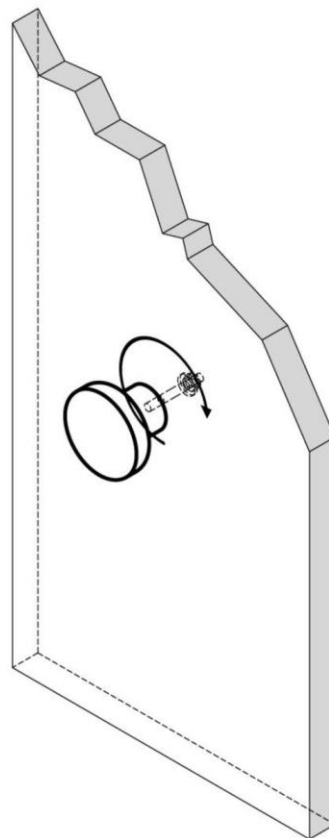
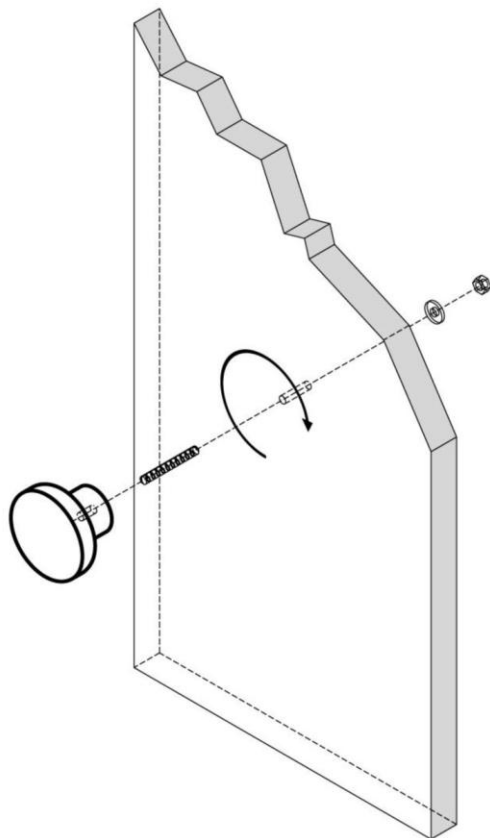
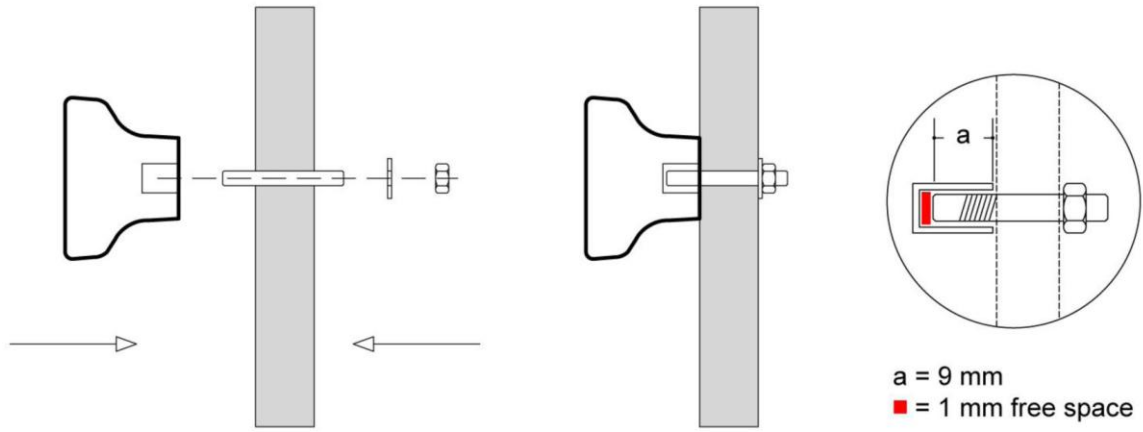
The knobs that we produce are tested in the lab at physiological conditions of use, that what had any other kind of knob and respond extremely well to specific requirements. However, you shouldn't ever try comparing the durability of a concrete knob with a metallic one.

The tests we've done, to use as a hanger, made us to identify the product's strengths in weight. And this is more than 6 kg

When mounting it, do not use metallic tools, just screw it by hand, as than it is enough to work, without having to exert too much pressure, remind this is not metal.

Tighten with care, do not over tighten

INSTALLATION IN CUP BOARD



INSTALLATION IN WALL

