

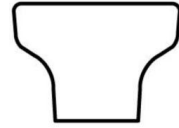
# POMOLO

D: 4 - 7 - 9 - 17 CM

M4 - M8



Concrete Casting Elements



# POMOLO

Concrete is an extremely durable material, hence can be widely used in many applications. However the concrete, behaves like any rock, marble, ceramic can stain or scratch or break if not used with care. The material we use to manufacture our products is a kind of GFRC (glass fiber reinforced concrete). This is a sophisticated unique mixture of cement, additives, and conditioners aggregates, reinforced with fiber glass which ensures the highest quality.

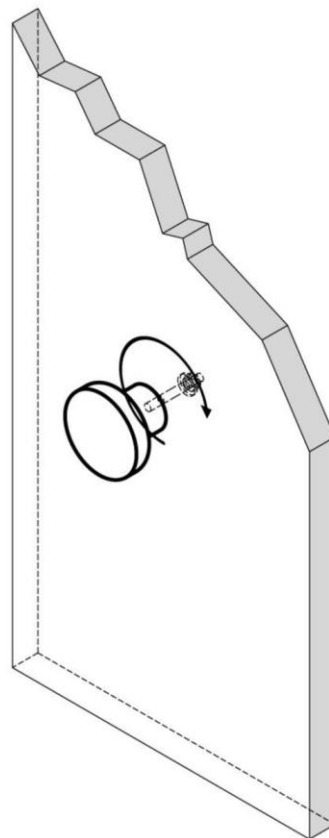
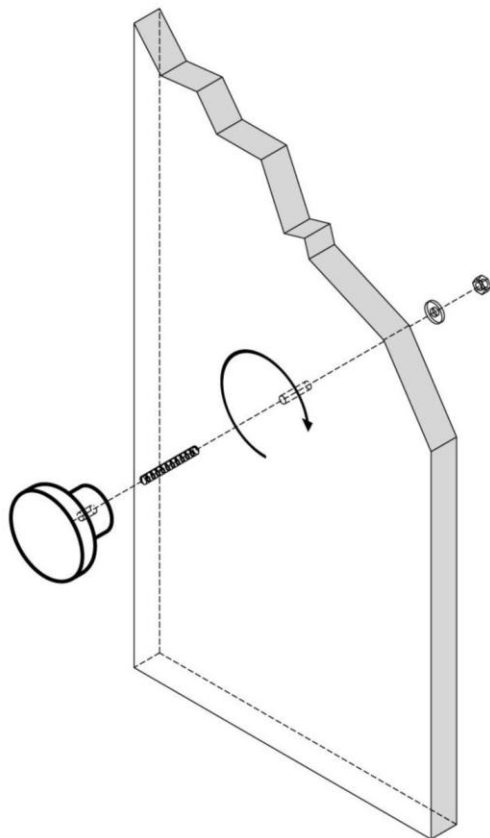
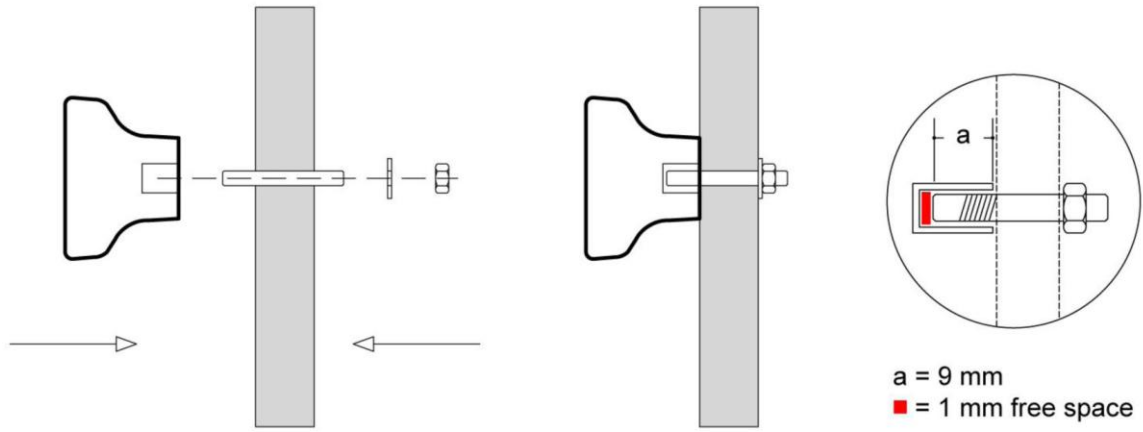
The knobs that we produce are tested in the lab at physiological conditions of use, that what had any other kind of knob and respond extremely well to specific requirements. However, you shouldn't ever try comparing the durability of a concrete knob with a metallic one.

The tests we've done, to use as a hanger, made us to identify the product's strengths in weight. And this is more than 6 kg

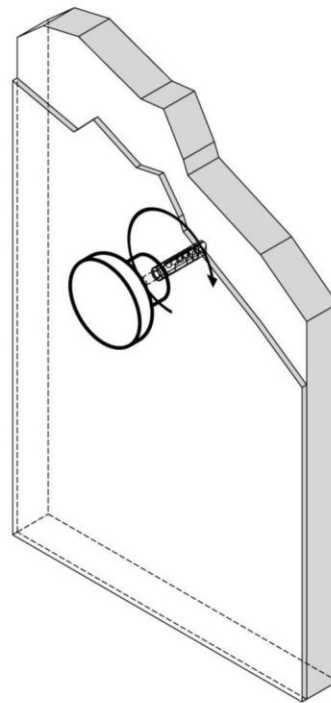
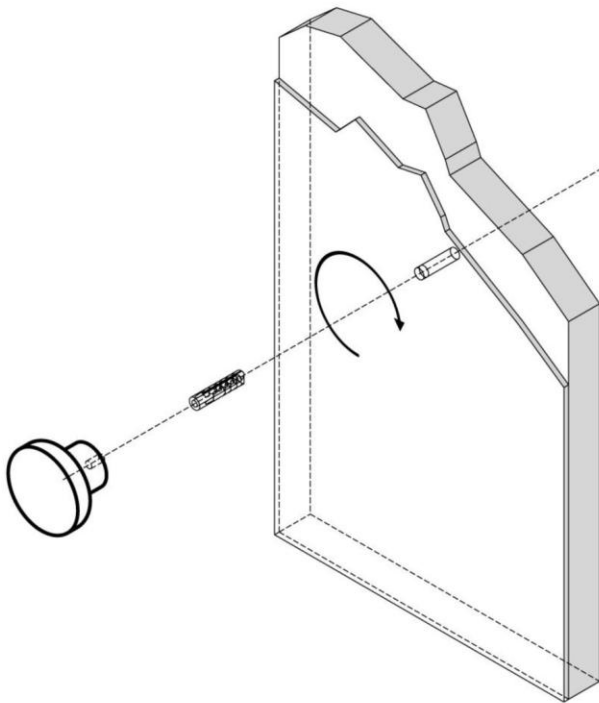
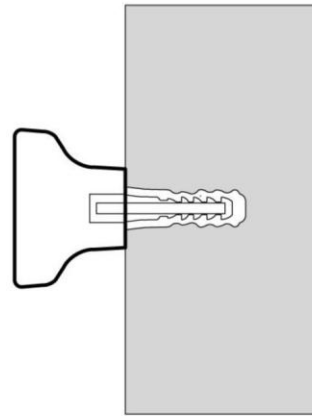
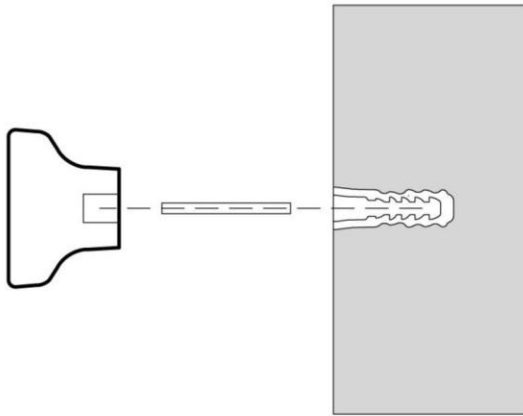
When mounting it, do not use metallic tools, just screw it by hand, as than it is enough to work, without having to exert too much pressure, remind this is not metal.

**Tighten with care, do not over tighten**

# INSTALLATION IN CUP BOARD



# INSTALLATION IN WALL





**“POMOLO”** Design by 2vlo Design Team in 2013.

A long time ago we had to find knobs for our office. Then, someone came up with the idea; instead of buying why not make knobs by concrete. We were already amazed by the potential of the material we use and therefore we did not hesitate to try it. The result was remarkable, and so we decided to complete the “pomolo” series with 4 sizes.

Our suggestion for this object is, except the cupboards or doors, it could be mounted on your bathroom wall, or living room wall, since “pomolo” can be used as a unique hanger.

## Properties

Our company specializes in the production of concrete design elements. The raw material that we use is a unique reinforced mixture of cement, additives enhancers, glass fiber and special aggregates. UHPC.(ultra high performance concrete) The durability of concrete is known from the building construction. However the untreated concrete is not ideal to construct functional object. Concrete is porous, so it absorbs and smudges easily. So, in order to be waterproof and protected from unwanted stains, is necessary the treatment and the sealing of the surface.

Pomolo is protected with penetrate liquids, breathable, which ensures the best natural result



## Aftercare

Each design object that is made of concrete, acquires value thanks to its uniqueness, its character, its aspect. By the selection of concrete, it will be supposed in advance that we have to respect its nature. We will be ready to make reprocesses in our habits. In order to its ageing will be done smoothly, we will attend it as much as it needs, without deterioration.

Although the concrete is a very hard material, it could break like a marble or a stone or ceramic. For this reason avoid the impact of heavy objects directly onto the concrete surface.

Please follow the instructions below to ensure the best possible maintenance of the product you selected.

The final properties are like a marble. Liquids with coloring should be swept and removed with water before dry. Be careful that no acids, alkalis or solvents, come into contact with the surface. If so, it should be removed immediately with water. Chlorine-based cleaning agents or alkalis are not recommended. We suggest the usage of lukewarm water with a mild detergent neutral when required and soft vettex cloths.

For the better maintenance we recommend to apply a wax time to time.

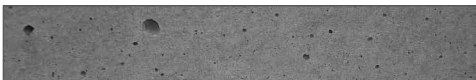
## Colors sort by category

Colored in its mass with pigments

•Basic

Dark Grey	Medium Grey	Light Grey	Ivory	Brown/Beige
-----------	-------------	------------	-------	-------------

Available in three shades of Grey, Ivory or Brown/Beige, with various grades of hue in every piece, as well as between the pieces. Every piece may appears with color tone variants at its surface, as also between the pieces or the sample.



Concrete surface displays several air holes.

This is a natural characteristic of concrete.

## Dimensions/Weight

Available in four sizes Small (**S**), Medium (**M**), Large (**L**), Extra Large (**XL**)

(**S**) D: 4,5 cm-M4

65gr

(**M**) D: 7,2 cm-M4

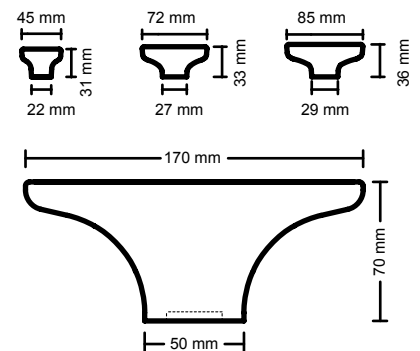
170gr

(**L**) D: 8,5 cm-M4/M8

250gr

(**XL**) D: 17 cm-M8(front door)

1,5kg



All rights reserved."Urbi et Orbi" brand and logos are registered trademarks. The industrial models of the product, the designation and the product photos are protected by the applicable copyright laws.

Urbi et Orbi reserves the right, in order to improve the capacities of the products, to make modifications to them, as if reference the raw materials, dimensions, weight, qualities or features, without prior notice.

