

PUSH-TO-OPEN DOOR LATCH



ML-ZN80

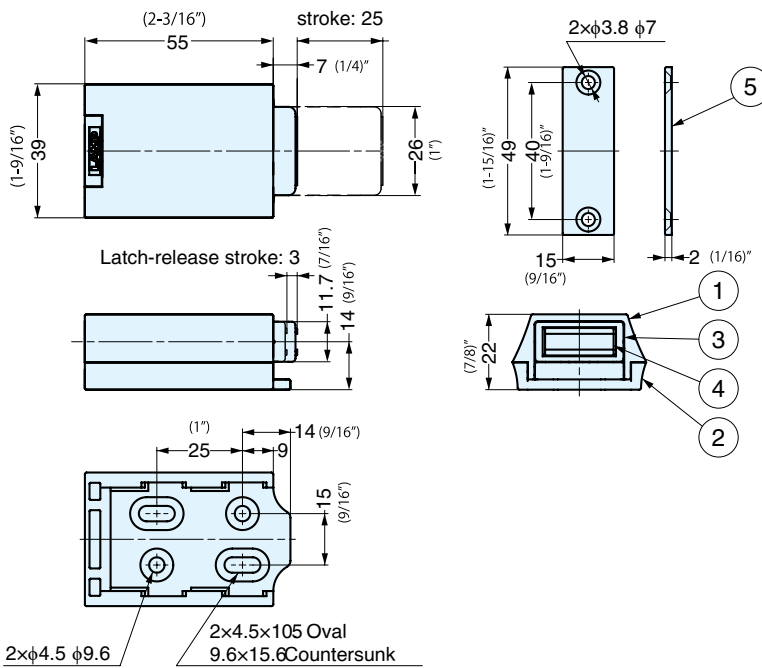


ML-ZN80WT



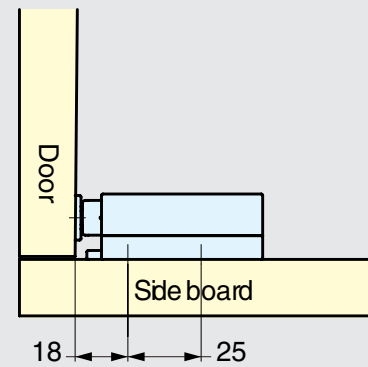
ML-ZN80BL

Strong 11 lbs push force ideal for large doors. (See HES3D-E190 Concealed Door Hinge Series on pg 184). Magnet allows tolerance with 1.5° swivel. Hidden Mounting Screw Design for clean appearance and easy installation. Passed 100,000 open/close private cycle test.

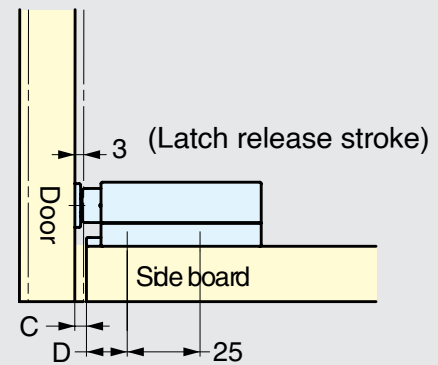


[Installation]

• Inset Doors



• Overlay Doors



Please make sure there is a "C Clearance" on the side board. It makes the installation easier to align the edge of the body to the edge of the side board.

No.	Part Name	Material	Finish/Color
1	Body	Zinc Alloy	White (WT), Black (BL)
2	Mounting Plate		
3	Latch	Plastic (PA)	-
4	Magnet	Ferrite	-
5	Strike Plate	Stainless Steel	Plain

Item No.	Magnetic Force (kg)	Push Force (kg)	Weight (g)	Box (pcs)	Carton (pcs)
ML-ZN80WT	3 (6.6 lbs)	5 (11 lbs)	160	10	40
ML-ZN80BL					