

PRODUCT DOCUMENTATION



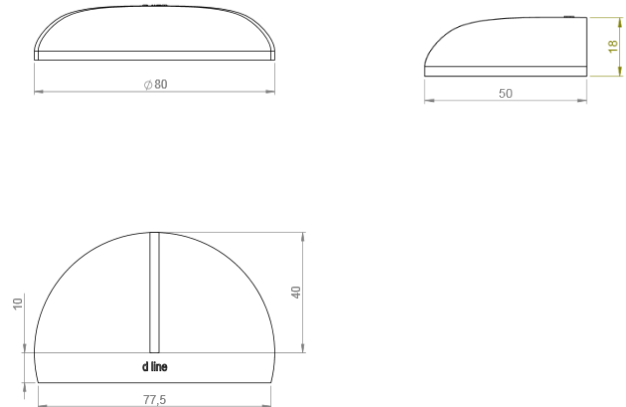
Product Name: Floor door stop turtle Ø80x15 mm

Article Number: 14.5080.02.015

Photo:



Drawing:



Product Information:

Material: AISI 316 stainless steel
Surface finish: Satin 320 grain or polished
Height: 18 mm Width: 80 mm Depth: 50 mm

Product Specification:

d line floor door stop turtle, Ø80x15 mm produced in AISI 316 stainless steel.

d line products are always produced in the highest quality stainless steel AISI 316. d line is a simple and functional design, but the minimalistic exterior hides advanced technic that ensures the hardware's strength and durability for many years.

Certificate: EN 179, EN 1906
Warranty: 20 years (non-mechanical/-electronic parts)

Spare Parts/Accessories:

-

Related Products:

14.5080.02.030 Door stop turtle Ø80x30 mm

Mounting:

See instruction supplied with the product

Packing:

1 piece in a bag.

Maintenance:

Wash down with mild detergent, rinse off with clean water, and dry off with soft dry cloth. Please do not use scouring powders, steel wool or aggressive cleaning products as these may damage the surface. If spots appear on the surface it is not due to the stainless steel, but to impurities in the environment or the use of aggressive cleaning agents.

Environment:

No environmental risk and no risk of fire.

PRODUCT DOCUMENTATION



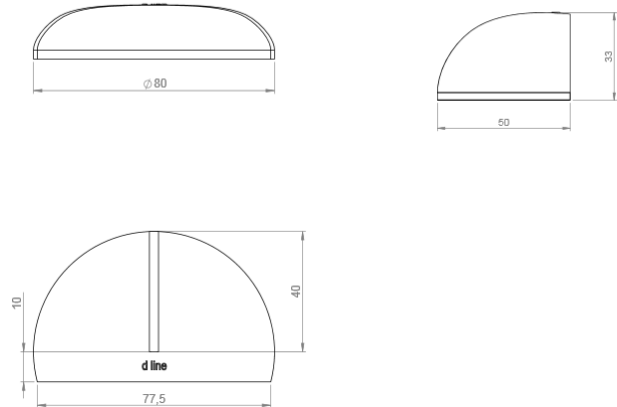
Product Name: Floor door stop turtle Ø80x30 mm

Article Number: 14.5080.02.030

Photo:



Drawing:



Product Information:

Material: AISI 316 stainless steel
Surface finish: Satin 320 grain or polished
Height: 33 mm Width: 80 mm Depth: 50 mm

Product Specification:

d line floor door stop turtle, Ø80x30 mm produced in AISI 316 stainless steel.

d line products are always produced in the highest quality stainless steel AISI 316. d line is a simple and functional design, but the minimalistic exterior hides advanced technic that ensures the hardware's strength and durability for many years.

Certificate: EN 179, EN 1906
Warranty: 20 years (non-mechanical/-electronic parts)

Spare Parts/Accessories:

-

Related Products:

14.5080.02.015 Door stop turtle Ø80x15 mm

Mounting:

See instruction supplied with the product

Packing:

1 piece in a bag.

Maintenance:

Wash down with mild detergent, rinse off with clean water, and dry off with soft dry cloth. Please do not use scouring powders, steel wool or aggressive cleaning products as these may damage the surface. If spots appear on the surface it is not due to the stainless steel, but to impurities in the environment or the use of aggressive cleaning agents.

Environment:

No environmental risk and no risk of fire.