

PRODUCT DOCUMENTATION



Product Name: Toilet indicator 5V90 w/solid rose

Article Number: 14.3470.02.152

Satin stainless steel

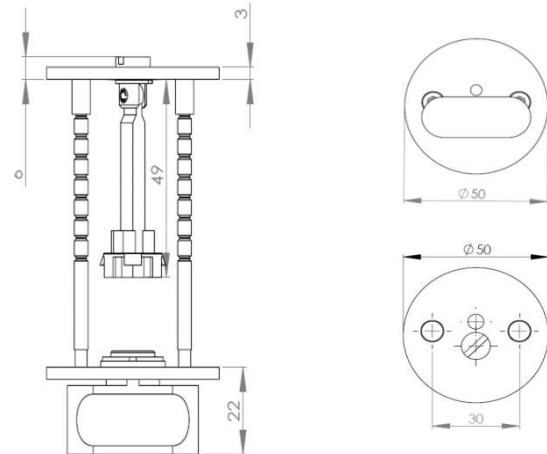
16.3475.01.151

Polished stainless steel

Photo:



Drawing:



Product Information:

Material: AISI 316 stainless steel
Surface finish: Satin 320 grain or polished
Material thickness/radius:
Height: Width: Depth:

Product Specification:

d line Toilet indicator 5V90 w/solid rose cc30 mm, 5,5 mm spindle, for doors 34-48 mm, AISI 316 ss

d line Toilet indicator 5V90 w/solid rose cc30 mm, 5,5 mm spindle, for doors 34-48 mm, AISI 316 pss

Certificate: EN 1906, Class 4
Warranty: 20 years (non-mechanical/-electronic parts)

d line products are always produced in the highest quality stainless steel AISI 316. d line is a simple and functional design, but the minimalistic exterior hides advanced technic that ensures the hardware's strenght and durability for many years.

Spare Parts/Accessories:

14.2961.74.107 Section bolt set M4x110 with bush

Related Products:

14.3469.02.150 Toilet indicator 5V90 w/snap on cover

Mounting:

See instruction supplied with the product

Packing:

1 pair in a bag, 10 bags per box

Maintenance:

Wash down with mild detergent, rinse off with clean water, and dry off with soft dry cloth. Please do not use scouring powders, steel wool or aggressive cleaning products as these may damage the surface. If spots appear on the surface it is not due to the stainless steel, but to impurities in the environment or the use of aggressive cleaning agents.

Environment:

No environmental risk and no risk of fire.

PRODUCT DOCUMENTATION



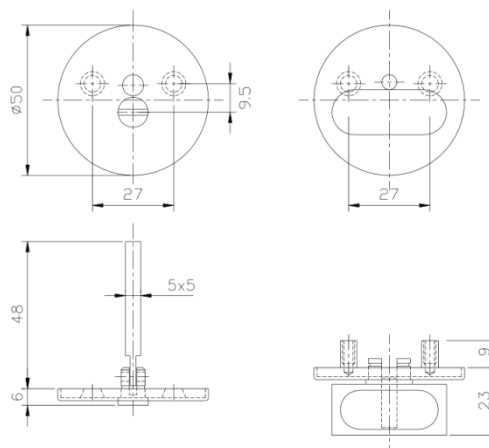
Product Name: Toilet indicator set, cc 27 mm,
Snap on, 5 mm spindle, 180°

Article Number: 14.3475.02.104
Satin stainless steel
16.3475.01.104
Polished stainless steel

Photo:



Drawing:



Product Information:

Material: AISI 316 stainless steel
Surface finish: Satin 320 grain or polished
Height: 48 mm Width: 50 mm Depth: 23 mm

Product Specification:

d line toilet indicator set, cc 27 mm, snap on cover, 5V180 produced in AISI 316 satin or polished stainless steel.

d line products are always produced in the highest quality stainless steel AISI 316. d line is a simple and functional design, but the minimalistic exterior hides advanced technic that ensures the hardware's strength and durability for many years.

Certificate: EN 179, EN 1906
Warranty: 20 years (non-mechanical/-electronic parts)

Spare Parts/Accessories:

14.2961.74.107 Section bolt set M4x110, with bush

Related Products:

14.3469.02.150 Toilet indicator 5V90 w/snap on

Mounting:

See instruction supplied with the product

Packing:

1 piece in a bag.

Maintenance:

Wash down with mild detergent, rinse off with clean water, and dry off with soft dry cloth. Please do not use scouring powders, steel wool or aggressive cleaning products as these may damage the surface. If spots appear on the surface it is not due to the stainless steel, but to impurities in the environment or the use of aggressive cleaning agents.

Environment:

No environmental risk and no risk of fire.

PRODUCT DOCUMENTATION



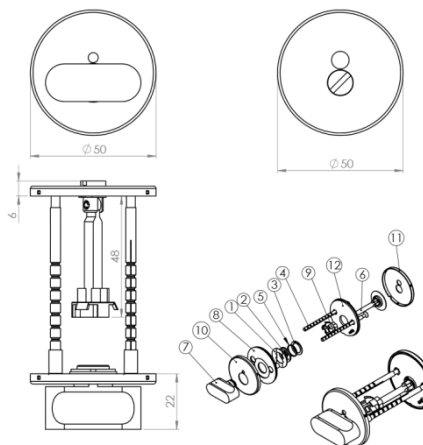
Product Name: Toilet indicator set, cc 30 mm,
Snap on, 5 mm spindle, 90°

Article Number: 14.3475.02.155
Satin stainless steel
16.3475.01.155
Polished stainless steel

Photo:



Drawing:



Product Information:

Material: AISI 316 stainless steel
Surface finish: Satin 320 grain or polished
Height: 48 mm Width: 50 mm Depth: 22 mm

Product Specification:

d line toilet indicator set, cc 30 mm, snap on cover, 5V90 produced in AISI 316 satin or polished stainless steel.

d line products are always produced in the highest quality stainless steel AISI 316. d line is a simple and functional design, but the minimalistic exterior hides advanced technic that ensures the hardware's strength and durability for many years.

Certificate: EN 179, EN 1906
Warranty: 20 years (non-mechanical/-electronic parts)

Spare Parts/Accessories:

14.2961.74.107 Section bolt set M4x110, with bush

Related Products:

14.3469.02.150 Toilet indicator 5V90 w/snap on

Mounting:

See instruction supplied with the product

Packing:

1 piece in a bag.

Maintenance:

Wash down with mild detergent, rinse off with clean water, and dry off with soft dry cloth. Please do not use scouring powders, steel wool or aggressive cleaning products as these may damage the surface. If spots appear on the surface it is not due to the stainless steel, but to impurities in the environment or the use of aggressive cleaning agents.

Environment:

No environmental risk and no risk of fire.

PRODUCT DOCUMENTATION



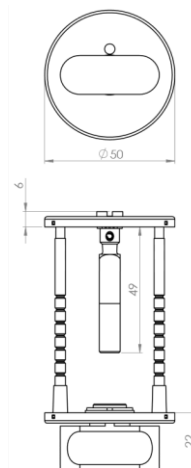
Product Name: Toilet indicator set, cc 38 mm,
Snap on, 8 mm spindle, 90°

Article Number: 14.3475.02.309
Satin stainless steel
16.3475.01.309
Polished stainless steel

Photo:



Drawing:



Product Information:

Material: AISI 316 stainless steel
Surface finish: Satin 320 grain or polished
Height: 49 mm Width: 50 mm Depth: 22 mm

Product Specification:

d line toilet indicator set, cc 38 mm, snap on cover, 8L90 produced in AISI 316 satin or polished stainless steel.

d line products are always produced in the highest quality stainless steel AISI 316. d line is a simple and functional design, but the minimalistic exterior hides advanced technic that ensures the hardware's strength and durability for many years.

Certificate: EN 179, EN 1906
Warranty: 20 years (non-mechanical/-electronic parts)

Spare Parts/Accessories:

14.2961.74.107 Section bolt set M4x110, with bush

Related Products:

14.3469.02.150 Toilet indicator 5V90 w/snap on

Mounting:

See instruction supplied with the product

Packing:

1 piece in a bag.

Maintenance:

Wash down with mild detergent, rinse off with clean water, and dry off with soft dry cloth. Please do not use scouring powders, steel wool or aggressive cleaning products as these may damage the surface. If spots appear on the surface it is not due to the stainless steel, but to impurities in the environment or the use of aggressive cleaning agents.

Environment:

No environmental risk and no risk of fire.

PRODUCT DOCUMENTATION



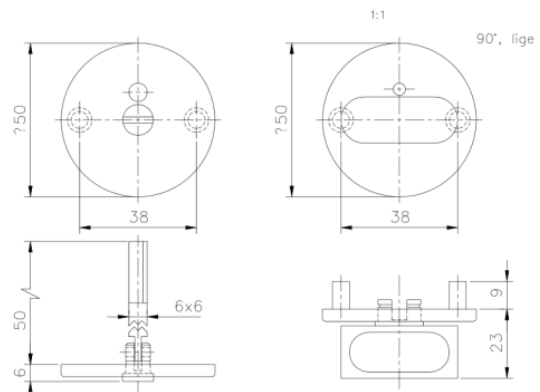
Product Name: Toilet indicator set, cc 38 mm,
Snap on, 6 mm spindle, 90°

Article Number: 14.3475.02.503
Satin stainless steel
16.3475.01.503
Polished stainless steel

Photo:



Drawing:



Product Information:

Material: AISI 316 stainless steel
Surface finish: Satin 320 grain or polished
Height: 50 mm Width: 50 mm Depth: 23 mm

Product Specification:

d line toilet indicator set, cc 38 mm, snap on cover, 6L90 produced in AISI 316 satin or polished stainless steel.

d line products are always produced in the highest quality stainless steel AISI 316. d line is a simple and functional design, but the minimalistic exterior hides advanced technic that ensures the hardware's strength and durability for many years.

Certificate: EN 179, EN 1906
Warranty: 20 years (non-mechanical/-electronic parts)

Spare Parts/Accessories:

14.2961.74.107 Section bolt set M4x110, with bush

Related Products:

14.3469.02.150 Toilet indicator 5V90 w/snap on

Mounting:

See instruction supplied with the product

Packing:

1 piece in a bag.

Maintenance:

Wash down with mild detergent, rinse off with clean water, and dry off with soft dry cloth. Please do not use scouring powders, steel wool or aggressive cleaning products as these may damage the surface. If spots appear on the surface it is not due to the stainless steel, but to impurities in the environment or the use of aggressive cleaning agents.

Environment:

No environmental risk and no risk of fire.