

Flush pull toilet indicator



Flush pull toilet indicator



Description

Toilet flush pull $\varnothing 50$ 5V90

Toilet flush pull $\varnothing 50$ 6V90

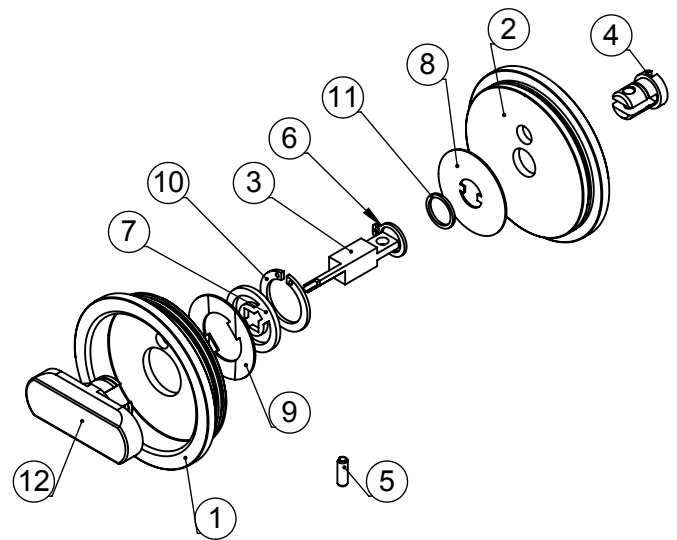
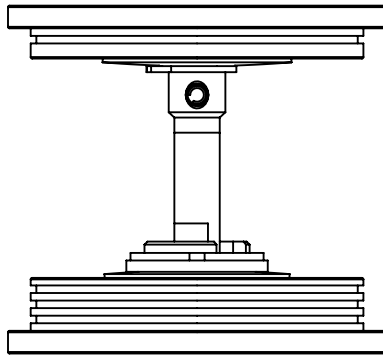
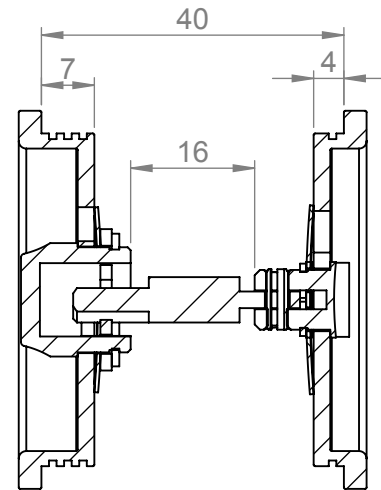
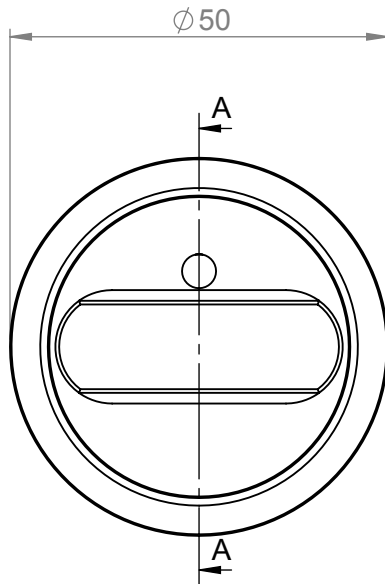
Toilet flush pull $\varnothing 50$ 8L90

Item number

14.3974.02.095

14.3974.02.096

14.3974.02.098



Pos No.	Part Number	Description		QTY.
1	D 5119	Toilet flush Ø50	for snipturn	1
2	D 5120	Flush pull toilet for marking	Roses Ø50	1
3	D 5121	Spindel	6x6xmm	1
4	D 104	Axeltap		1
5	D 72	Tuberivet Spannstifte	DIN 1481, 2,5 x 8	1
6	DIN 471-A8	Circlip ring		1
7	D 67	Guide washer		1
8	D 3937	Marker washer, type 53		1
9	D 4188	Marker washer, type 42		1
10	AV 14	Circlip ring for shaft		1
11	D 971	Intermediate washer, axel tap	Toilet indicator with clips	1
12	D 5127	Snib turn 45 gr	Flush pull handle Round Ø50	1

Subject:

**Flush pull handle, Round 6V90
Ø50mm**

category: Flush Pull Handle

Sign.: tgr

Appr. date:

Date: 01/12-2011

Latest release.:

Material: Stainless Steel
Brushed

Drawing no.:

Status:

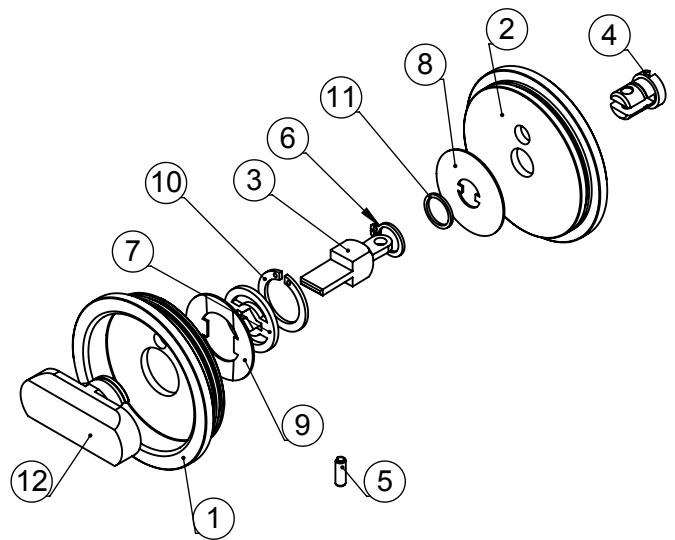
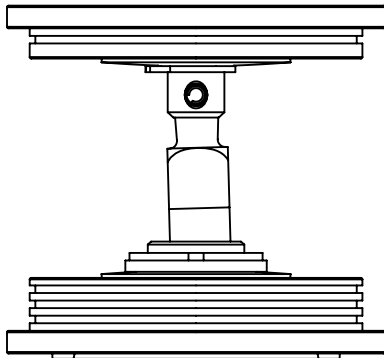
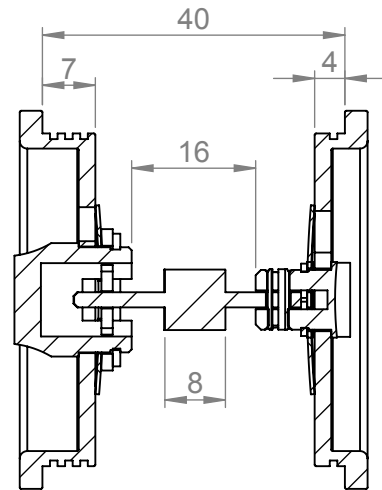
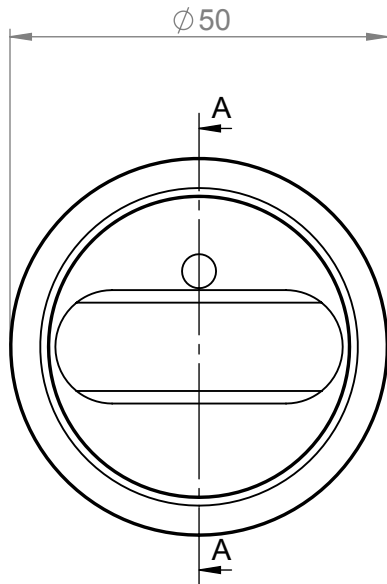
Cat 5

Approved by:

Dimension without tolerance, follows DS/ISO 2768-mK.
This drawing is the property of d line a/s, and is not to be copied or shown to third parties.

14.3974.02.096

d line
KNUD HOLSCHER DESIGN



Pos No.	Part Number	Description		QTY.
1	D 5119	Toilet flush Ø50	for snipturn	1
2	D 5120	Flush pull toilet for marking	Roses Ø50	1
3	D 5130	Spindle 8x8x30mm	Flush pull handle Round Ø50	1
4	D 104	Axeltap		1
5	D 72	Tuberivet Spannstifte	DIN 1481, 2,5 x 8	1
6	DIN 471-A8	Circlip ring		1
7	D 67	Guide washer		1
8	D 3937	Marker washer, type 53		1
9	D 3374	Marker washer, type 32		1
10	AV 14	Circlip ring for shaft		1
11	D 971	Intermediate washer, axel tap	Toilet indicator with clips	1
12	D 5128	Snip Turns	Flush pull handle Round Ø50	1

Subject:

**Flush pull handle, Round 8L90
Ø50mm**

category: Flush Pull Handle

Sign.: tgr

Date: 01/12-2011

Approved by:

Appr. date:

Dimension without tolerance, follows DS/ISO 2768-mK.
This drawing is the property of d line a/s, and is not to be copied or shown to third parties.

Latest release.:

Status:

Cat 5

Material: Stainless Steel
Brushed

Drawing no.:

14.3974.02.098

d line
KNUD HOLSCHER DESIGN