

PRODUCT DOCUMENTATION



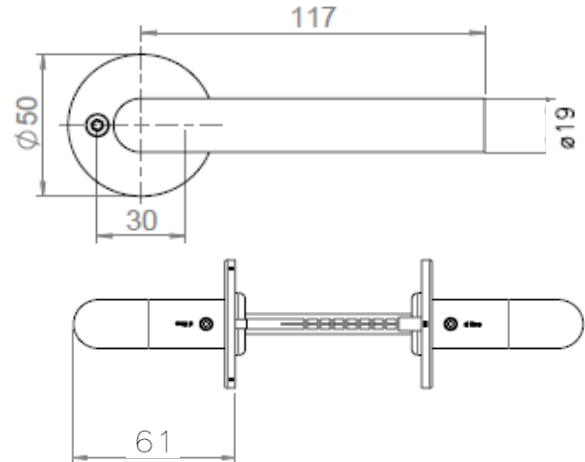
Product Name: Lever handle 19 L w/solid roses

Article Number: 14.1611.02.017
Satin stainless steel
16.1611.01.017
Polished stainless steel

Photo:



Drawing:



Product Information:

Material: AISI 316 stainless steel
Surface finish: Satin 320 grain or polished
Material thickness/radius: $\varnothing 19$ mm
Height: Width: Depth:
50 mm 142 mm 61 mm

Product Specification:

d line 19 mm L shaped door handle w/ball bearing solid roses cc30 mm, 8x8 mm spindle, for doors 33-59 mm, AISI 316 sss

d line 19 mm L shaped door handle w/ball bearing solid roses cc30 mm, 8x8 mm spindle, for doors 33-59 mm, AISI 316 pss

Certificate: EN 1906, Class 4
Warranty: 20 years (non-mechanical/-electronic parts)

d line products are always produced in the highest quality stainless steel AISI 316. d line is a simple and functional design, but the minimalistic exterior hides advanced technic that ensures the hardware's strenght and durability for many years.

Spare Parts/Accessories:

14.9701.02.019 Crub screw M5x8,3
14.2961.74.107 Section bolt set M4x110 with bush
14.2810.92.092 Spindle for door 33-59 mm
14.9767.00.105 TX10 tool kit

Related Products:

14.1616.02.011 19 mm L lever w/snap on covers

Mounting:

See instruction supplied with the product

Packing:

1 pair in a bag, 5 bags per box

Maintenance:

Wash down with mild detergent, rinse off with clean water, and dry off with soft dry cloth. Please do not use scouring powders, steel wool or aggressive cleaning products as these may damage the surface. If spots appear on the surface it is not due to the stainless steel, but to impurities in the environment or the use of aggressive cleaning agents.

Environment:

No environmental risk and no risk of fire.

PRODUCT DOCUMENTATION



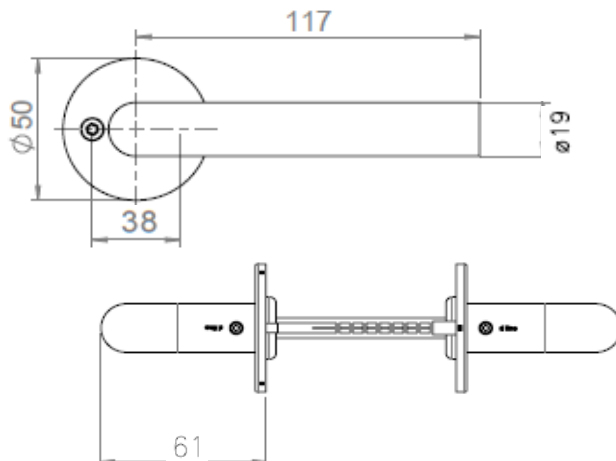
Product Name: Lever handle 19 L w/solid roses

Article Number: 14.1612.02.010
Satin stainless steel
16.1612.01.010
Polished stainless steel

Photo:



Drawing:



Product Information:

Material: AISI 316 stainless steel
Surface finish: Satin 320 grain or polished
Material thickness/radius: $\varnothing 19$ mm
Height: 50 mm Width: 142 mm Depth: 61 mm

Product Specification:

d line 19 mm L shaped door handle w/ball bearing solid roses cc38 mm, 8x8 mm spindle, for doors 33-59 mm, AISI 316 sss

d line 19 mm L shaped door handle w/ball bearing solid roses cc38 mm, 8x8 mm spindle, for doors 33-59 mm, AISI 316 pss

Certificate: EN 1906, Class 4
Warranty: 20 years (non-mechanical/-electronic parts)

d line products are always produced in the highest quality stainless steel AISI 316. d line is a simple and functional design, but the minimalistic exterior hides advanced technic that ensures the hardware's strenght and durability for many years.

Spare Parts/Accessories:

14.9701.02.019 Crub screw M5x8,3
14.2961.74.107 Section bolt set M4x110 with bush
14.2810.92.092 Spindle for door 33-59 mm
14.9767.00.105 TX10 tool kit

Related Products:

14.1616.02.011 19 mm L lever w/snap on covers

Mounting:

See instruction supplied with the product

Packing:

1 pair in a bag, 5 bags per box

Maintenance:

Wash down with mild detergent, rinse off with clean water, and dry off with soft dry cloth. Please do not use scouring powders, steel wool or aggressive cleaning products as these may damage the surface. If spots appear on the surface it is not due to the stainless steel, but to impurities in the environment or the use of aggressive cleaning agents.

Environment:

No environmental risk and no risk of fire.

PRODUCT DOCUMENTATION



Product Name: Lever handle 19L, pair 8x8

Article Number: 14.1612.02.020

Satin stainless steel

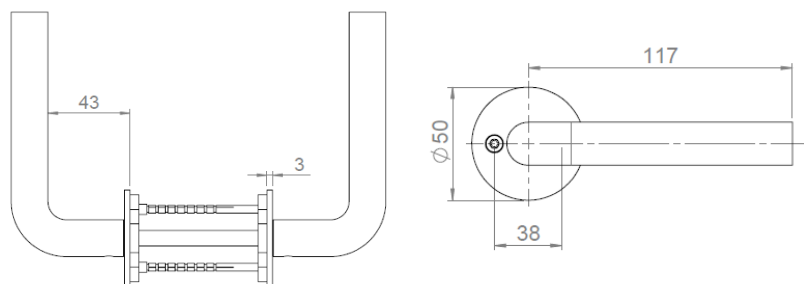
16.1612.02.020

Polished stainless steel

Photo:



Drawing:



Product Information:

Material: AISI 316 stainless steel
Surface finish: Satin 320 grain or polished
Material thickness/radius: \varnothing 19 mm
Height: 50 mm Width: 140 mm Depth: 62 mm

Product Specification:

d line 19 mm L shaped lever handle, w/ball bearing solid roses cc 38 mm, 8x8 mm spindle, for doors 59-85, AISI 316 sss.

d line 19 mm L shaped lever handle, for 8x8 mm spindle, AISI 316 satin finish stainless steel

Certificate: EN 1906, Class 4
Warranty: 20 years (non-mechanical/-electronic parts)

d line products are always produced in the highest quality stainless steel AISI 316. d line is a simple and functional design, but the minimalistic exterior hides advanced technic that ensures the hardware's strenght and durability for many years.

Spare Parts/Accessories:

All ball bearing roses and back plates made by d line, screws, spindles and tools available.

14.9701.02.016 Crub screw M5x6,3
14.2961.74.107 Section bolt set M4x110 with bush
14.2810.92.092 Spindle for door 33-59 mm
14.2935.00.089 Fixing tool f/ball bearing roses

Related Products:

Mounting:

See instruction supplied with the product

Packing:

1 pair in a bag, 5 bags per box

Maintenance:

Wash down with mild detergent, rinse off with clean water, and dry off with soft dry cloth. Please do not use scouring powders, steel wool or aggressive cleaning products as these may damage the surface. If spots appear on the surface it is not due to the stainless steel, but to impurities in the environment or the use of aggressive cleaning agents.

Environment:

No environmental risk and no risk of fire.

PRODUCT DOCUMENTATION



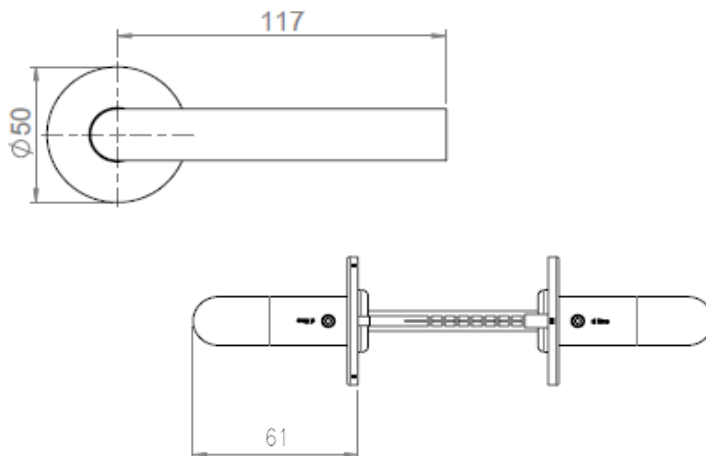
Product Name: Lever handle 19 L w/snap on roses

Article Number: 14.1616.02.010
Satin stainless steel
16.1616.01.010
Polished stainless steel

Photo:



Drawing:



Product Information:

Material: AISI 316 stainless steel
Surface finish: Satin 320 grain or polished
Material thickness/radius: \varnothing 19 mm
Height: Width: Depth:
50 mm 142 mm 61 mm

Product Specification:

d line 19 mm L shaped door handle w/ball bearing snap on cover roses cc30/38 mm, 8x8 mm spindle, for doors 33-59 mm, AISI 316 sss

d line 19 mm L shaped door handle w/ball bearing snap on cover roses cc30/38 mm, 8x8 mm spindle, for doors 33-59 mm, AISI 316 pss

Certificate: EN 1906, Class 4
Warranty: 20 years (non-mechanical/-electronic parts)

d line products are always produced in the highest quality stainless steel AISI 316. d line is a simple and functional design, but the minimalistic exterior hides advanced technic that ensures the hardware's strenght and durability for many years.

Spare Parts/Accessories:

14.9701.02.019 Crub screw M5x8,3
14.2961.74.107 Section bolt set M4x110 with bush
14.2810.92.092 Spindle for door 33-59 mm
14.9767.00.105 TX10 tool kit
14.2930.02.002 Snap on cover tool

Related Products:

14.1611.02.017 19 mm L lever w/solid roses cc30 mm
14.1612.02.010 19 mm L lever w/solid roses cc38 mm
One or the other - depending from the lockcase

Mounting:

See instruction supplied with the product

Packing:

1 pair in a bag, 5 bags per box

Maintenance:

Wash down with mild detergent, rinse off with clean water, and dry off with soft dry cloth. Please do not use scouring powders, steel wool or aggressive cleaning products as these may damage the surface. If spots appear on the surface it is not due to the stainless steel, but to impurities in the environment or the use of aggressive cleaning agents.

Environment:

No environmental risk and no risk of fire.

PRODUCT DOCUMENTATION



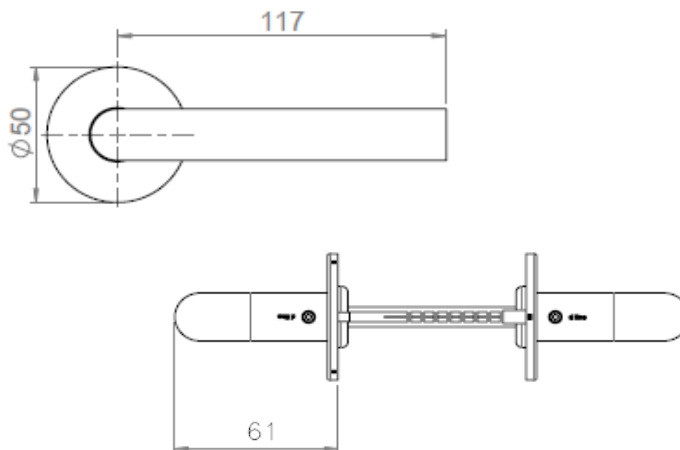
Product Name: Lever handle 19 L w/snap on roses

Article Number: 14.1616.02.028
Satin stainless steel
16.1616.01.028
Polished stainless steel

Photo:



Drawing:



Product Information:

Material: AISI 316 stainless steel
Surface finish: Satin 320 grain or polished
Material thickness/radius: $\varnothing 19$ mm
Height: Width: Depth:
50 mm 142 mm 61 mm

Product Specification:

d line 19 mm L shaped door handle w/ball bearing snap on cover roses cc30/38 mm, 8x8 mm spindle, for doors 59-85 mm, AISI 316 sss

d line 19 mm L shaped door handle w/ball bearing snap on cover roses cc30/38 mm, 8x8 mm spindle, for doors 59-85 mm, AISI 316 pss

Certificate: EN 1906, Class 4
Warranty: 20 years (non-mechanical/-electronic parts)

d line products are always produced in the highest quality stainless steel AISI 316. d line is a simple and functional design, but the minimalistic exterior hides advanced technic that ensures the hardware's strenght and durability for many years.

Spare Parts/Accessories:

14.9701.02.019 Crub screw M5x8,3
14.2961.74.107 Section bolt set M4x110 with bush
14.2810.92.116 Spindle for door 59-85 mm
14.9767.00.105 TX10 tool kit
14.2930.02.002 Snap on cover tool

Related Products:

14.1611.02.025 19 mm L lever w/solid roses cc30 mm
14.1612.02.020 19 mm L lever w/solid roses cc38 mm
One or the other - depending from the lockcase

Mounting:

See instruction supplied with the product

Packing:

1 pair in a bag, 5 bags per box

Maintenance:

Wash down with mild detergent, rinse off with clean water, and dry off with soft dry cloth. Please do not use scouring powders, steel wool or aggressive cleaning products as these may damage the surface. If spots appear on the surface it is not due to the stainless steel, but to impurities in the environment or the use of aggressive cleaning agents.

Environment:

No environmental risk and no risk of fire.

PRODUCT DOCUMENTATION



Product Name: Lever handle 19L half w/snap on cover

Article Number: 14.1616.02.907

Satin stainless steel

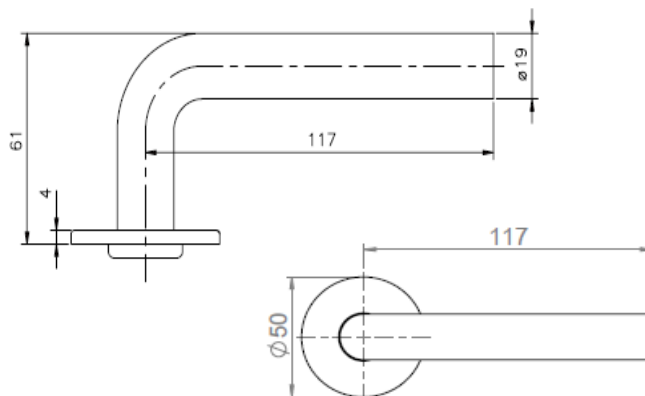
16.1616.01.907

Polished stainless steel

Photo:



Drawing:



Product Information:

Material: AISI 316 stainless steel
Surface finish: Satin 320 grain or polished
Material thickness/radius: $\varnothing 19$ mm
Height: 50 mm Width: 142 mm Depth: 61 mm

Product Specification:

d line 19 mm L shaped lever handle w/ball bearing snap on cover rose cc30/38 mm, for 8x8 mm spindle, AISI 316 satin stainless steel

d line 19 mm L shaped lever handle w/ball bearing snap on cover rose cc30/38 mm, for 8x8 mm spindle, AISI 316 polished stainless steel

Certificate: EN 1906, Class 4
Warranty: 20 years (non-mechanical/-electronic parts)

d line products are always produced in the highest quality stainless steel AISI 316. d line is a simple and functional design, but the minimalistic exterior hides advanced technic that ensures the hardware's strenght and durability for many years.

Spare Parts/Accessories:

Wide range of spindles and screws available
14.9701.02.019 Crub screw M5x8,3
14.9767.00.105 TX10 tool bit
14.2930.02.002 Snap on cover tool

Related Products:

14.1611.02.900 16 mm L lever w/solid rose cc30 mm
14.1612.02.900 16 mm L lever w/solid rose cc38 mm
One or the other - depending from the lockcase

Mounting:

See instruction supplied with the product

Packing:

1 piece in a bag, 10 bags per box

Maintenance:

Wash down with mild detergent, rinse off with clean water, and dry off with soft dry cloth. Please do not use scouring powders, steel wool or aggressive cleaning products as these may damage the surface. If spots appear on the surface it is not due to the stainless steel, but to impurities in the environment or the use of aggressive cleaning agents.

Environment:

No environmental risk and no risk of fire.

PRODUCT DOCUMENTATION



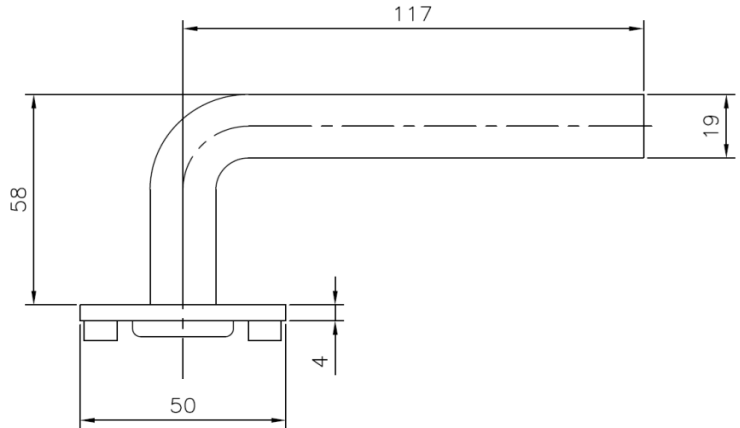
Product Name: Lever handle 16L half 8x8 mm w/snap on cover rose+nokker CC38 mm, M4 bush

Article Number: 14.1619.02.901
Satin stainless steel
16.1619.01.901
Polished stainless steel

Photo:



Drawing:



Product Information:

Material: AISI 316 stainless steel
Surface finish: Satin 320 grain or polished
Material thickness/radius: \varnothing 16 mm
Height: 50 mm Width: 142 mm Depth: 58 mm

Product Specification:

d line 19 mm L shaped lever handle w/ball bearing snap on cover +nokker rose cc 38 mm M4, for 8x8 mm spindle, AISI 316 satin stainless steel.

d line 19 mm L shaped lever handle w/ball bearing snap on cover+ nokker rose cc 38 mm M4, for 8x8 mm spindle, AISI 316 polished stainless steel.

Certificate: EN 1906, Class 4
Warranty: 20 years (non-mechanical/-electronic parts)

d line products are always produced in the highest quality stainless steel AISI 316. d line is a simple and functional design, but the minimalistic exterior hides advanced technic that ensures the hardware's strenght and durability for many years.

Spare Parts/Accessories:

Wide range of spindles and screws available
14.9701.02.016 Crub screw M5x6,8
14.9767.00.105 TX10 tool kit
14.2930.02.002 Snap on cover tool

Related Products:

14.1619.02.902 19 mm L lever 8x8, w/snap on cover rose + nokker CC 38 mm, M4,5 bush

One or the other - depending from the lockcase

Mounting:

See instruction supplied with the product

Packing:

1 piece in a bag, 10 bags per box

Maintenance:

Wash down with mild detergent, rinse off with clean water, and dry off with soft dry cloth. Please do not use scouring powders, steel wool or agressive cleaning products as these may damage the surface. If spots appear on the surface it is not due to the stainless steel, but to impurities in the environment or the use of agressive cleaning agents.

Environment:

No environmental risk and no risk of fire.

PRODUCT DOCUMENTATION



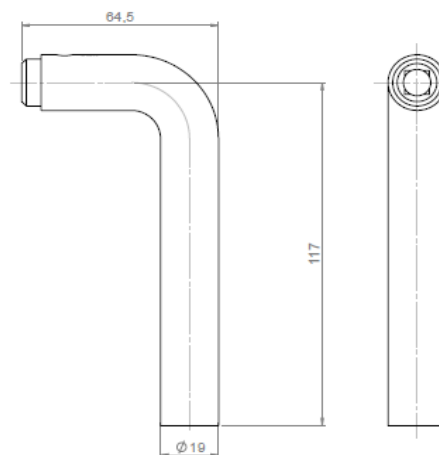
Product Name: Lever handle 19L half w/o rose

Article Number: 14.1610.02.900
Satin stainless steel
16.1610.01.900
Polished stainless steel

Photo:



Drawing:



Product Information:

Material: AISI 316 stainless steel
Surface finish: Satin 320 grain or polished
Material thickness/radius: \varnothing 19 mm
Height: 19 mm Width: 126,5 mm Depth: 64,5 mm

Product Specification:

d line 19 mm L shaped lever handle, for 8x8 mm spindle, AISI 316 satin stainless steel

d line 19 mm L shaped lever handle, for 8x8 mm spindle, AISI 316 polished stainless steel

Certificate: EN 1906, Class 4
Warranty: 20 years (non-mechanical/-electronic parts)

d line products are always produced in the highest quality stainless steel AISI 316. d line is a simple and functional design, but the minimalistic exterior hides advanced technic that ensures the hardware's strenght and durability for many years.

Spare Parts/Accessories:

All ball bearing roses and back plates made by d line, screws, spindles and tools available.

14.9701.02.019 Crub screw M5x8,3
14.2935.00.089 Fixing tool f/ball bearing roses

Related Products:

Mounting:

See instruction supplied with the product

Packing:

1 piece in a bag, 20 bags per box

Maintenance:

Wash down with mild detergent, rinse off with clean water, and dry off with soft dry cloth. Please do not use scouring powders, steel wool or aggressive cleaning products as these may damage the surface. If spots appear on the surface it is not due to the stainless steel, but to impurities in the environment or the use of aggressive cleaning agents.

Environment:

No environmental risk and no risk of fire.

PRODUCT DOCUMENTATION



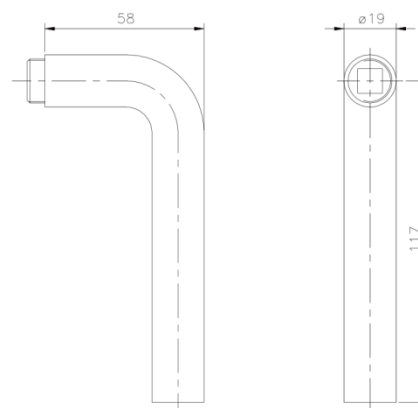
Product Name: Lever handle 19L fire half set 9x9 mm, w/o rose

Article Number: 14.1630.02.907
Satin stainless steel
16.1630.01.907
Polished stainless steel

Photo:



Drawing:



Product Information:

Material: AISI 316 stainless steel
Surface finish: Satin 320 grain or polished
Material thickness/radius: \varnothing 19 mm
Height: 19 mm Width: 126,5 mm Depth: 58 mm

Product Specification:

d line 19 mm L fire shaped lever handle, for 9x9 mm spindle, w/o rose, AISI 316 satin stainless steel.

d line 19 mm L fire shaped lever handle, for 9x9 mm spindle, w/o rose, AISI 316 polished stainless steel.

d line products are always produced in the highest quality stainless steel AISI 316. d line is a simple and functional design, but the minimalistic exterior hides advanced technic that ensures the hardware's strenght and durability for many years.

Certificate: EN 1906, Class 4
Warranty: 20 years (non-mechanical/-electronic parts)

Spare Parts/Accessories:

Wide range of spindles and screws available
14.9701.02.016 Crub screw M5x6,8
14.2935.00.089 Fixing tool;

Related Products:

Mounting:

See instruction supplied with the product

Packing:

1 piece in a bag, 10 bags per box

Maintenance:

Wash down with mild detergent, rinse off with clean water, and dry off with soft dry cloth. Please do not use scouring powders, steel wool or agressive cleaning products as these may damage the surface. If spots appear on the surface it is not due to the stainless steel, but to impurities in the environment or the use of agressive cleaning agents.

Environment:

No environmental risk and no risk of fire.