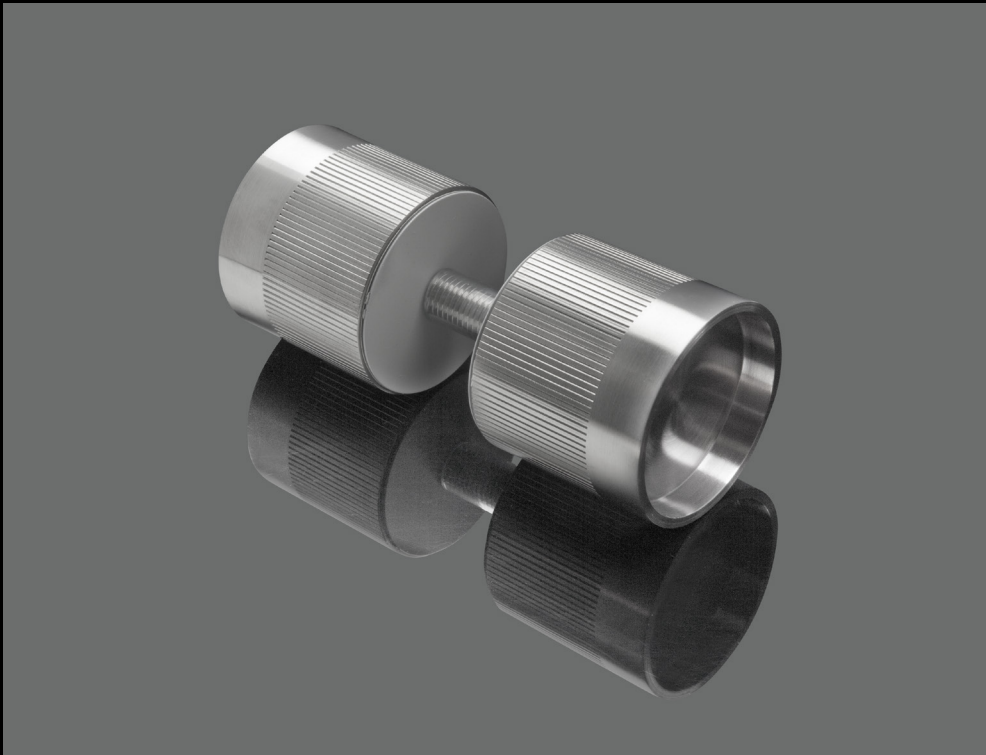
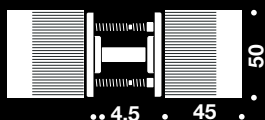


Lever CK shape cylindrical knob



Lever CK shape cylindrical knob



Description

Pair 7x7mm, w/snap on cover rose cc30/38mm, 33-64mm

Pair 7x7mm, w/snap on cover rose cc30/38mm, 64-96mm

Pair 8x8mm, w/solid rose cc30mm, 33-64mm

Pair 8x8mm, w/solid rose cc30mm, 64-96mm

Pair 8x8mm, w/solid rose cc38mm, 33-64mm

Pair 8x8mm, w/solid rose cc38mm, 64-96mm

Pair 8x8mm, w/snap on cover rose cc30/38mm, 33-64mm

Pair 8x8mm, w/snap on cover rose cc30/38mm, 64-96mm

Pair 8x8mm, w/snap on cover rose + threaded lugs cc38mm, 33-64mm

Pair 8x8mm, w/snap on cover rose + threaded lugs cc38mm, 64-96mm

Item number

14.3056.02.010

14.3056.02.020

14.3011.02.010

14.3011.02.020

14.3012.02.010

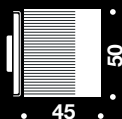
14.3012.02.020

14.3016.02.010

14.3016.02.020

14.3019.02.010

14.3019.02.020

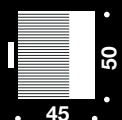


Half set dummy function, w/o rose, M6 (for mounting on dummy back plate or rose)

14.3010.02.800

Pair for glass door, incl. M10 mounting set

14.3040.02.019



Half set 7x7mm, f/use with ball bearing rose

14.3050.02.908

Half set 8x8mm, f/use with ball bearing rose

14.3010.02.900

Half set 7x7mm, f/use with back plate

14.3050.02.700

Half set 8x8mm, f/use with back plate

14.3010.02.700

EN1906:2010

