

PRODUCT DOCUMENTATION



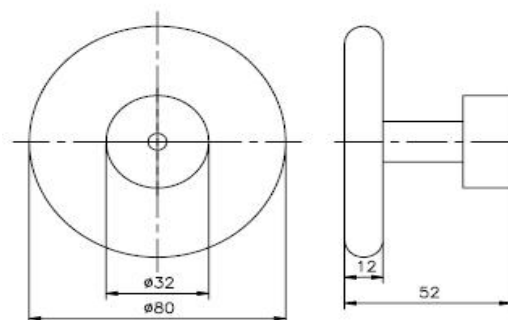
Product Name: Single Coat Hook Ø80mm

Article Number: 14.5625.02.000
Satin stainless steel
16.5625.01.006
Polished stainless steel

Photo:



Drawing:



Product Information:

Material: AISI 316 stainless steel
Surface finish: Satin 320 grain or polished
Material thickness/radius: Ø32
Height: 80mm Width: 80mm Depth: 52mm

Product Specification:

d line Single coat hook Ø80mm AISI 316 satin stainless steel.
d line Single coat hook Ø80mm AISI 316 polished stainless steel.

Certificate: -
Warranty: 20 years (non-mechanical/-electronic parts)

The high humidity levels in the bathroom setting necessitates the use of a non-corrosive rust-resistant stainless steel. The only metal used in d line's bathroom fittings is AISI 316, also known as marine quality stainless steel.

Spare Parts / Accessories:

P0.0000.00.451 Screw and plug set
14.9701.00.068 Grub screw M4x6mm

Related Products:

14.5620.02.104 Coat rail w/5 hooks Ø80mm, satin
16.5620.01.006 Coat rail w/5 hooks Ø80mm, polished
14.5615.02.006 Hat hook, Ø14x105x93mm, satin
16.5615.02.002 Hat hook, Ø14x105x93mm, polished

Mounting:

-

Packing:

1 pc. in a bag, 10 pcs. per box incl. screws Ø4,5x70mm with plugs 8x40mm for concrete wall.

Maintenance:

Wash down with mild detergent, rinse off with clean water, and dry off with soft dry cloth.

Environment:

No environmental risk and no risk of fire.