

# PRODUCT DOCUMENTATION



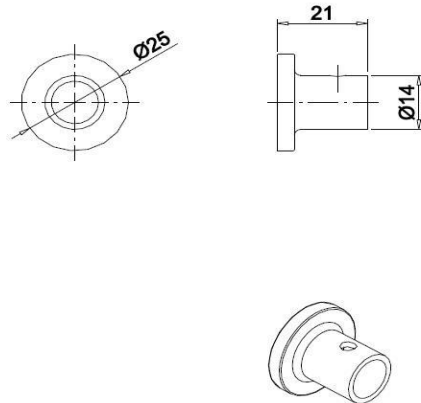
**Product Name:** Coat Hook, Ø14x21mm

**Article Number:** 14.5600.02.000  
*Satin stainless steel*  
16.5600.01.006  
*Polished stainless steel*

**Photo:**



**Drawing:**



**Product Information:**

Material: AISI 316 stainless steel  
Surface finish: Satin 320 grain or polished  
Material thickness/radius: Ø14  
Height: 25mm      Width: 25mm      Depth: 21mm

**Product Specification:**

d line Coat hook Ø14x21x25mm with concealed fixing AISI 316 satin stainless steel.  
  
d line Coat hook Ø14x21x25mm with concealed fixing AISI 316 polished stainless steel.

Certificate: N/A  
Warranty: 20 years (non-mechanical/-electronic parts)

The high humidity levels in the bathroom setting necessitates the use of a non-corrosive rust-resistant stainless steel. The only metal used in d line's bathroom fittings is AISI 316, also known as marine quality stainless steel.

**Spare Parts/Accessories:**

P0.0000.00.451      Screw and plug set  
14.9701.00.052      Grub screw M4x3mm

**Related Products:**

14.4960.02.050      Thrust rose Ø30x2mm with 5.2mm hole

**Mounting:**

See instruction supplied with the product

**Packing:**

1 pc. in a bag, 25 pcs. per box incl. screw Ø4.5x70mm with plug 8x40mm for fixing on concrete wall.

**Maintenance:**

Wash down with mild detergent, rinse off with clean water, and dry off with soft dry cloth. Please do not use scouring powders, steel wool or aggressive cleaning products as these may damage the surface. If spots appear on the surface it is not due to the stainless steel, but to impurities in the environment or the use of aggressive cleaning agents.

**Environment:**

No environmental risk and no risk of fire.