

# PRODUCT DOCUMENTATION



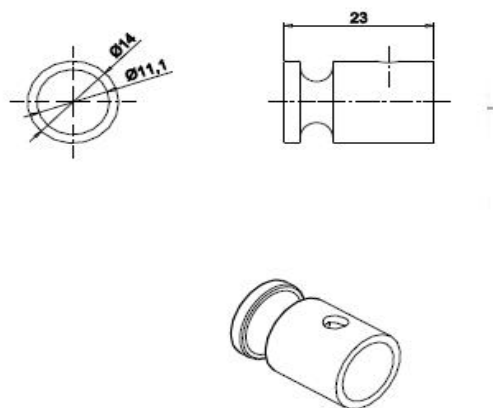
**Product Name:** Coat Hook, Ø14x23mm

**Article Number:** 14.5610.02.003  
*Satin stainless steel*  
16.5610.01.000  
*Polished stainless steel*

**Photo:**



**Drawing:**



**Product Information:**

Material: AISI 316 stainless steel  
Surface finish: Satin 320 grain or polished  
Material thickness/radius: Ø14  
Height: 14mm      Width: 14mm      Depth: 23mm

**Product Specification:**

d line Coat hook with slot Ø14x23mm with concealed fixing AISI 316 satin stainless steel.

d line Coat hook with slot Ø14x23mm with concealed fixing AISI 316 polished stainless steel.

The high humidity levels in the bathroom setting necessitates the use of a non-corrosive rust-resistant stainless steel. The only metal used in d line's bathroom fittings is AISI 316, also known as marine quality stainless steel.

Certificate: -  
Warranty: 20 years (non-mechanical/-electronic parts)

**Spare Parts/Accessories:**

P0.0000.00.451      Screw and plug set  
14.9701.00.052      Grub screw M4x3mm

**Related Products:**

14.4960.02.050      Thrust rose 30x2mm with 5.2mm hole satin  
16.4960.01.056      Thrust rose 30x2mm with 5.2mm hole polished

**Mounting:**

See instruction supplied with product

**Packing:**

1 pc. in a bag, 25 pcs. per box incl. Ø 4.5x70mm screws with plug 8x40mm for fixing on concrete wall.

**Maintenance:**

Wash down with mild detergent, rinse off with clean water, and dry off with soft dry cloth.

**Environment:**

No environmental risk and no risk of fire.