

DAN DRYER

AUTOMATIC BJÖRK SOAP DISPENSER

(1) USER'S GUIDE

PLEASE REFER TO THE CONSTRUCTION CHART AND THE PARTS LIST ON THE REVERSE SIDE.

- A. The dispenser is battery-operated and intended for the application of 4 pcs. 1.5 Volt ALKALINE batteries type "AA". Alternatively, the dispenser may be connected to power supply via a 6 Vdc transformer - cf. point (5) on the reverse side.
- B. Dispenser dimensions: 330 (h) x 139 (w) x 127 mm (d).
- C. Soap container (item no. 8 on the construction chart) capacity: 9.5 dl.
- D. Battery life: 34,000 dosages or 1 year. Please take note that the silicone tube with nozzle is a wearing part, which must be replaced regularly - and as a minimum in connection with battery replacement.
- E. The dispenser is automatically ready for dosage, when the housing (item no. 6) is closed. The dispenser is automatically deactivated, when the housing (item no. 6) is opened.
- F. In connection with soap re-fill, we advise you to check the signal light (item no. 4) which indicates whether batteries are running low and should be changed in the near future.
 - 1. Open housing (item no. 6), thus deactivating the dispenser.
 - 2. Press the metal switch (item no. 2). The signal light flashes green three times, then stops. If the signal light continues to flash, batteries are running low and should soon be changed.
 - 3. Testing the functionality of the dispenser is possible. Place a hand underneath the nozzle (item no. 11), thus provoking a dosage. The signal light should flash during dosage to indicate that the dispenser is operational.
- G. If the dispenser does not work, please refer to the below INSTALLATION GUIDE and check the following points:
 - 1. Is there a sufficient amount of liquid soap?
 - 2. Are batteries fully charged (item no. 6)?
 - 3. Is there a foreign object of some sort within the sensing range?
 - 4. Are the silicone tube connector (item no. 9), the silicone tube (item no. 10) and the nozzle (item no. 11) in the correct position?
- H. If the dispenser is to be moved, please remove batteries and screw the lid tightly onto the soap container in order to deactivate the dispenser.
- I. EASY-TO-CLEAN DESIGN. The soap container can be removed and rinsed out, in case items no. 8, 9, 10 or 11 have been clogged up by e.g. soapsuds.

(2) INSTALLATION GUIDE

PLEASE REFER TO THE CONSTRUCTION CHART AND THE PARTS LIST ON THE REVERSE SIDE.

Please follow the instructions below to install the automatic soap dispenser.

- A. No object is allowed within a 20 cm range below the nozzle (item no. 11).
- B. Mount the dispenser onto the wall using the three holes (items no. 13) in the base plate (item no. 14).
- C. Check the battery assembly (item no. 5). Are batteries new and sufficiently powerful? (Use 4 pcs. 1.5 Volt ALKALINE batteries type "AA"). Are batteries correctly assembled in the dispenser (cf. Fig. 1)?
- D. Pour liquid soap into the soap container (item no. 8). Check that items no. 9, 10 and 11 are in the correct position. Part no. 11 is equipped with a small rubber cap for safety during transportation. Remove this cap to make the dispenser operational.
- E. Close the housing and test the dispenser.

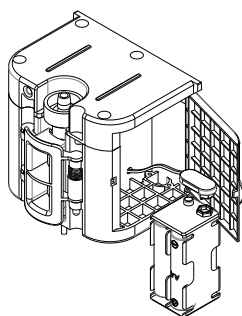


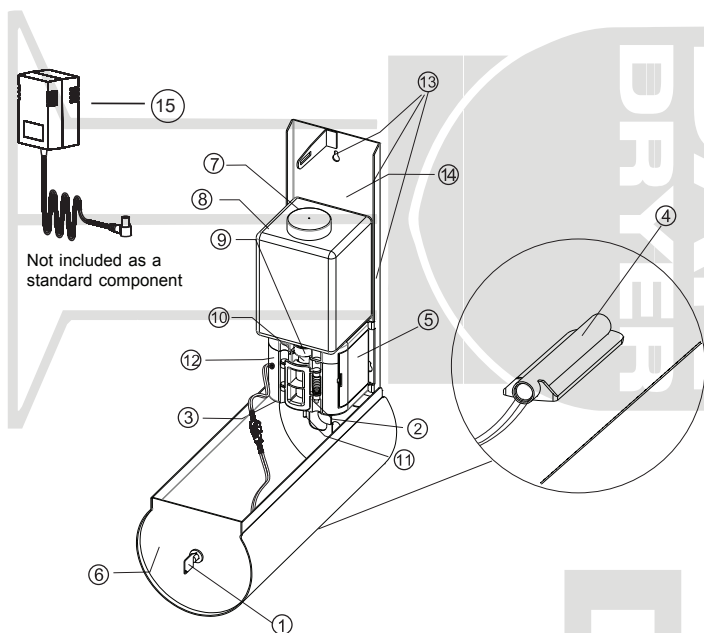
Abb. 1

DAN DRYER

DK-8920 RANDERS NV - DENMARK
Tel.: + 45 86 41 57 11 - www.dandryer.com



(3) CONSTRUCTION CHART



(4) PARTS LIST

PART NO. DESCRIPTION

1. Security key
2. Switch (the dispenser is automatically deactivated when the housing (item no. 6) is opened).
3. Sensor unit
4. Signal light for indication of dosage and battery status.
5. Battery compartment
6. Housing

SOAP CONTAINER:

7. Lid
8. Soap container
9. Connector between tube and container
10. Silicone tube
11. Nozzle
12. Control box

FOR INSTALLATION:

13. Three holes (for wall mounting)
14. Base plate
15. 6 Vdc transformer (for connection to 230 Vac).

(5) CONNECTING TO POWER SUPPLY VIA TRANSFORMER (alternative solution)

1. Open the housing with the security key supplied (Fig. 2).
2. Prior to base plate wall mounting, the adaptor plug of the transformer must be fed via the bottom of the dispenser in between the base plate and the bottom of the housing (fig. 3).
3. Connect transformer to a standard 230 Vac wall outlet.

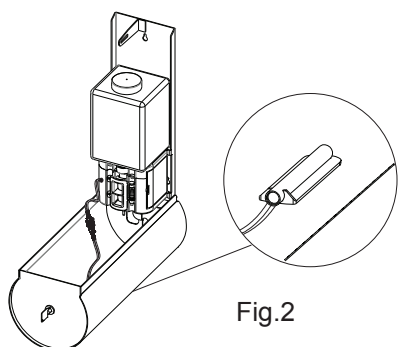


Fig.2

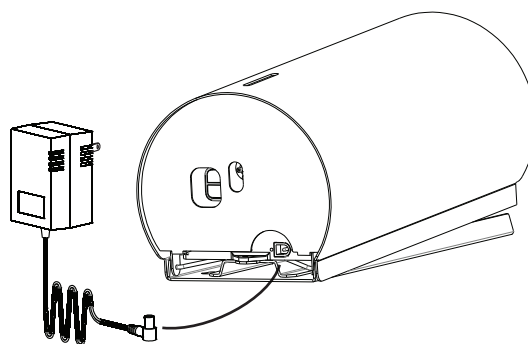
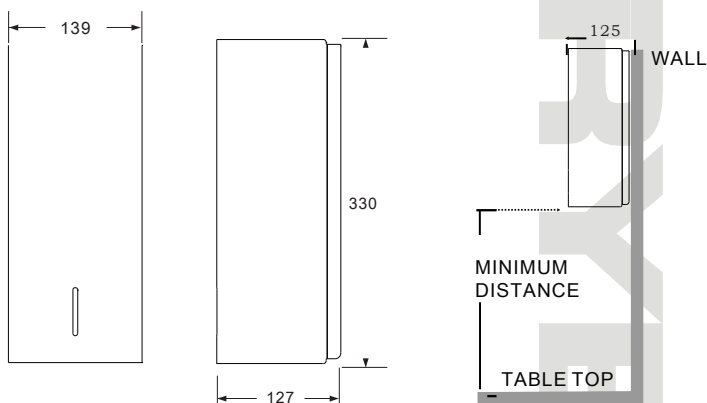


Fig.3

(6) RECOMMENDED INSTALLATION HEIGHT

MEASURING UNIT: mm



INSTALLATION HEIGHT:

At least 20 cm above conventional table top.
 At least 30 cm above stainless steel table top.
 If the dispenser is mounted with less distance to table top, there will be a risk of unintended dispensing.

IMPORTANT: This product is covered by the WEEE regulations on the recycling and recovery of waste electrical and electronic equipment.

- This product is not to be treated as household refuse.
- This product must be recycled if possible.
- Contact local authorities for advice.
- The product may also be returned to the manufacturer/distributor free of charge. The manufacturer/distributor will ensure proper recycling/disposal.

