
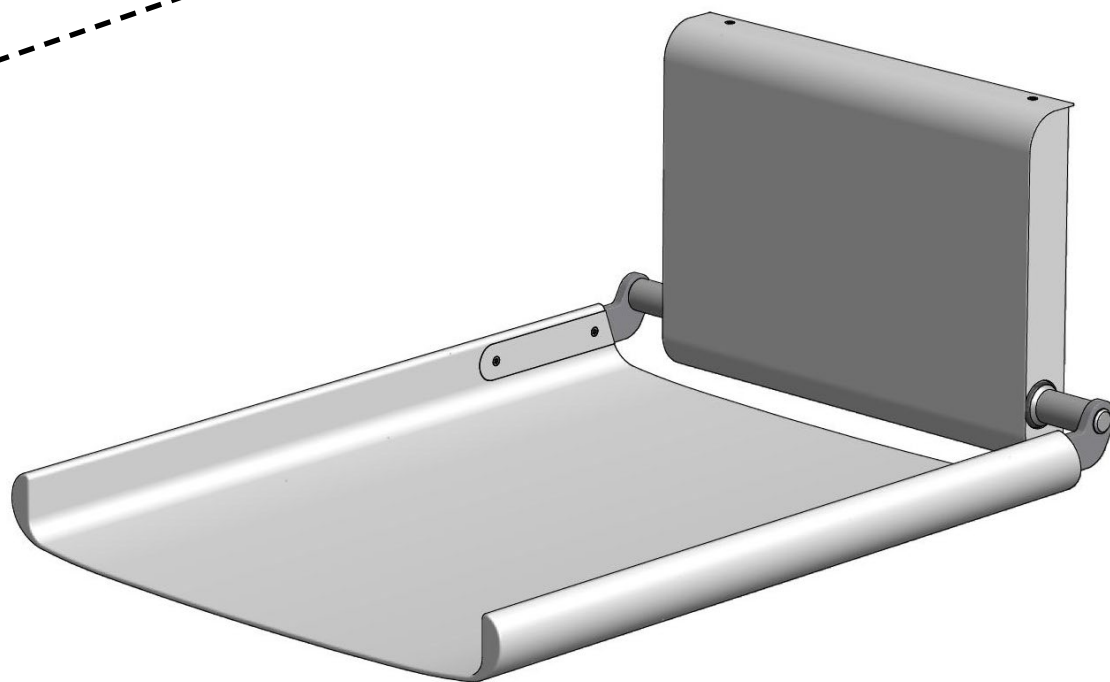


Reference	Version	Document	Lang.	Page	
	19.12.2017	Björk Baby Changing Station User Manual	UK	1 of 10	


Björk Baby Changing Station

Assembly instructions and user manual

**IMPORTANT:
THIS DOCUMENT SHOULD BE
READ THOROUGHLY AND
SAVED FOR FUTURE
REFERENCE**



EN12221-1:2008+A1:2013

Reference	Version	Document	Lang.	Page	
	19.12.2017	Björk Baby Changing Station User Manual	UK	2 of 10	

Contents:

Foreword	2
General information	2
Intended use	2
Manufacturer's product liability	2
Remarks conc. EN12221	2
Safety and warnings	2
Unpacking and identification of parts	3
Mounting on wall	3
User instructions	6
Cleaning instructions	7
Inspection, maintenance and service	7
Fault-finding	7
Spare parts	8
Technical data	9
Declaration of compliance	10

Foreword

Thank you for buying your equipment from DAN DRYER A/S and congratulations on your new changing table. Install, use and maintain the unit according to our instructions for a long and satisfactory service life.

General information

The product can only be installed and used in accordance with this guide and our safety instructions. All users of the product must have read and understood this guide. If you have any questions concerning the use or maintenance of your changing table, you are welcome to contact us.

Intended use

The DAN DRYER changing table is designed for use in public and private toilets. It should only be used for changing nappies etc. on small children. Total weight on the table cannot exceed 80 kg.

Manufacturer's product liability

DAN DRYER cannot be held liable if the product is used or installed in any other manner than that stated in this guide.

NB:

The product is designed for use indoors in a dry environment and must NOT be used in damp or high chlorine environments.

Remarks conc. EN 12221

This product is designed to comply with EU standard EN 12221-1:2008+A1:2013, type 1 According to the standard, type 1 changing units can be used for infants from 0-12 months with a maximum weight of 11 kg.


DAN DRYER guarantees a maximum load of 80 kg.

Safety precautions

- Always check before use that:
- total weight will not exceed 80 kg (evenly distributed)
- the product is clean.
- the product is not damaged or in any other way unserviceable to the extent that using it is hazardous.

WARNING!

Never leave a child unsupervised on the table!

Reference	Version	Document	Lang.	Page	
	19.12.2017	Björk Baby Changing Station User Manual	UK	3 of 10	

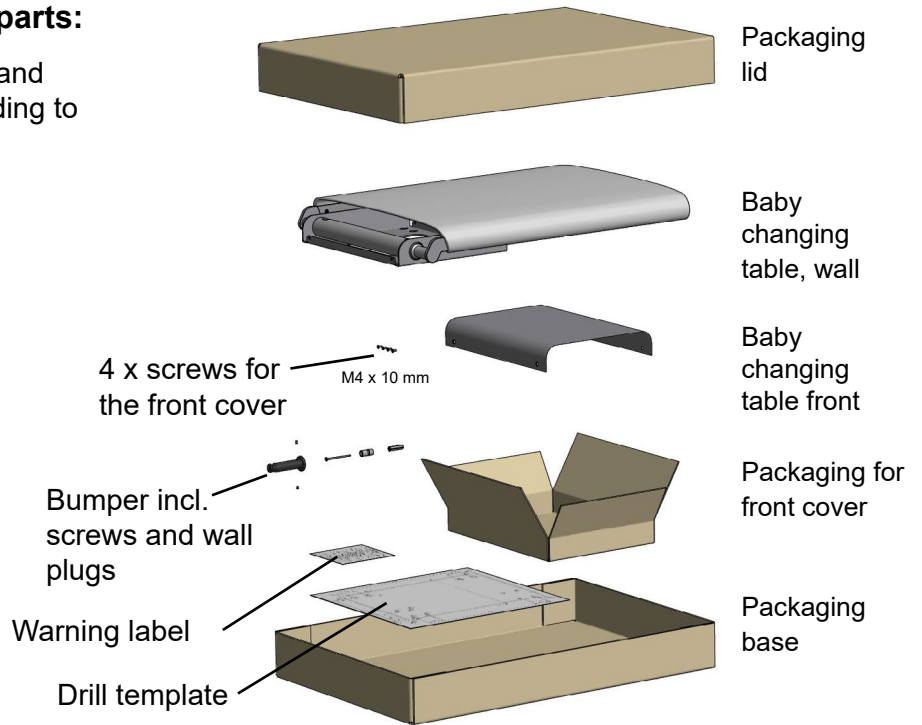
Unpacking and identification of parts:

Please unpack this product with care and check that all parts are present according to the drawings.

Tools for assembly::

- Torx key T20 (fitting the front cover)
- Torx key T25 (fitting the bumper)
- Electric drill
- Spirit level

Tools needed for wall-mounting will depend on the screws and plugs used. See the section below.



Mounting on wall:

When choosing position, remember to allow for the depth of the table when lowered, and its height when folded up. Refer to the dimension diagram at the end of this manual.

The table must be positioned such that the user is not exposed to a risk of entrapment when folding it up or down.

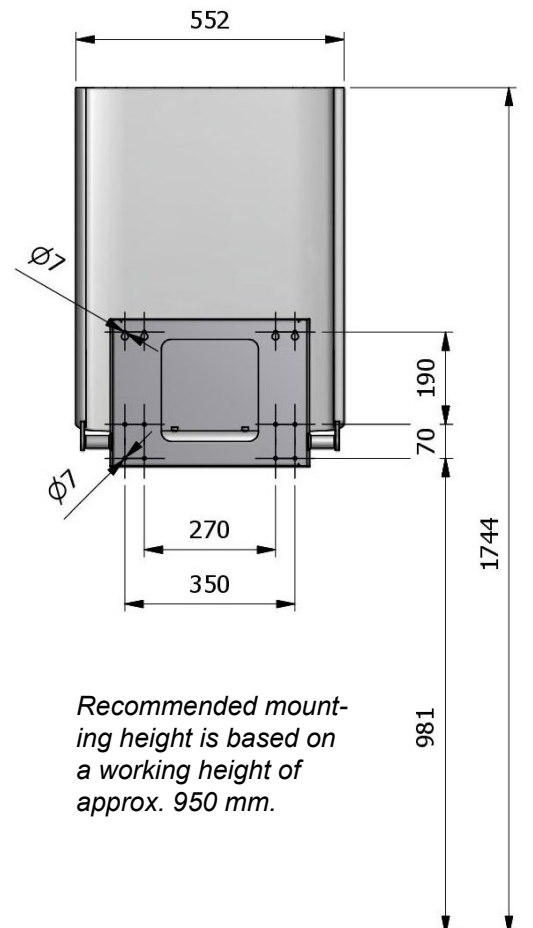
Do not mount the table near strong sources of heat, such as a fireplace, stove etc.


Important:

The table can only be mounted on a wall able to bear the weight of the unit itself (18 kg) and the maximum load it can take (80 kg).

Take the type of wall into account when choosing screws for mounting. Consult an expert (e.g. Your local builder's merchants) for advice on choice of screw for your wall type. Screws in the wall bracket are exposed to a force equivalent to 65 kg of pull each at maximum load on the table when 4 screws are used in the upper holes.

We recommend that all 12 holes are used to achieve maximum strength and stability.

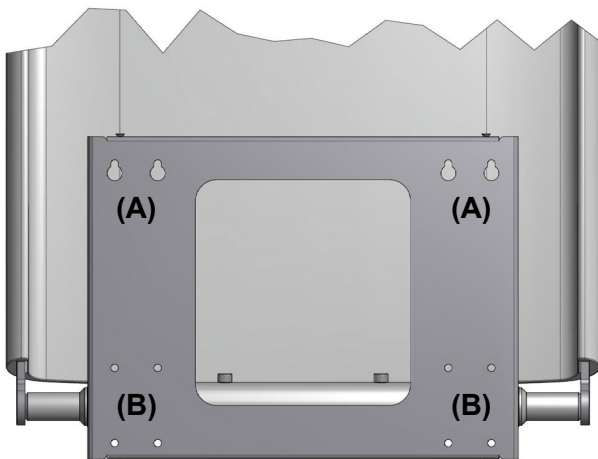
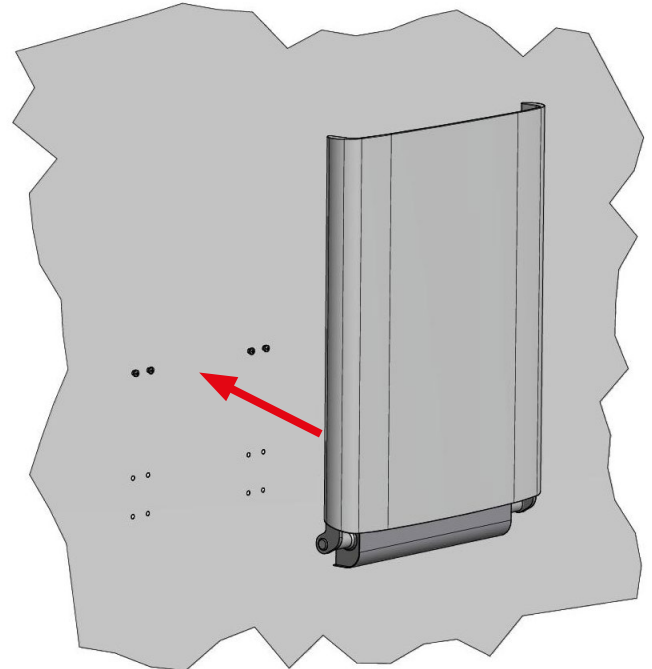


Reference	Version	Document	Lang.	Page	
	19.12.2017	Björk Baby Changing Station User Manual	UK	4 of 10	

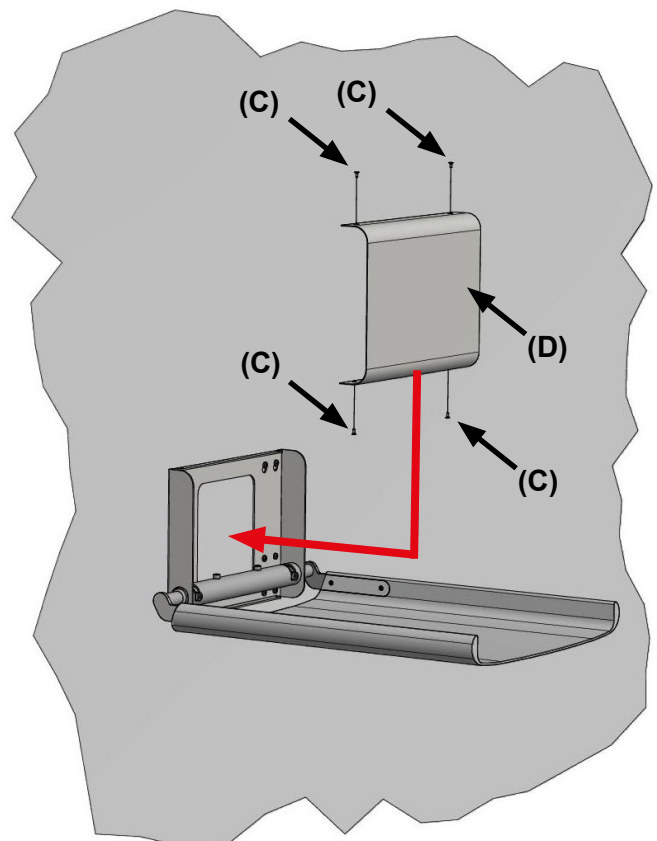
Mounting on wall (contd.)


Mounting:

1. Holes for mounting the wall bracket should be marked up and drilled using the drill template enclosed.
2. If used, wall plugs should be inserted in the holes drilled.
3. Screws inserted in the four upper plugs should project 5 mm from the wall surface when screwed in.
4. Hang the table on the wall using the keyholes (A) at the top of the wall bracket.



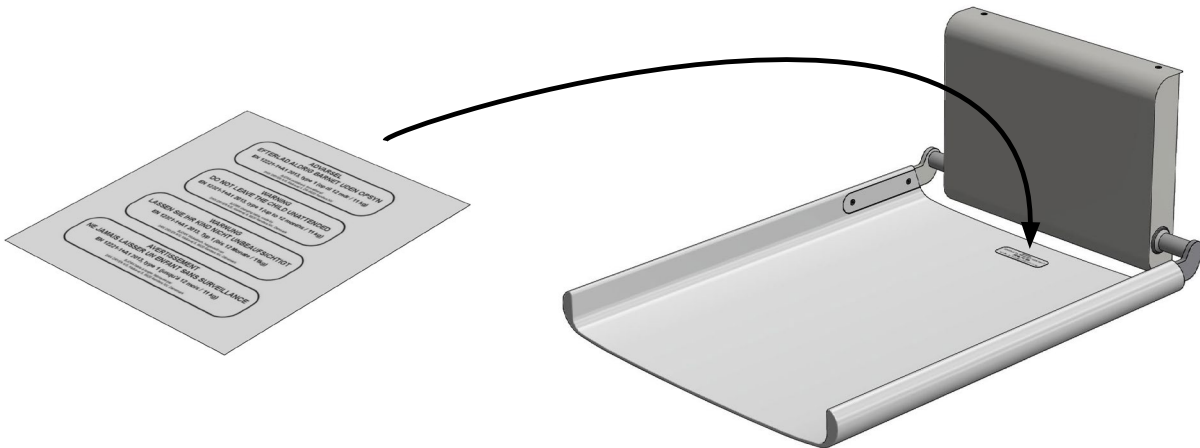
5. Fold the table down carefully, and insert the remaining screws (B) at the bottom of the wall bracket.
6. Screw all screws (A) and (B) all the way in to ensure the wall bracket is securely fixed to the wall.
7. Fit the front cover (D) and fasten in place using the 4 M4 x 10 screws supplied (C)
8. Check that the table can fold up and remain in the upright position.
9. Finish off by checking that the wall bracket is securely fixed to the wall.



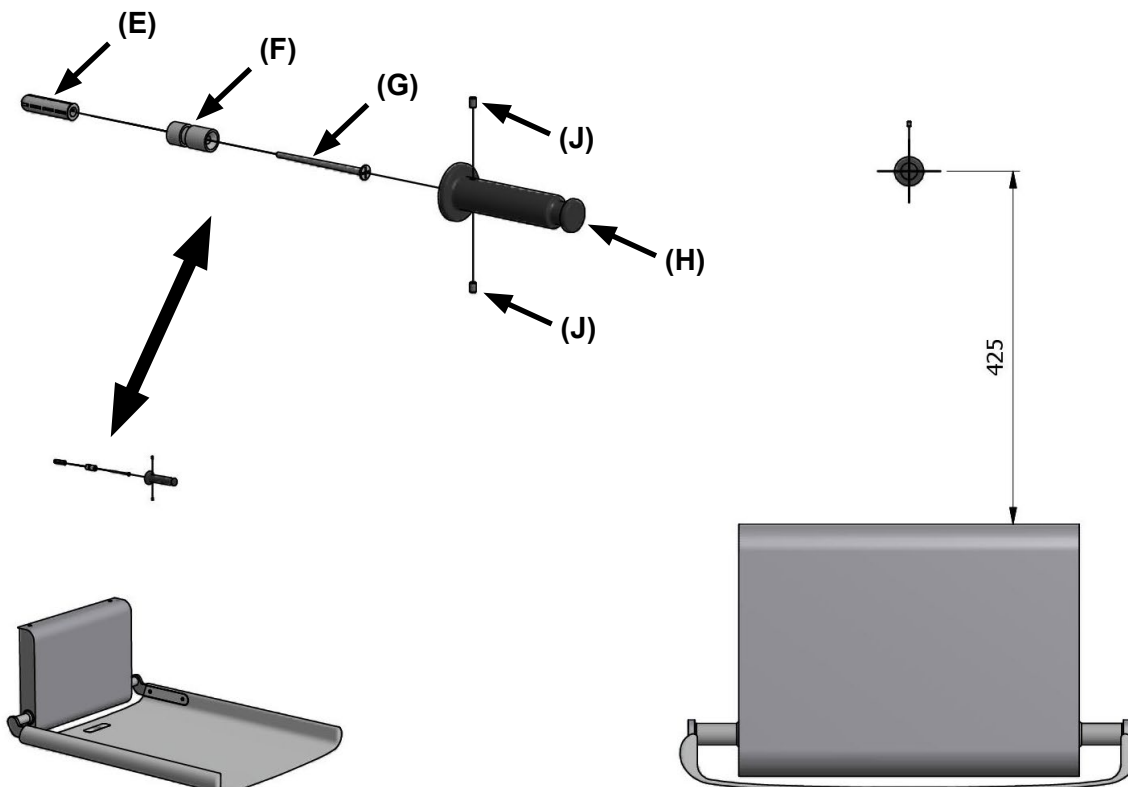
Reference	Version	Document	Lang.	Page	
	19.12.2017	Björk Baby Changing Station User Manual	UK	5 of 10	


Mounting on wall (contd.)

10. Determine the appropriate language version and remove label from the sheet.
11. Warning label is placed as shown.



12. Hole for mounting of bumper (H) should be drilled at the position shown below and wall plug (E) inserted.
13. Mount the brass sleeve (F) on the wall, using the screw (G).
14. Push bumper (H) onto the brass sleeve (F) and secure with two screws (J).



Reference	Version	Document	Lang.	Page	
	19.12.2017	Björk Baby Changing Station User Manual	UK	6 of 10	

User instructions

The table can be folded down to a horizontal position by carefully pulling the top edge downwards. Make sure the table is fully extended into its horizontal position before use.

This table is not intended to be used with a mattress. Use a paper towel or the like instead.

Always check that the table surface is clean and undamaged before use.

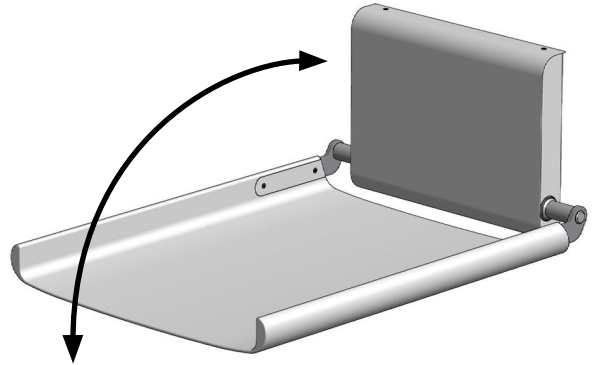
Do not use if damaged, defective or if not securely fixed to the wall.

Fold the table into its upright position after use by lifting the front edge of the table and carefully raising it to the vertical.

NOTE

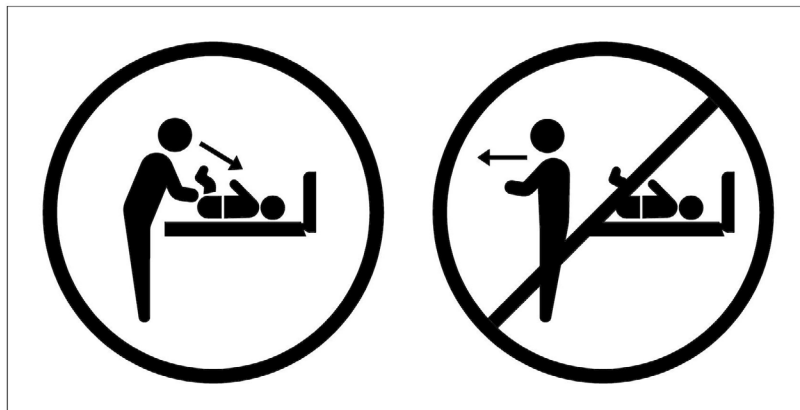
If the table is folded up very aggressively it may cause damage to the wall.


Therefore, always mount the bumper as described in the paragraph "Mounting on wall"



WARNING!

Never leave a child unsupervised on the table!



Reference	Version	Document	Lang.	Page	
	19.12.2017	Björk Baby Changing Station User Manual	UK	7 of 10	

Cleaning instructions

The table can be cleaned using a damp cloth. Use only neutral, liquid cleaning products that do not contain solvents. Do not hose or high-pressure wash with water or other liquids.

Inspection, maintenance and service


Maintenance and service can only be performed by trained personnel.

We recommend inspecting the table regularly and at least once annually according to the following:

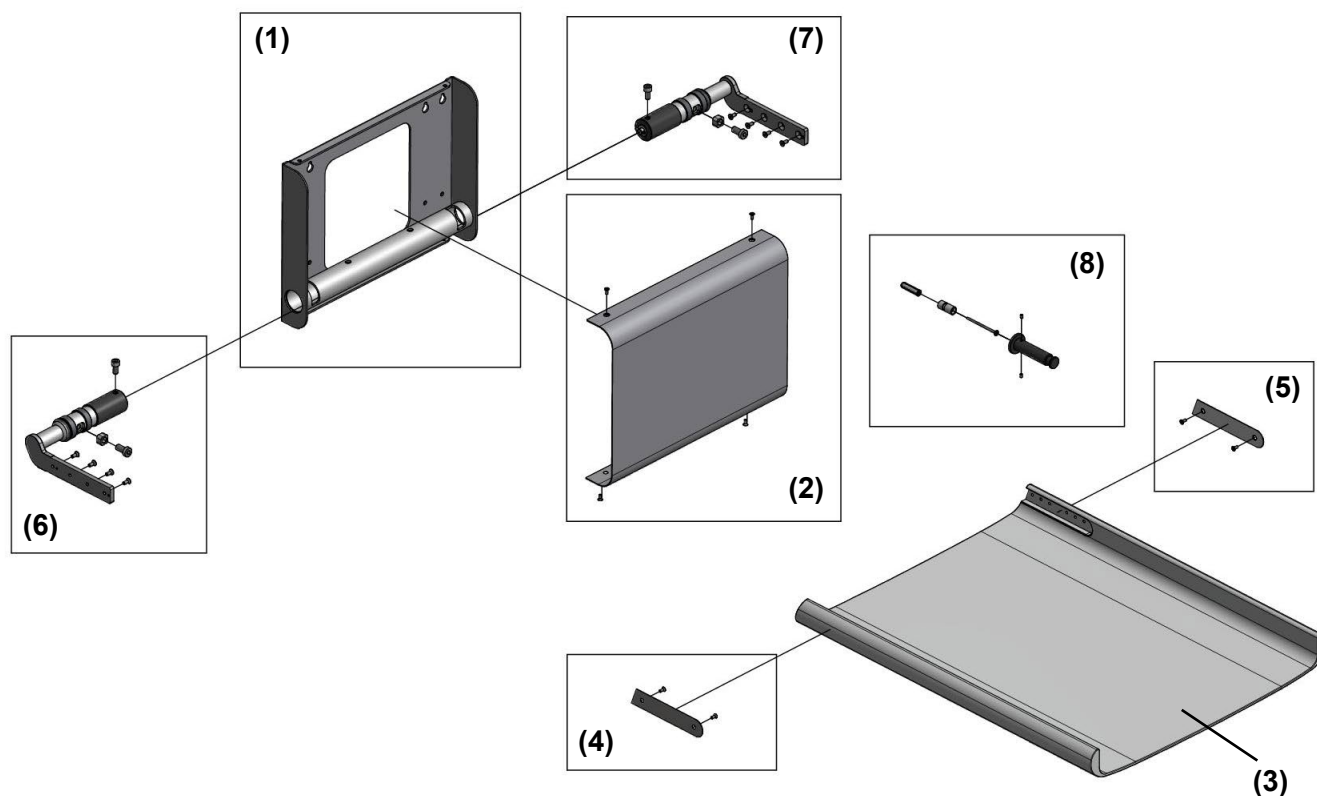
- Check that the table is securely fixed to the wall, that all moving parts work correctly and are in a safe condition.
- Check that all screwed assemblies are tight.
- Check that the table can fold up and remain in the upright position. A force equivalent to approx. 3 kg is normally required to fold down the table.
- Check that the table cannot drop beyond horizontal when folded down. Normally, the table will stay in any position when released.
- If the table is defective, it must be repaired and restored to usable condition immediately.

Fault-finding

Problem:	Solution:
The table cannot remain vertical.	<ul style="list-style-type: none"> • The springs are worn and should be replaced immediately. Do not allow use of the table before it is repaired.
The table drops freely to the horizontal when folded down.	<ul style="list-style-type: none"> • The springs are worn and should be replaced immediately. Do not allow use of the table before it is repaired.
The table is not horizontal when folded down.	<ul style="list-style-type: none"> • The table is not securely fixed to the wall. Check mountings and repair immediately. Do not allow use of the table before it is repaired. • More than the maximum permitted weight of 80 kg has been placed on the table, which has been permanently damaged as a result. Do not allow use of the table before it is repaired. Contact DAN DRYER or our dealer.

Reference	Version	Document	Lang.	Page	
	19.12.2017	Björk Baby Changing Station User Manual	UK	8 of 10	

Spare parts:




Pos.	Item number	Description
(1)	32002	Wall bracket complete
(2)	32102	Front cover complete (incl. screws)
(3)	32000	Changing surface
(4)	32104	Left cover plate (incl. screws)
(5)	32105	Right cover plate (incl. screws)
(6)	32106	Left rotating arm (complete, incl. all springs, stop, plastic lock and screws)
(7)	32107	Right rotating arm (complete, incl. all springs, stop, plastic lock and screws)
(8)	32108	Bumper (complete incl. plugs and screws) (optional colours: black / white)

Use only original accessories and spare parts from DAN DRYER or our dealers.

WARNING!

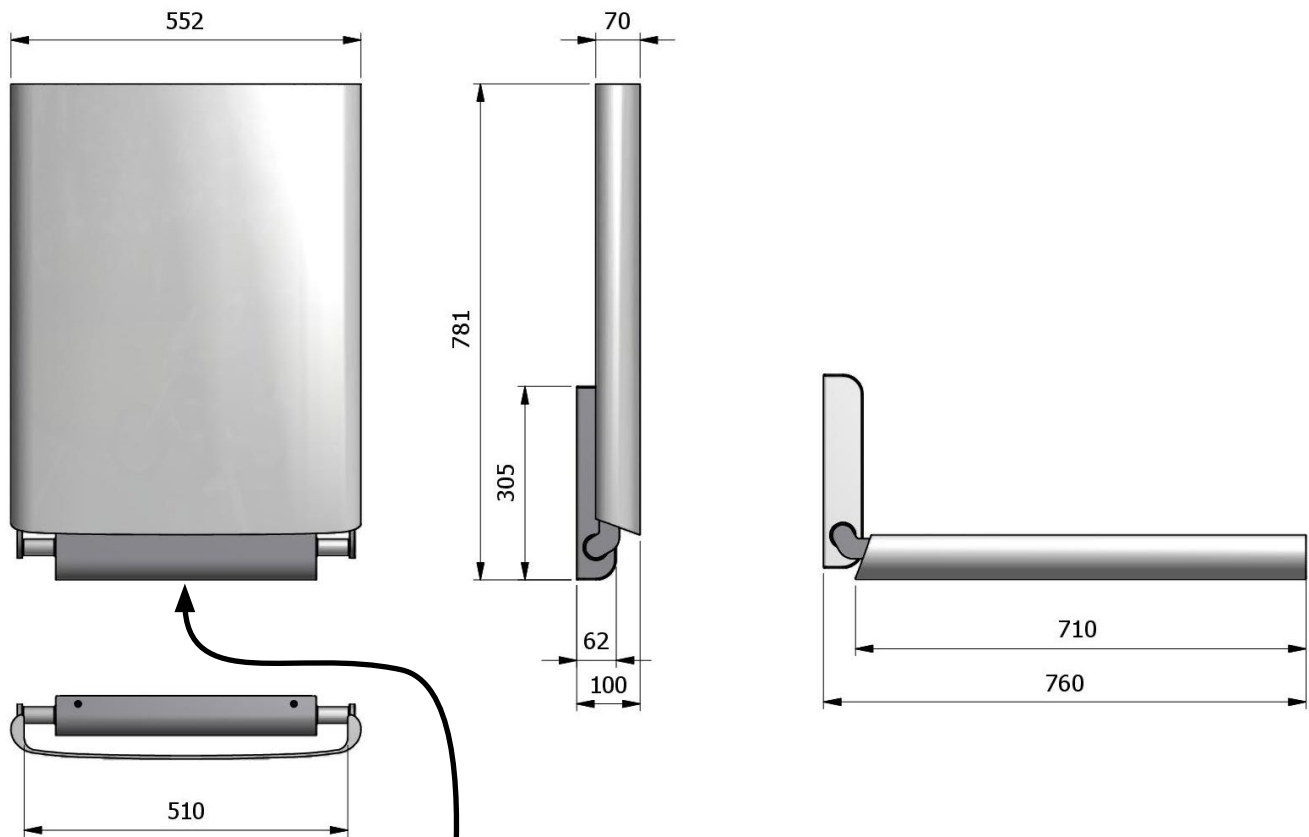
The table contains sprung elements that can be released under considerable force if dismantled and can cause injury. Maintenance and repair that requires dismantling the table can only be performed by trained personnel to ensure safety.

Reference	Version	Document	Lang.	Page	
	19.12.2017	Björk Baby Changing Station User Manual	UK	9 of 10	

Technical data:


Force for folding down : approx. 3 kg.
Force for folding up : approx. 2 kg.
Total net weight : approx. 17 kg.
Max. load at wall : 80 kg. (Evenly distributed across table surface)

Dimensions diagram:



Type plate:

Björk Baby Changing Station. Art no.: 32xx
Serial no.: 3200xxxxxx Prod.: xx-xxxx
DAN DRYER A/S +45 86415711 Dandryer.com
Alsikevej 8, DK-8920 Randers NV

Reference	Version	Document	Lang.	Page	
	19.12.2017	Björk Baby Changing Station User Manual	UK	10 of 10	

DAN DRYER A/S



EU Declaration of Conformity

DAN DRYER A/S
Alsikevej 8
DK-8920 Randers NV

hereby declares that the following products

BJÖRK Baby Changing Station

and variants in measurement according to the same design principle.
Item number 32xx (xx defines surface treatment and paint colour)

complies with the provisions of the following directives:

- European Parliament and Council Directive 2001/95/EC of December 2001 on General Product Safety according to the following standard:
EN 12221-1 + A1 Changing units for domestic use – Part 1: Safety requirements
- European Parliament and Council Directive 2008/57/EC of 17 June 2008 (and its amendments) on the interoperability of the rail system within the European Union according to the
Commission Regulation of 18 November 2014: 1300/2014/EU – TSI-PRM

Randers 16.07.2018

Susanne Friis Eden
Managing Director