



Properties

This product is made of cast concrete. Design by Urbi et Orbi in 2017.

Our company specializes in the production of concrete design elements. The raw material that we use is a unique reinforced mixture of cement, additives enhancers and special aggregates.

The durability of concrete is known from the building construction.

However the untreated concrete is not sufficient to construct a functional washbasin. Concrete is porous, so it absorbs and smudges easily. So, in order to be waterproof and protected from unwanted stains, is necessary the treatment and the sealing of the surface. The waterproofing system which we apply over the surface, consisting of specific varnishes in four stages, and achieves the best result while also does not affect the natural appearance and the texture of concrete.

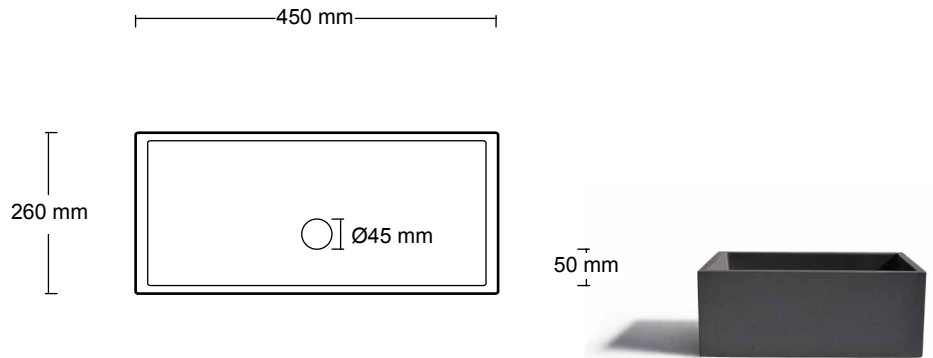
Each design object that is made of concrete, acquires value thanks to its uniqueness, its character, its aspect.

By the selection of concrete, it will be supposed in advance that we have to respect its nature. We will be ready to make reprocesses in our habits. In order to its ageing will be done smoothly, we will attend it as much as it needs, without deterioration.




Dimensions/Weight

45x26 cm
Height: 17,5 cm (± 2%)
Depth: 13,5-14 cm
Edge thickness: 1,9 cm
17,5kg (± 2%)



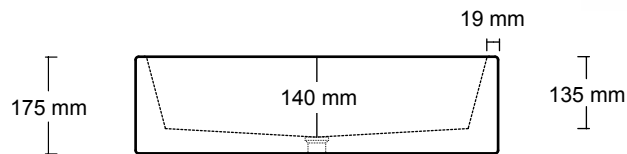
Packaging

58x58x30cm
20kg
RECYCLED CARDBOARD 

Colors

Colored in its mass with pigments

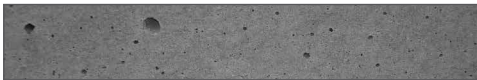
•Basic



Anthracite	Dark Grey	Medium Grey	Light Grey	Ivory	Brown/Beige
------------	-----------	-------------	------------	-------	-------------

Available in 6 shades (Anthracite, Dark Grey, Medium Grey, Light Grey, Ivory, Brown/Beige).
Every piece may appear with color tone variants at its surface, as also between the pieces or the sample.

•Appearance



Concrete surfaces displays several air holes. This is a natural characteristic of concrete. However this effects only at the outside area.

Warranty valid for 2 years.

This product is intended for private or public bathrooms, WC, for indoor usage only.
Concrete washbasins have no overflow, so the drainage valve must always be open.

Load resistance:

Durable in accordance of EN 14688.

Although the concrete is a very hard material, it could break like a marble or a stone or ceramic. For this reason avoid the impact of heavy objects directly onto the concrete surface.

Resistance to abrasion:

The stain protection top layer is strong enough for the usual daily usage, in accordance of EN 14688

We recommend, not rubbing the surfaces with sharp objects like wire, metal objects or tools and hard sponges. The frequent use of those objects could wears out the sealing.

Resistance against chemicals and staining agents:

The surface is cleanable and resistant from stain in accordance of EN 14688. If you pour colored liquids, we recommend removing them with water before they dry, so you don't have to rub it excessively later. Always use soft sponges and common detergents for cleaning. Avoid strong detergents like viakal .

Avoid the pouring of acids, solvents or alcohol, however if so, remove them with water in reasonable time.

The frequent use of such kind of liquids could corrode the sealing.

Resistance to temperature changes:

This washbasin is tested and durable in the usual temperature changes of water, in accordance of EN 14688.

We recommend avoiding the usage of boiled – very hot water, especially the frosty days.

For the maintenance of the surface, we recommend to use a wax like "FILA wax opaca".

The improper use may display damages, whose repair would be visible.

All rights reserved."Urbi et Orbi" brand and logos are registered trademarks. The industrial models of the product, the designation and the product photos are protected by the applicable copyright laws.

Urbi et Orbi reserves the right, in order to improve the capacities of the products, to make modifications to them, as if reference the raw materials, dimensions, weight, qualities or features, without prior notice.





Properties

This product is made of cast concrete. Design by Urbi et Orbi in 2012.

Our company specializes in the production of concrete design elements. The raw material that we use is a unique reinforced mixture of cement, additives enhancers and special aggregates.

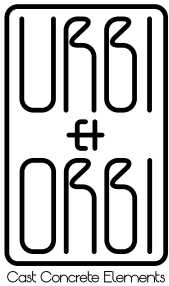
The durability of concrete is known from the building construction.

However the untreated concrete is not sufficient to construct a functional washbasin. Concrete is porous, so it absorbs and smudges easily. So, in order to be waterproof and protected from unwanted stains, is necessary the treatment and the sealing of the surface. The waterproofing system which we apply over the surface, consisting of specific varnishes in four stages, and achieves the best result while also does not affect the natural appearance and the texture of concrete.

Each design object that is made of concrete, acquires value thanks to its uniqueness, its character, its aspect.

By the selection of concrete, it will be supposed in advance that we have to respect its nature. We will be ready to make reprocesses in our habits. In order to its ageing will be done smoothly, we will attend it as much as it needs, without deterioration.





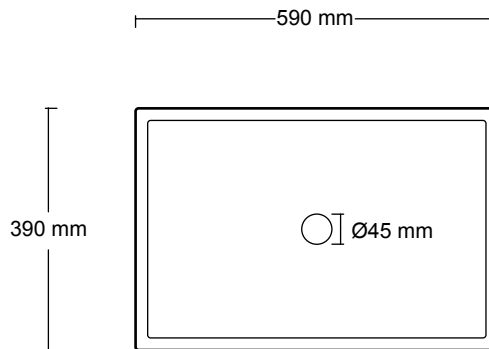
OCT 17'

Technical sheet / Specifications / Aftercare


IMMISSIO 60
concrete washbasin
design by Urbi et Orbi
2012

Dimensions/Weight

59x39 cm
Height: 16,5 cm (± 2%)
Depth: 11,5-13 cm
Edge thickness: 2 cm
32kg (± 2%)



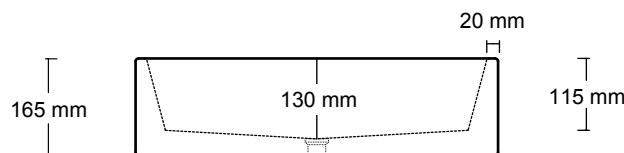
Packaging

81x56x33cm
35kg
RECYCLED CARDBOARD 

Colors

Colored in its mass with pigments

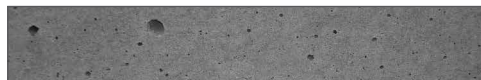
•Basic



Anthracite	Dark Grey	Medium Grey	Light Grey	Ivory	Brown/Beige
------------	-----------	-------------	------------	-------	-------------

Available in 6 shades (Anthracite, Dark Grey, Medium Grey, Light Grey, Ivory, Brown/Beige).
Every piece may appear with color tone variants at its surface, as also between the pieces or the sample.

•Appearance



Concrete surfaces displays several air holes. This is a natural characteristic of concrete. However this effects only at the outside area.

Warranty valid for 2 years.

This product is intended for private or public bathrooms, WC, for indoor usage only.
Concrete washbasins have no overflow, so the drainage valve must always be open.

Load resistance:

Durable in accordance of EN 14688.

Although the concrete is a very hard material, it could break like a marble or a stone or ceramic. For this reason avoid the impact of heavy objects directly onto the concrete surface.

Resistance to abrasion:

The stain protection top layer is strong enough for the usual daily usage, in accordance of EN 14688

We recommend, not rubbing the surfaces with sharp objects like wire, metal objects or tools and hard sponges. The frequent use of those objects could wears out the sealing.

Resistance against chemicals and staining agents:

The surface is cleanable and resistant from stain in accordance of EN 14688. If you pour colored liquids, we recommend removing them with water before they dry, so you don't have to rub it excessively later. Always use soft sponges and common detergents for cleaning. Avoid strong detergents like viakal .

Avoid the pouring of acids, solvents or alcohol, however if so, remove them with water in reasonable time.

The frequent use of such kind of liquids could corrode the sealing.

Resistance to temperature changes:

This washbasin is tested and durable in the usual temperature changes of water, in accordance of EN 14688.

We recommend avoiding the usage of boiled – very hot water, especially the frosty days.

For the maintenance of the surface, we recommend to use a wax like "FILA wax opaca".

The improper use may display damages, whose repair would be visible.

All rights reserved."Urbi et Orbi" brand and logos are registered trademarks. The industrial models of the product, the designation and the product photos are protected by the applicable copyright laws.

Urbi et Orbi reserves the right, in order to improve the capacities of the products, to make modifications to them, as if reference the raw materials, dimensions, weight, qualities or features, without prior notice.





IMMISSIO 70
concrete washbasin



Properties

This product is made of cast concrete. Design by Valentino Marengo in 2017.

Our company specializes in the production of concrete design elements. The raw material that we use is a unique reinforced mixture of cement, additives enhancers and special aggregates.

The durability of concrete is known from the building construction.

However the untreated concrete is not sufficient to construct a functional washbasin. Concrete is porous, so it absorbs and smudges easily. So, in order to be waterproof and protected from unwanted stains, is necessary the treatment and the sealing of the surface. The waterproofing system which we apply over the surface, consisting of specific varnishes in four stages, and achieves the best result while also does not affect the natural appearance and the texture of concrete.

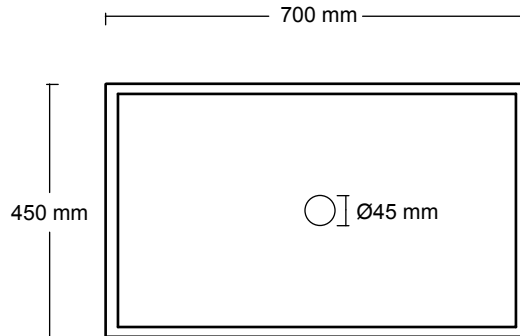
Each design object that is made of concrete, acquires value thanks to its uniqueness, its character, its aspect.

By the selection of concrete, it will be supposed in advance that we have to respect its nature. We will be ready to make reprocesses in our habits. In order to its ageing will be done smoothly, we will attend it as much as it needs, without deterioration.




Dimensions/Weight

70x45 cm
Height: 14,5 cm (± 2%)
Depth: 10-11,5 cm
Edge thickness: 2 cm
37kg (± 2%)



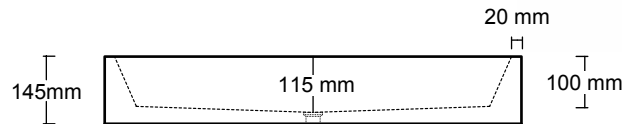
Packaging

81x56x33cm
40kg
RECYCLED CARDBOARD 

Colors

Colored in its mass with pigments

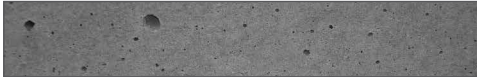
•Basic



Anthracite	Dark Grey	Medium Grey	Light Grey	Ivory	Brown/Beige
------------	-----------	-------------	------------	-------	-------------

Available in 6 shades (Anthracite, Dark Grey, Medium Grey, Light Grey, Ivory, Brown/Beige).
Every piece may appear with color tone variants at its surface, as also between the pieces or the sample.

•Appearance



Concrete surfaces displays several air holes. This is a natural characteristic of concrete. However this effects only at the outside area.

Warranty valid for 2 years.

This product is intended for private or public bathrooms, WC, for indoor usage only.
Concrete washbasins have no overflow, so the drainage valve must always be open.

Load resistance:

Durable in accordance of EN 14688.

Although the concrete is a very hard material, it could break like a marble or a stone or ceramic. For this reason avoid the impact of heavy objects directly onto the concrete surface.

Resistance to abrasion:

The stain protection top layer is strong enough for the usual daily usage, in accordance of EN 14688

We recommend, not rubbing the surfaces with sharp objects like wire, metal objects or tools and hard sponges. The frequent use of those objects could wears out the sealing.

Resistance against chemicals and staining agents:

The surface is cleanable and resistant from stain in accordance of EN 14688. If you pour colored liquids, we recommend removing them with water before they dry, so you don't have to rub it excessively later. Always use soft sponges and common detergents for cleaning. Avoid strong detergents like viakal .

Avoid the pouring of acids, solvents or alcohol, however if so, remove them with water in reasonable time.

The frequent use of such kind of liquids could corrode the sealing.

Resistance to temperature changes:

This washbasin is tested and durable in the usual temperature changes of water, in accordance of EN 14688.

We recommend avoiding the usage of boiled – very hot water, especially the frosty days.

For the maintenance of the surface, we recommend to use a wax like "FILA wax opaca".

The improper use may display damages, whose repair would be visible.

All rights reserved."Urbi et Orbi" brand and logos are registered trademarks. The industrial models of the product, the designation and the product photos are protected by the applicable copyright laws.

Urbi et Orbi reserves the right, in order to improve the capacities of the products, to make modifications to them, as if reference the raw materials, dimensions, weight, qualities or features, without prior notice.

