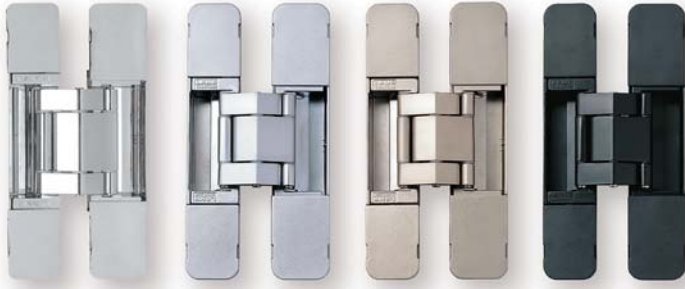


# 3-WAY ADJUSTABLE CONCEALED HINGE



# HES3D-E190

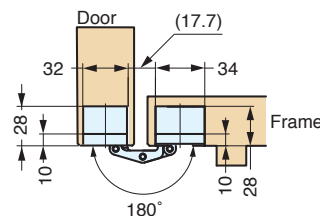
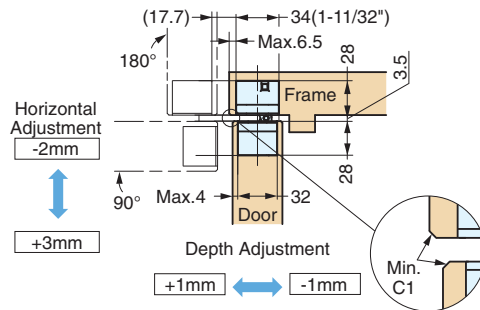
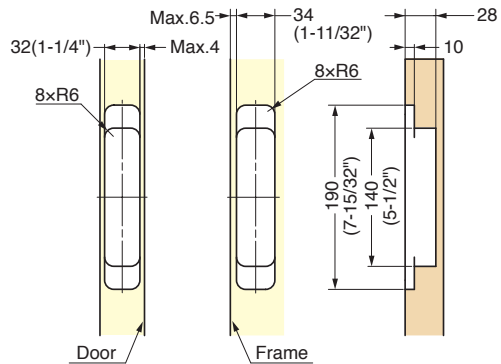
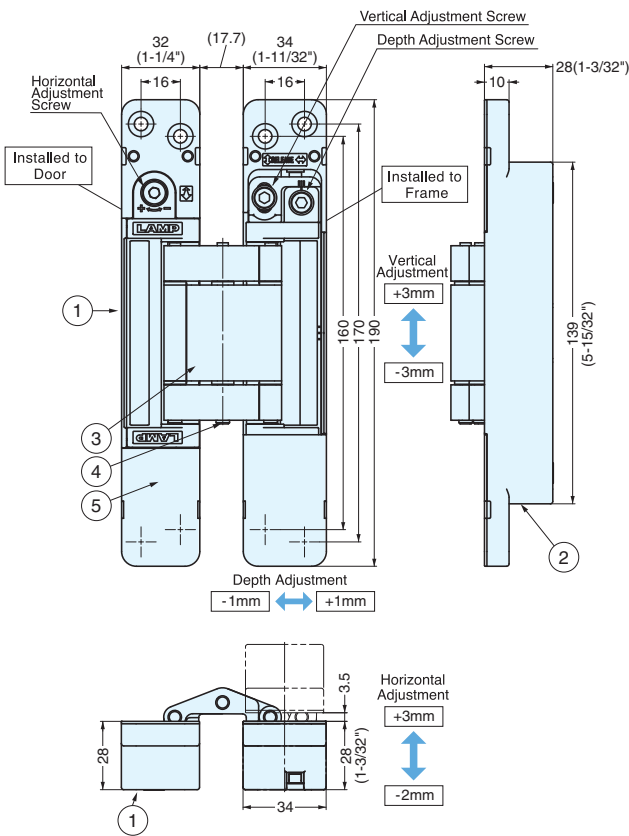


HES3D-E190PN    HES3D-E190DC    HES3D-E190DN    HES3D-E190BL

- 3 WAY adjustment function allows vertical, horizontal, and depth adjustment after hinge installed.
- Easy installation and adjustment.
- Successfully passed 300,000 open/close private cycle tests.
- Supplied with steel flat head screw.
- Cover hides all screw heads for clean appearance.
- Door weight : Max. 100kg (220lbs)/2pcs, 125kg (275lbs)/3pcs
- Door Thickness : Min. 38mm(1-1/2")
- Max. Door Size : H 2400mm (94-1/2") x W 900mm (35-7/16")

Item No.	Weight	Box	Carton
HES3D-E190PN	1050g	2pcs	12pcs
HES3D-E190DC			
HES3D-E190DN			
HES3D-E190BL			

No.	Part Name	Material	Finish/Color
①	Body	Zinc Alloy	Polished Nickel (PN) Dull Chrome (DC) Dull Nickel (DN) Matte Black (BL)
②	Base Frame	Zinc Alloy	Polished Nickel (PN) Dull Chrome (DC) Dull Nickel (DN) Matte Black (BL)
③	Arm	Aluminum	Polished Nickel (PN) Dull Chrome (DC) Dull Nickel (DN) Matte Black (BL)
④	Pin	304 Stainless Steel	-
⑤	Cover	ABS	Polished Nickel (PN) Dull Chrome (DC) Dull Nickel (DN) Matte Black (BL)



Bore Dimensions