

halliday

CREATING CLASSICS

baillie

Lock Sets



HB 690

HB 695

HB 697

HB 630, HB 632

HB 638

HB 640, HB 642

HB 1480/44

HB 1490/44

HB 1810, HB 1820

Flush Bolts

Flush Pulls



HB 650

HB 660

HB 660 /35

HB 670

HB 675

HB 665

HB 668

HB 677

HB 1470

HB 1475

HB 1575

Edge Pulls



HB 680

HB 682

HB 683

Magnetic Door Stops



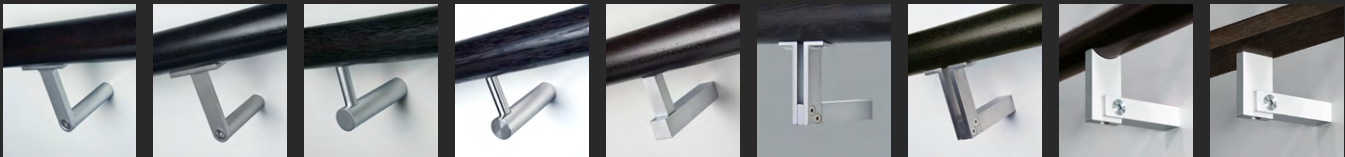
HB 710

HB 710-L

HB 720

HB 760

Handrail Brackets



HB 500

HB 510

HB 520

HB 530

HB 540

HB 550

HB 555

HB 560

HB 570

Continuous Drawer Pulls



HB 370 + HB 375

HB 380

HB 382

HB 385

HB 387

Coat Hooks



HB 440 / 450 / 460

HB 443 / 453 / 463

Window Stays



HB 1901, HB 1902



THE FINISHES

All Halliday+Baillie sliding door hardware is available in the following luxurious and durable finishes. Contact your dealer for finish samples.



SC : Satin Chrome



BC : Brushed Chrome



PC : Polished Chrome



BN : Brushed Nickel
also available for Door Stops



PN : Polished Nickel



DB : Dark Bronze
also available for Door Stops



KC : Black Chrome

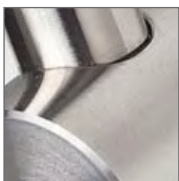


WT : Powder-Coated White

Halliday+Baillie Handrail Brackets are available in the following finishes:



SC : Satin Chrome
for Aluminum Handrail Brackets and Door Stops



BS : Brushed Stainless Steel
for Stainless Steel Handrail Brackets



HB 690 Series Privacy Locks

HB 690 : Snib Inside, Emergency Release Outside, Edge Pull

HB 690/35 : Snib Inside, Emergency Release Outside, Edge Pull, Shallow Pulls for 35mm doors

HB 694 : Snib Both Sides, Edge Pull

HB 695 : Snib Inside, Emergency Release Outside, 250mm Pulls, Edge Pull

HB 697 : Strike Body for Pocket Door Locks, Edge Pull, for Passive Leaf

HB 630 Series Keyed Locks

HB 630 : Key/Snib Both Sides

HB 632 : Key/Snib Inside, Blank Pull Outside

HB 633 : Key/Snib Inside, No Pull Outside

HB 636 : Key/Snib Inside, No Pull Outside, Edge Pull

HB 638 : Key/Snib Both Sides, Edge Pull

HB 640 Narrow Backset Keyed Locks

HB 640 : Key/Snib Both Sides

HB 642 : Key/Snib Inside, Blank Pull Outside

HB 643 : Key/Snib Inside, No Pull Outside

HB 648 : Privacy, HB 665 Snib One Side

HB 649 : Privacy, HB 660 Snib One Side

HB 1400 Series Privacy Locks

HB 1480/44 : For Pivot Doors, Snib Inside, Emergency Release Outside, 310mm Pulls

HB 1490/44 : Snib Inside, Emergency Release Outside, 310mm Pulls, Edge Pull

HB 1800 Series Flush Bolts

HB 1810 : Flush Bolt w/ Flat Throw Bolt

HB 1820 : Flush Bolt w/ Round Throw Bolt

HB 1825 : Extension Bolt for HB 1820 Flush Bolt

Add the Finish Code after the model number and specify the door thickness.

**halliday
baillie**

HB 690

SLIDING DOOR PRIVACY SET

The Halliday+Baillie HB 690 sliding door privacy set features an integrated push button-activated edge pull for pocket doors. The operable snib slides upwards to engage the lock. The discrete emergency release can be operated with a pen or other small, pointed object to disengage the lock from the outside.

In double door conditions, for the passive leaf specify the HB 697 Strike Body w/ Edge Pull and add HB 660 Flush Pulls.

backset : 55mm (2.17")

minimum door thickness : 38mm (1 1/2")

Note : for 1 3/8" thick doors, refer to HB 690/35

flush pulls : 170mm (6.69") x 36mm (1.41") x 14mm (.55")

available in the following finishes :

SC : Satin Chrome

BC : Brushed Chrome

PC : Polished Chrome

BN : Brushed Nickel

PN : Polished Nickel

DB : Dark Bronze

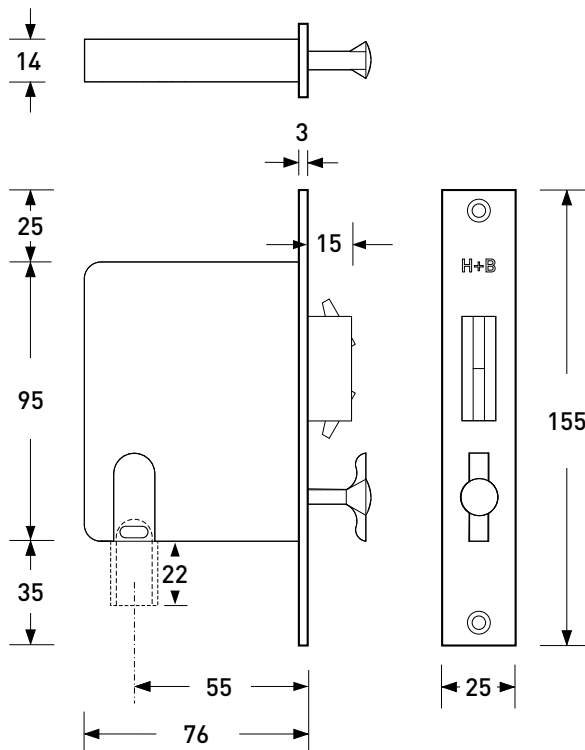
KC : Black Chrome (by special order)

WT : Powder-Coated White (by special order)

standard HB 690 set includes:

- HB 690 Series Lock Body
- 2 Flush Pulls and HB 604 Timber Fixing Kits
- Strike & Dust Box
- Spindle (please specify door thickness) & Indicator
- Fasteners

Lock body



**halliday
baillie**

HB 690/35

SLIDING DOOR PRIVACY SET : SHALLOW

The Halliday+Baillie HB690/35 sliding door privacy set is the same as the HB 690, except the shallower flush pulls allow it to be installed on doors that are 35mm (1 3/8") thick. The lock body features an integrated push button-activated edge pull for pocket doors. The operable snib slides upwards to engage the lock. The discrete emergency release can be operated with a pen or other small pointed object to disengage the lock from the outside.

In double door conditions, for the passive leaf specify the HB697 Strike Body and add HB660/35 Flush Pulls.

backset : 55mm (2.17")

minimum door thickness : 35mm (1 3/8")

flush pulls : 170mm (6.69") x 36mm (1.41") x 12mm (.47")

available in the following finishes :

SC : Satin Chrome

BC : Brushed Chrome

PC : Polished Chrome

BN : Brushed Nickel

PN : Polished Nickel

DB : Dark Bronze

KC : Black Chrome (by special order)

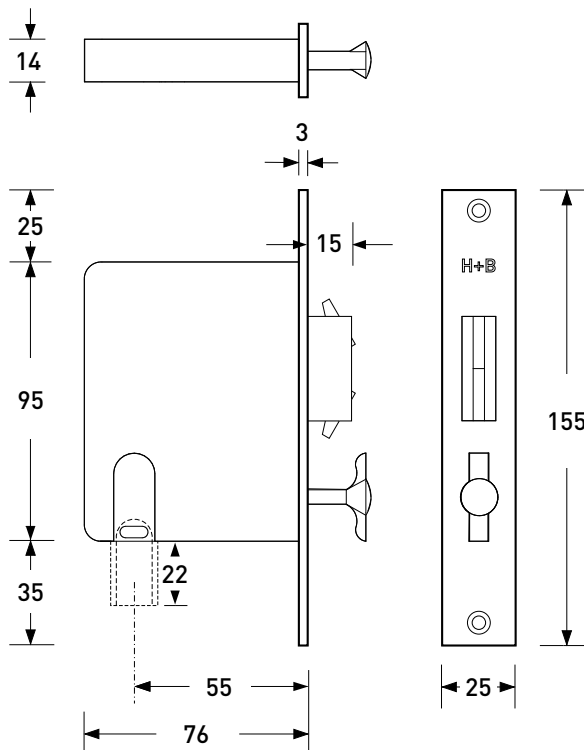
WT : Powder-Coated White (by special order)

standard HB 690/35 set includes:

- HB 690 Series Lock Body
- 2 Flush Pulls and HB 604 Timber Fixing Kits
- Strike & Dust Box
- Spindle (please specify door thickness) & Indicator
- Fasteners



Lock body



**halliday
baillie**

HB 695

SLIDING DOOR PRIVACY SET

The HB 695 sliding door privacy set features the HB 690 lockset for pocket doors but with taller 250mm high flush pulls. The operable snib slides upwards to engage the lock. The discrete emergency release can be operated with a pen or other small, pointed object to disengage the lock.

In double door conditions, for the passive leaf specify the HB 697 Strike Body w/Edge Pull and add HB 665 Flush Pulls.

backset : 55mm (2.17")

minimum door thickness : 38mm (1½")

flush pulls : 250mm (9.84") x 36mm (1.41") x 14mm (.55")

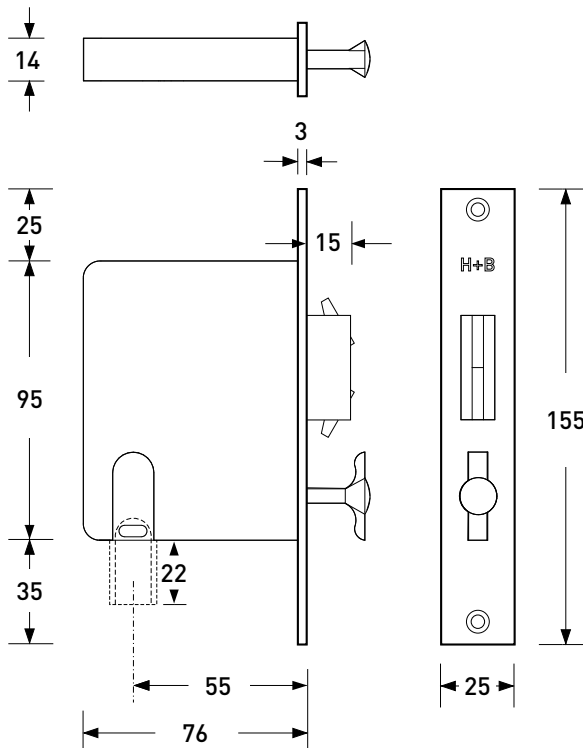
available in the following finishes :

- SC : Satin Chrome
- BC : Brushed Chrome
- PC : Polished Chrome
- BN : Brushed Nickel
- PN : Polished Nickel
- DB : Dark Bronze
- KC : Black Chrome (by special order)
- WT : Powder-Coated White (by special order)

standard HB 695 set includes:

- HB 690 Series Lock Body
- 2 Flush Pulls w/ HB 604 Timber Fixing Kits
- Strike & Dust Box
- Spindle (please specify door thickness) & Indicator
- Fasteners

Lock body



**halliday
baillie**

HB 697

SLIDING DOOR STRIKE BODY WITH INTEGRATED EDGE PULL

The Halliday+Baillie HB697 pocket door strike body is designed to be paired with the HB 690 series sliding door locks in bi-parting pocket door situations. The HB 697 integrates a strike with the HB 690 series push button-activated edge pull.

Flush pulls are not included; *please order separately.*

minimum door thickness : 38mm (1½") when used with HB 660 or HB 665 flush pulls.

For 1¾" thick doors specify HB 660/35.

flush pulls : order separately

available in the following finishes :

- SC : Satin Chrome
- BC : Brushed Chrome
- PC : Polished Chrome
- BN : Brushed Nickel
- PN : Polished Nickel
- DB : Dark Bronze
- KC : Black Chrome (by special order)
- WT : Powder-Coated White (by special order)

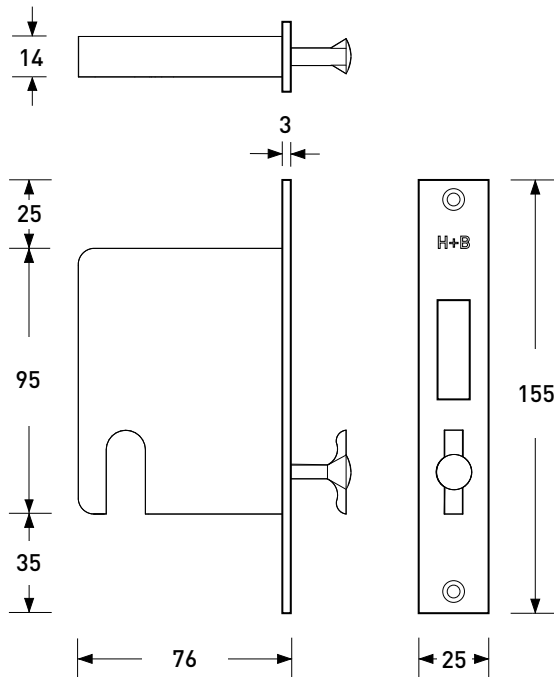
standard HB 697 set includes:

- HB 697 Strike Body
- Fasteners



shown here with HB 660 flush pull (not included)

Lock body





halliday
baillie

DESIGNED AND MADE IN NEW ZEALAND

**halliday
baillie**

HB 630

SLIDING DOOR ENTRY LOCK SET

The Halliday+Baillie HB 630 sliding door lock set is keyed on both sides. Sliding the snib on either side operates the bolt unless the cylinder is engaged. The cylinder locks the snib; the key does not operate the bolt.

backset : 55mm (2.17")

minimum door thickness : 38mm (1 1/2")

flush pulls : 250mm (9.80") x 36mm (1.41") x 14mm (.55")

available in the following finishes :

SC : Satin Chrome

BC : Brushed Chrome

PC : Polished Chrome

BN : Brushed Nickel

PN : Polished Nickel

DB : Dark Bronze

KC : Black Chrome (by special order)

WT : Powder-Coated White (by special order)

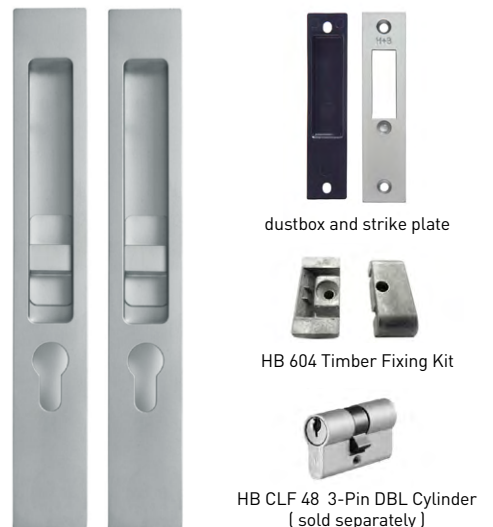
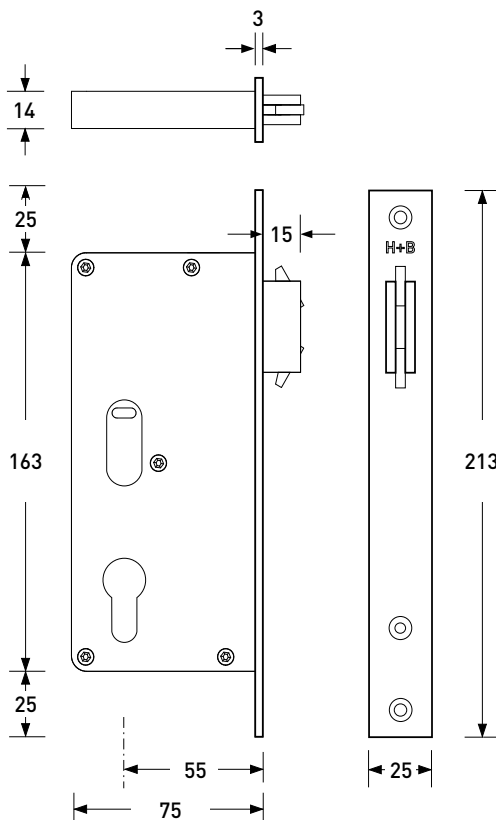
standard HB 630 set includes :

- HB 630 Series Lock Body
- 2 Flush Pulls w/ HB 604 Timber Fixing Kits
- Strike & Dust Box
- Spindle (please specify door thickness)
- Fasteners

The Full Profile Cylinder is sold separately.



Lock body



**halliday
baillie**

HB 632

SLIDING PATIO DOOR LOCK SET

The Halliday+Baillie HB 632 sliding door lock set is keyed on the inside only, for use where access from the exterior is not required when doors are locked. Sliding the snib on the inside operates the bolt unless the cylinder is engaged. The cylinder locks the snib; the key does not operate the bolt. The HB 632 requires a half profile cylinder.

backset : 55mm (2.17")

minimum door thickness : 38mm (1½")

flush pulls : 250mm (9.80") x 36mm (1.41") x 14mm (.55")

available in the following finishes :

- SC : Satin Chrome
- BC : Brushed Chrome
- PC : Polished Chrome
- BN : Brushed Nickel
- PN : Polished Nickel
- DB : Dark Bronze
- KC : Black Chrome (by special order)
- WT : Powder-Coated White (by special order)

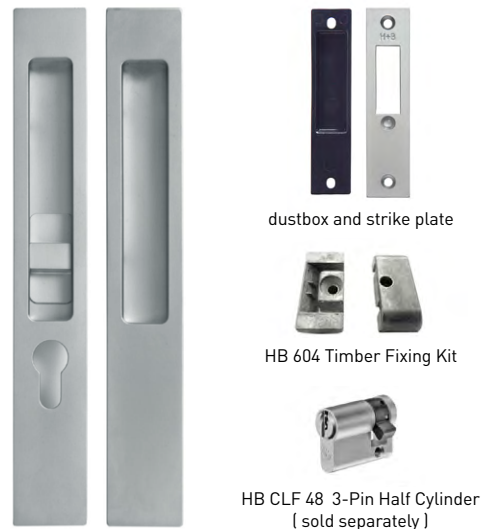
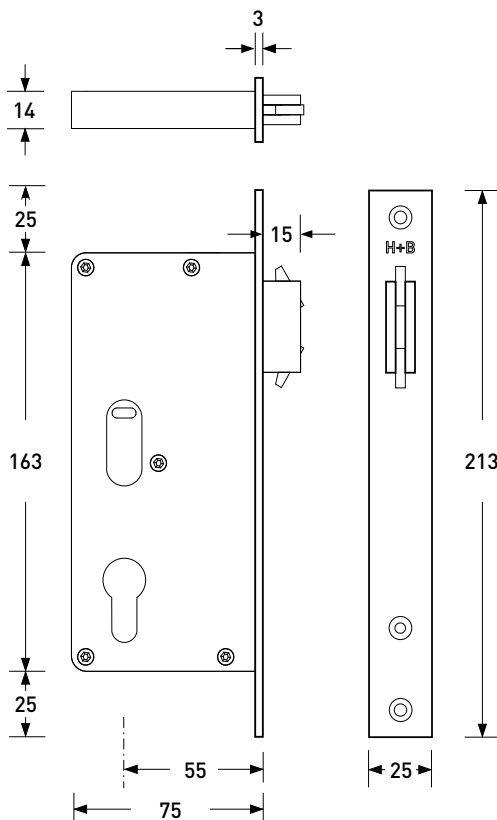
standard HB 632 set includes :

- HB 630 Series Lock Body
- 2 Flush Pulls w/ HB 604 Timber Fixing Kits
- Strike & Dust Box
- Spindle (please specify door thickness)
- Fasteners

The Half Profile Cylinder is sold separately.



Lock body



**halliday
baillie**

HB 638

SLIDING DOOR ENTRY LOCK SET

The Halliday+Baillie HB 638 pocket door lock set is keyed on both sides and features a swing-out edge pull. Sliding the snib on either side operates the bolt unless the cylinder is engaged. The cylinder locks the snib; the key does not operate the bolt.

backset : 55mm (2.17")

minimum door thickness : 38mm (1 1/2")

flush pulls : 250mm (9.80") x 36mm (1.41") x 14mm (.55")

available in the following finishes :

SC : Satin Chrome

BC : Brushed Chrome

PC : Polished Chrome

BN : Brushed Nickel

PN : Polished Nickel

DB : Dark Bronze

KC : Black Chrome (by special order)

WT : Powder-Coated White (by special order)

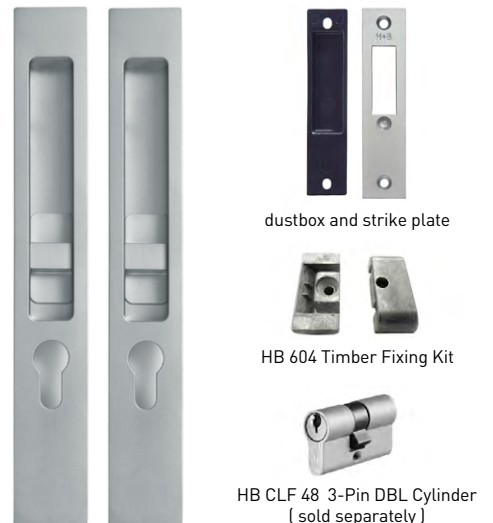
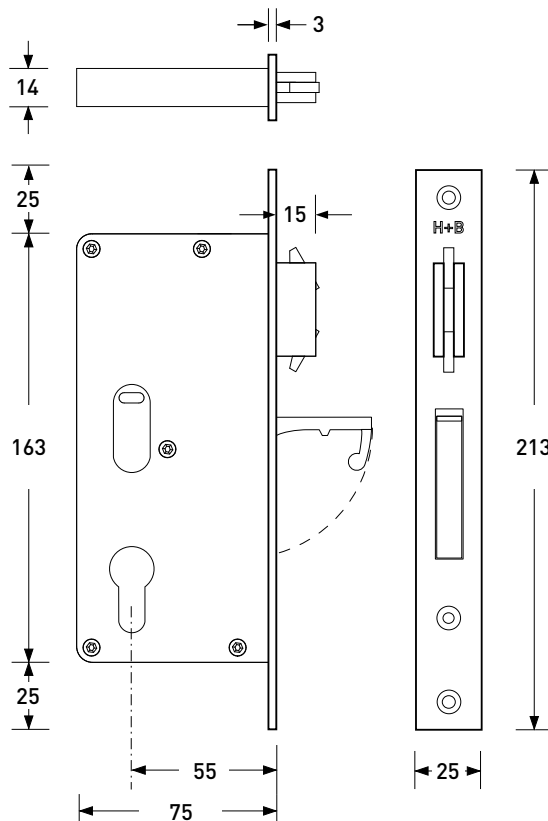
standard HB 638 set includes :

- HB 630 Series Lock Body w/ Edge Pull
- 2 Flush Pulls w/ HB 604 Timber Fixing Kits
- Strike & Dust Box
- Spindle (please specify door thickness)
- Fasteners

The Full Profile Cylinder is sold separately.



Lock body



**halliday
bailie**

HB 640

SLIDING DOOR ENTRY LOCK SET NARROW BACKSET

The Halliday+Baillie HB 640 sliding door lock set functions like the HB 630, keyed on both sides, but with a narrow backset of 33mm and a lock body depth of 45mm. It is designed for use in aluminum or timber sliding doors with narrow stiles of at least 54mm (2 1/8").

Sliding the snib on either side operates the bolt unless the cylinder is engaged. The cylinder locks the snib; the key does not operate the bolt.

backset : 33mm (1.30")

minimum door thickness : 38mm (1 1/2")

flush pulls : 250mm (9.80") x 36mm (1.41") x 14mm (.55")

available in the following finishes :

SC : Satin Chrome

BC : Brushed Chrome

PC : Polished Chrome

BN : Brushed Nickel

PN : Polished Nickel

DB : Dark Bronze

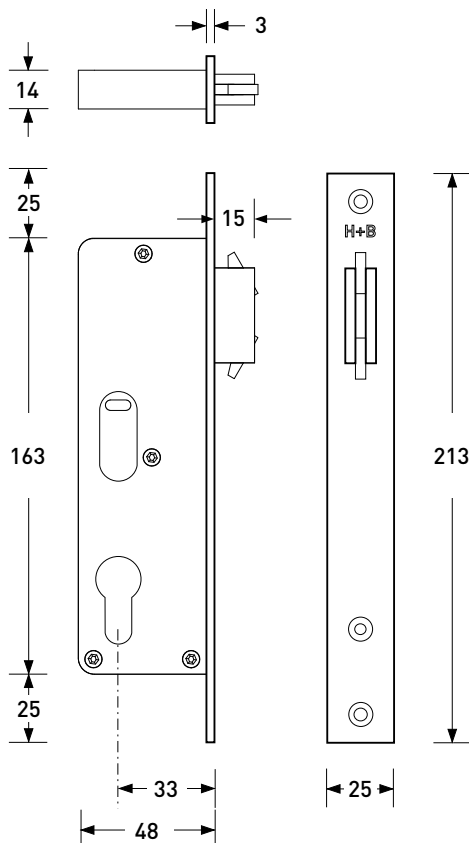
KC : Black Chrome (by special order)

WT : Powder-Coated White (by special order)

standard HB 640 Set includes :

- HB 640 Narrow Backset Lock Body
- 2 Flush Pulls w/ HB 604 Timber Fixing Kits
- Strike & Dust Box
- Spindle (please specify door thickness)
- Fasteners

The Full Profile Cylinder is sold separately.



Lock body



dustbox and strike plate



HB 604 Timber Fixing Kit



HB CLF 48 3-Pin DBL Cylinder
(sold separately)

**halliday
baillie**

HB 642

SLIDING DOOR PATIO DOOR LOCK SET NARROW BACKSET

The Halliday+Baillie HB 642 sliding door lock is keyed on the inside only, for use where access from the exterior is not required when doors are locked. With a narrow backset of 33mm and a lock body depth of 45mm, it is designed for use in aluminum or timber sliding doors with narrow stiles of at least 54mm (2 1/8").

Sliding the snib on either side operates the bolt unless the cylinder is engaged. The cylinder locks the snib; the key does not operate the bolt.

backset : 33mm (1.30")

minimum door thickness : 38mm (1 1/2")

flush pulls : 250mm (9.80") x 36mm (1.41") x 14mm (.55")

available in the following finishes :

SC : Satin Chrome

BC : Brushed Chrome

PC : Polished Chrome

BN : Brushed Nickel

PN : Polished Nickel

DB : Dark Bronze

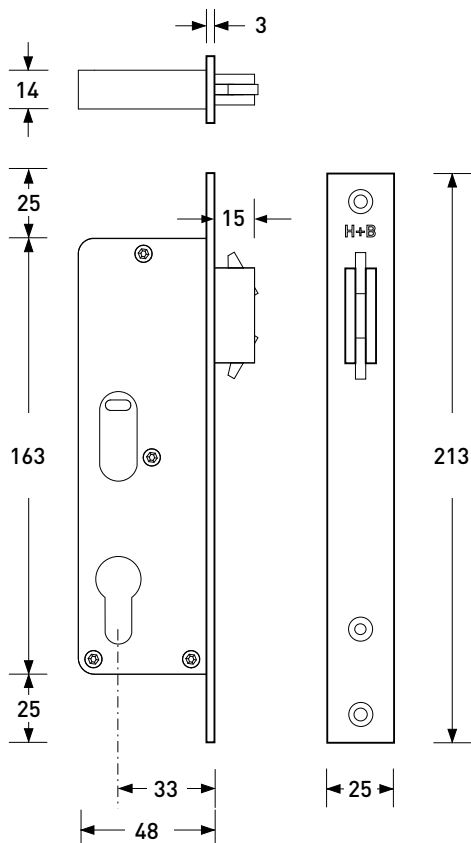
KC : Black Chrome (by special order)

WT : Powder-Coated White (by special order)

standard HB 640 Set includes :

- HB 640 Narrow Backset Lock Body
- 2 Flush Pulls w/ HB 604 Timber Fixing Kits
- Strike & Dust Box
- Spindle (please specify door thickness)
- Fasteners

Half Profile Cylinder is sold separately.



**halliday
baillie**

HB 1480/44

PIVOT DOOR PRIVACY SET

The Halliday+Baillie HB 1480/44 pivot door privacy set features the HB 690 series lock body minus the edge pull, paired with generous 310 x 50mm flush pulls. The large operable snib slides upwards to engage the lock. The discrete emergency release can be operated with a pen or other small, pointed object to disengage the lock.

In double door conditions, for the passive leaf specify the HB 697 Strike Body and add HB 1475 Flush Pulls.

Also available in snib/blank and snib/snib configurations—contact your representative to discuss.

NOTE: This lockset is handed. Please specify **LH-in** or **RH-in**. **HB1480/44-LH-in** is shown here.

backset : 55mm (2.17")

minimum door thickness : 44.5Coomm (1.75")

flush pulls : 310mm (12.20")x 50mm (1.96") x13.5mm (.53")

available in the following finishes :

SC : Satin Chrome

BC : Brushed Chrome

PC : Polished Chrome

BN : Brushed Nickel

PN : Polished Nickel

DB : Dark Bronze

KC : Black Chrome (by special order)

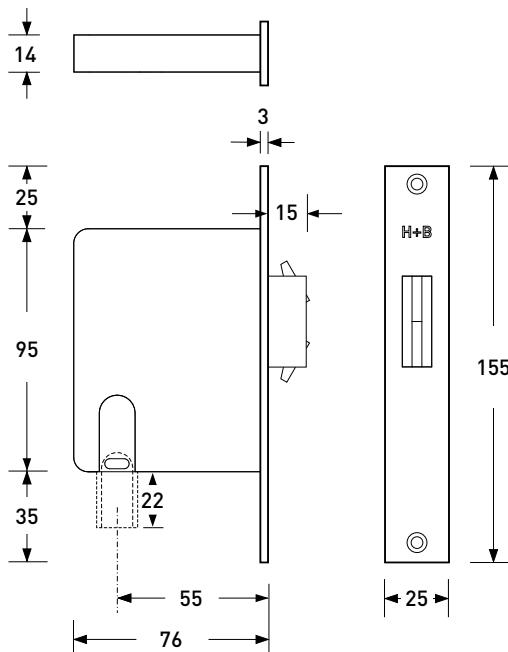
WT : Powder-Coated White (by special order)

standard HB 1480/44 set includes:

- HB 690 Series Lock Body
- 2 Flush Pulls w/ HB 1410 Timber Fixing Kits
- Strike & Dust Box
- Spindle (please specify door thickness) & Indicator
- Fasteners



Lock body



**halliday
baillie**

HB 1490/44

SLIDING DOOR PRIVACY SET

The Halliday+Baillie HB 1490/44 sliding door privacy set features the HB 690 series lock body, with its integrated edge pull, paired with generous 310 x 50mm flush pulls. The large operable snib slides upwards to engage the lock. The discrete emergency release can be operated with a pen or other small, pointed object to disengage the lock from the outside.

In double door conditions, for the passive leaf specify the HB 697 Strike Body w/Edge Pull and add HB 1470 Flush Pulls.

backset : 55mm (2.17")

minimum door thickness : 44.5mm (1.75")

flush pulls : 310mm (12.20")x50mm (1.96") x13.5mm (.53")

available in the following finishes :

SC : Satin Chrome

BC : Brushed Chrome

PC : Polished Chrome

BN : Brushed Nickel

PN : Polished Nickel

DB : Dark Bronze

KC : Black Chrome (by special order)

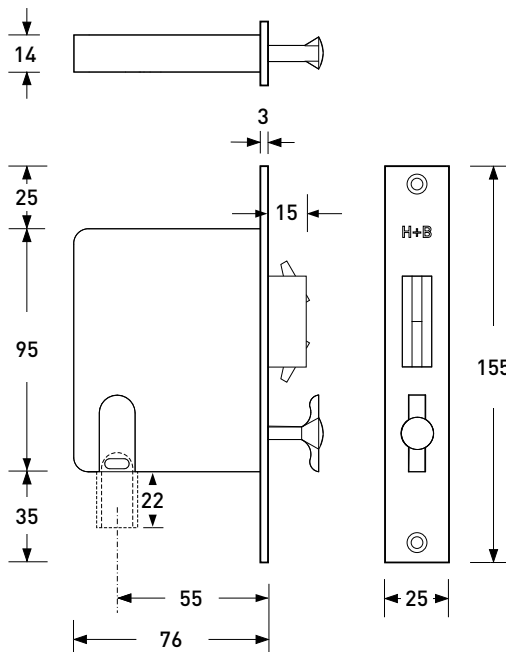
WT : Powder-Coated White (by special order)

standard HB 1490/44 set includes:

- HB 690 Series Lock Body
- 2 Flush Pulls w/ HB 1410 Timber Fixing Kits
- Strike & Dust Box
- Spindle (please specify door thickness) & Indicator
- Fasteners



Lock body



HB 1810

FLUSH BOLT (FLAT THROW)

The HB 1810 Flush Bolt evolved from the popular HB 600 Flush Bolt Series. The HB 1810 is especially suitable for aluminum joinery, and incorporates a tension adjusting mechanism in the back for smooth and secure operation. For situations where the operation of the bolt needs to be further away from the top of the door (e.g. tall doors), specify the HB 1820 which offers an optional one meter long extension kit (HB1825).

Each HB 1810 Flush Bolt set is shipped with the HB 1812 Timber Fixing Kit, a standard strike plate, and all fasteners.

Note: please check dimensioned drawing to determine the suitability of this flush bolt with your track requirements.

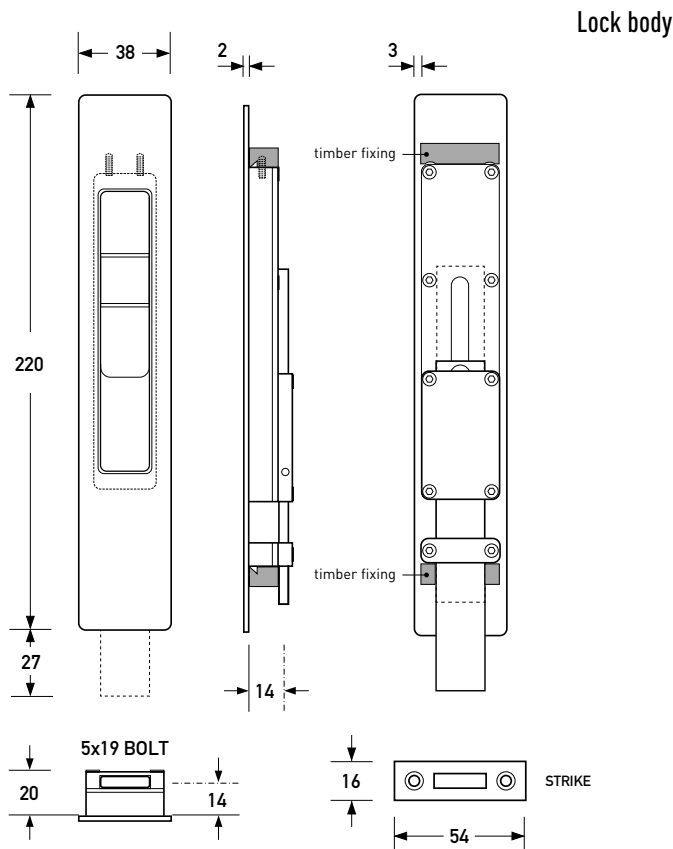
For timber doors please use the HB 1820 Flush Bolt.

material : solid brass

throw : 27mm (1.06"), 5x19mm flat brass bolt

available in the following finishes :

- SC : Satin Chrome
- BC : Brushed Chrome
- PC : Polished Chrome
- BN : Brushed Nickel
- PN : Polished Nickel
- DB : Dark Bronze
- KC : Black Chrome (by special order)
- WT : Powder-Coated White (by special order)



HB 1820

FLUSH BOLT (ROUND THROW)

The HB 1820 Flush Bolt evolved from the popular HB 600 Flush Bolt Series, providing enhanced functionality and heavy-duty construction. The HB 1820 incorporates the same tension adjusting mechanism as the HB 1810 for smooth and secure operation. For situations where the operation of the bolt needs to be further away from the top or bottom of the door (e.g. tall doors), HB1820 offers an optional one meter long extension kit (HB1825) which can be cut to the required length on site.

The standard HB 1820 Flush Bolt set is shipped with the HB 1812 Timber Fixing Kit, a standard strike plate, and all fasteners.

The HB 1835 spring-loaded dust-free strike is ordered separately.

Note: please check dimensioned drawing to determine the suitability of this flush bolt with your track requirements.

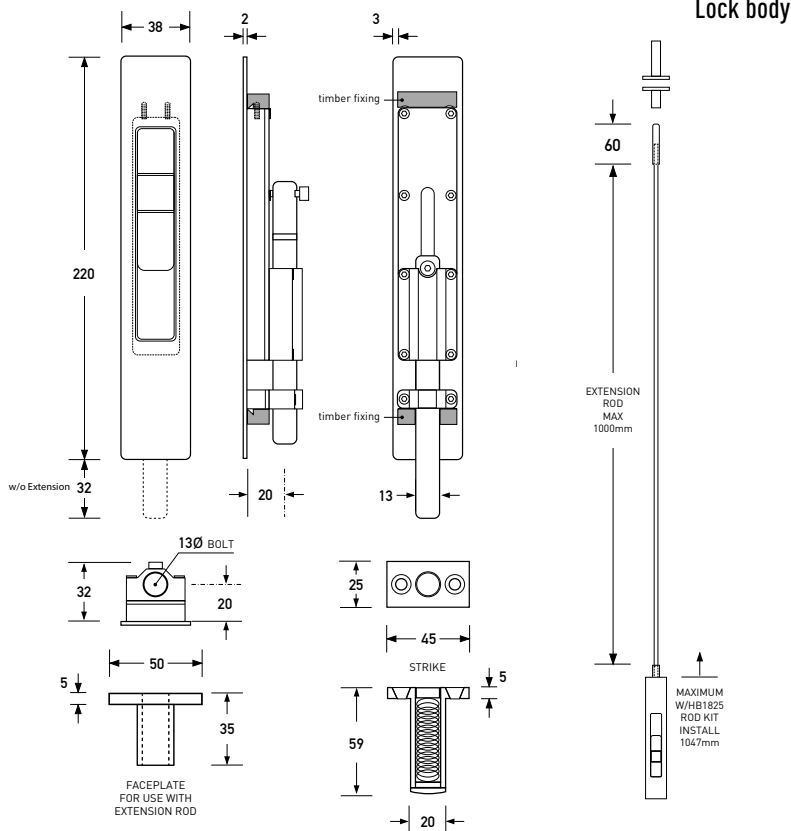
For aluminum doors please specify the HB 1810 Flush Bolt.

material : solid brass

throw : 32mm (1.26"), 13mm diameter bolt

available in the following finishes :

- SC : Satin Chrome
- BC : Brushed Chrome
- PC : Polished Chrome
- BN : Brushed Nickel
- PN : Polished Nickel
- DB : Dark Bronze
- KC : Black Chrome (by special order)
- WT : Powder-Coated White (by special order)



HB 1825

EXTENSION ROD KIT

Ordered separately for use with the HB 1820 Flush Bolt, the kit provides a total extension of up to 1047mm (41.22") between the body of the flush bolt and the end of the bolt. The separate bolt screws into the end of the extension rod.

rod length : maximum 1 meter

The HB 1825 extension kit ships **with** the HB 1835 spring-loaded dust-free strike, which can also be ordered separately.



HB 650 : 105 mm x 36 mm x 14 mm
HB 660 : 170 mm x 36 mm x 14 mm
HB 660/35 : 170 mm x 36 mm x 12 mm
HB 665 : 250 mm x 36 mm x 14 mm
HB 668 : 250 mm x 36 mm x 14 mm
HB 670 : 170 mm x 36 mm x 18 mm
HB 675 : 170 mm x 46 mm x 18 mm
HB 677 : 250 mm x 46 mm x 18 mm
HB 1470 : 310 mm x 50 mm x 15 mm
HB 1475 : 310 mm x 50 mm x 15 mm
HB 1575 : 510 mm x 70 mm x 17 mm

HB 680 : push button activated edge pull
HB 682 : small push-and-release edge pull
HB 683 : small push-and-release edge pull

Add the Finish Code after the model number.

FLUSH PULLS + EDGE PULLS

HB 650

FLUSH PULL

The Halliday+Baillie HB 650 Flush Pull is the diminutive version of the classic HB 660. Use this pull with the HB 680 Edge Pull for pocket doors for a modest passage set or for smaller doors, windows, or cabinetry to provide a consistent appearance in a project where other Halliday+Baillie Flush Pulls are specified.

Each HB 650 Flush Pull is shipped with one set of the HB 604 Timber Fixing hardware, previously sold separately.

material : diecast zinc and brass

dimensions : 105mm (4.13") x 36mm (1.41") x 14mm (.55")

internal grip depth : 12mm (.47")

available in the following finishes :

SC : Satin Chrome

BC : Brushed Chrome

PC : Polished Chrome

BN : Brushed Nickel

PN : Polished Nickel

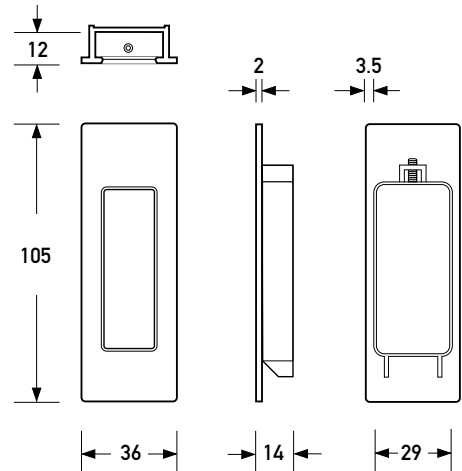
DB : Dark Bronze

KC : Black Chrome (by special order)

WT : Powder-Coated White (by special order)



Ships with one HB 604 Timber Fixing Kit



HB 660

FLUSH PULL

The Halliday+Baillie HB 660 Flush Pull sets the standard for elegant simplicity. Use this pull with the HB 680 Edge Pull for pocket passage doors and on projects where the HB 690 sliding door lock is specified for privacy doors.

If using together with the HB 680 Edge Pull on 1 $\frac{3}{8}$ " thick doors, please specify the HB 660/35.

Each HB 660 Flush Pull is shipped with one set of the HB 604 Timber Fixing hardware, previously sold separately.

material : diecast zinc and brass

dimensions : 170mm (6.70") x 36mm (1.41") x 14mm (.55")

internal grip depth : 12mm (.47")

available in the following finishes :

SC : Satin Chrome

BC : Brushed Chrome

PC : Polished Chrome

BN : Brushed Nickel

PN : Polished Nickel

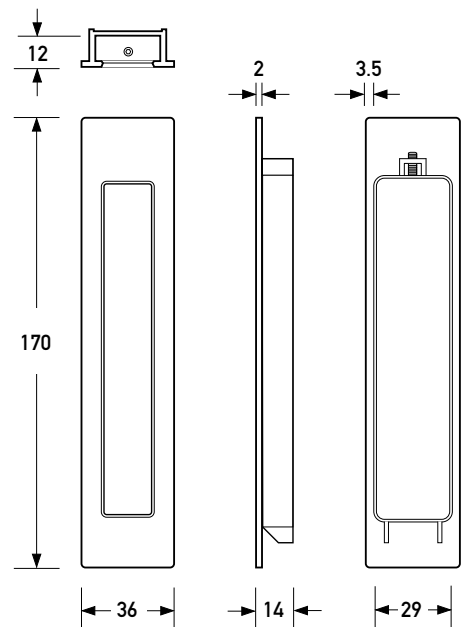
DB : Dark Bronze

KC : Black Chrome (by special order)

WT : Powder-Coated White (by special order)



Ships with one HB 604 Timber Fixing Kit



HB 660/35

FLUSH PULL SHALLOW

The Halliday+Baillie HB 660/35 Flush Pull provides the same dimensions as the standard HB 660 but with a shallower depth for use together with the HB 680 Edge Pull on 35mm (1 3/8") doors.

Each HB 660/35 Flush Pull is shipped with one set of the HB 604 Timber Fixing hardware, previously sold separately.

material : diecast zinc and brass

dimensions : 170mm (6.70") x 36mm (1.41") x 12mm (.47")

internal grip depth : 12mm (.47")

available in the following finishes :

SC : Satin Chrome

BC : Brushed Chrome

PC : Polished Chrome

BN : Brushed Nickel

PN : Polished Nickel

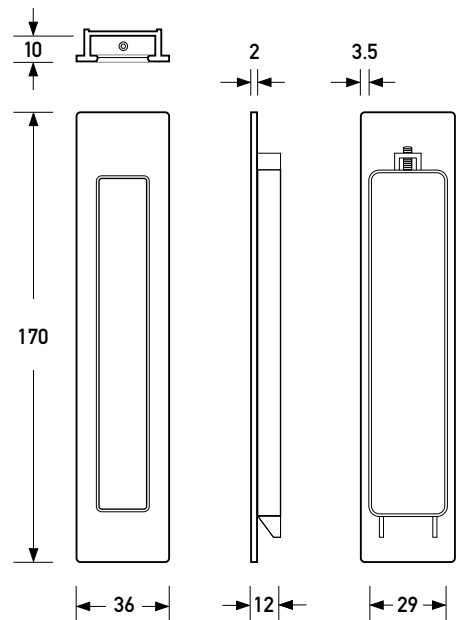
DB : Dark Bronze

KC : Black Chrome (by special order)

WT : Powder-Coated White (by special order)



Ships with one HB 604 Timber Fixing Kit



HB 670

FLUSH PULL DEEP

The HB 670 is a variant of the HB 660 with the same external dimensions but a deeper internal depth of 16mm. It is ideal for applying the extra force you need to move large heavy sliders or when a more generous grip is preferred.

Each HB 670 Flush Pull is shipped with one set of the HB 604 Timber Fixing hardware, previously sold separately.

material : diecast zinc and brass

dimensions : 170mm (6.70") x 36mm (1.41") x 18mm (.71")

internal grip depth : 16mm (.63")

available in the following finishes :

SC : Satin Chrome

BC : Brushed Chrome

PC : Polished Chrome

BN : Brushed Nickel

PN : Polished Nickel

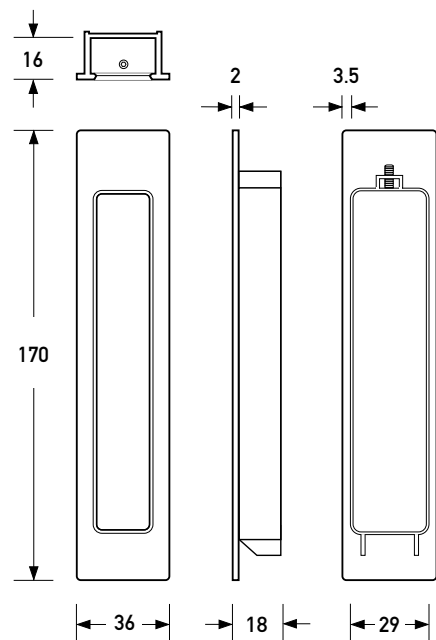
DB : Dark Bronze

KC : Black Chrome (by special order)

WT : Powder-Coated White (by special order)



Ships with one HB 604 Timber Fixing Kit





Ships with one HB 604 Timber Fixing Kit

HB 665

FLUSH PULL

The Halliday+Baillie HB 665 Flush Pull presents elegantly slim proportions for sliding doors where a larger scale presence is desired.

Each HB 665 Flush Pull is shipped with one set of the HB 604 Timber Fixing hardware, previously sold separately.

material : diecast zinc and brass

dimensions : 250mm (9.84") x 36mm (1.42") x 14mm (.55")

internal grip depth : 12mm (.47")

available in the following finishes :

SC : Satin Chrome

BC : Brushed Chrome

PC : Polished Chrome

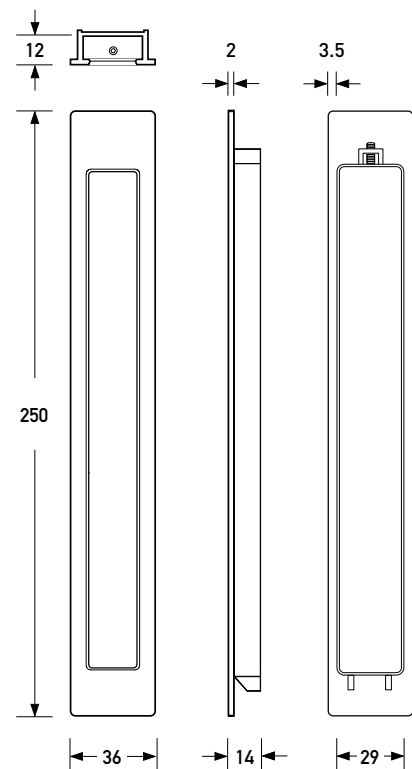
BN : Brushed Nickel

PN : Polished Nickel

DB : Dark Bronze

KC : Black Chrome (by special order)

WT : Powder-Coated White (by special order)



HB 668

FLUSH PULL

The Halliday+Baillie HB 668 Flush Pull matches the outlines of the 250mm flush pulls in the HB 630 Series keyed entry lock sets. Though it is perfect for mirroring the HB 630 in double door situations, it is a handsome flush pull in its own right.

Each HB 668 Flush Pull is shipped with one set of the HB 604 Timber Fixing hardware, previously sold separately.

material : diecast zinc and brass

dimensions : 250mm (9.84") x 36mm (1.42") x 14mm (.55")

internal grip depth : 12mm (.47")

available in the following finishes :

SC : Satin Chrome

BC : Brushed Chrome

PC : Polished Chrome

BN : Brushed Nickel

PN : Polished Nickel

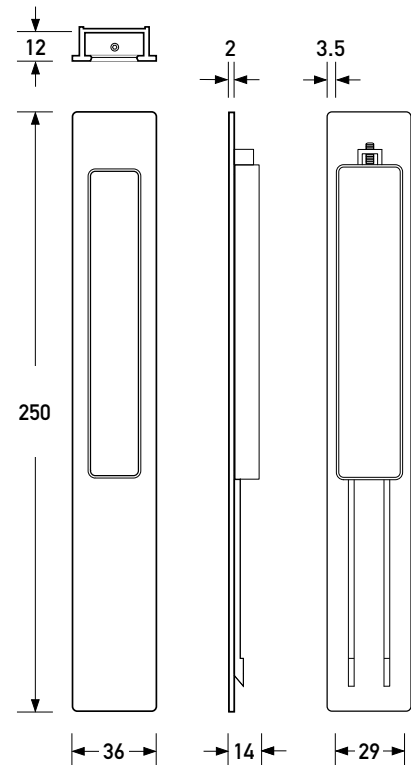
DB : Dark Bronze

KC : Black Chrome (by special order)

WT : Powder-Coated White (by special order)



Ships with one HB 604 Timber Fixing Kit



HB 675

BI-FOLD FLUSH PULL

Designed for use with bi-fold doors, the HB 675 Flush Pull also suits pivot doors or kitchen drawers. It provides a comfortable molded lip and generous 16mm (.63 ") internal depth.

NOTE: This pull is handed. Please specify **LH** or **RH**.
HB675-RH is shown here.

Each HB 675 Flush Pull is shipped with one set of the HB 604 Timber Fixing hardware, previously sold separately.

material : diecast zinc and brass

dimensions : 170mm (6.70") x 46mm (.81") x 18mm (.71")

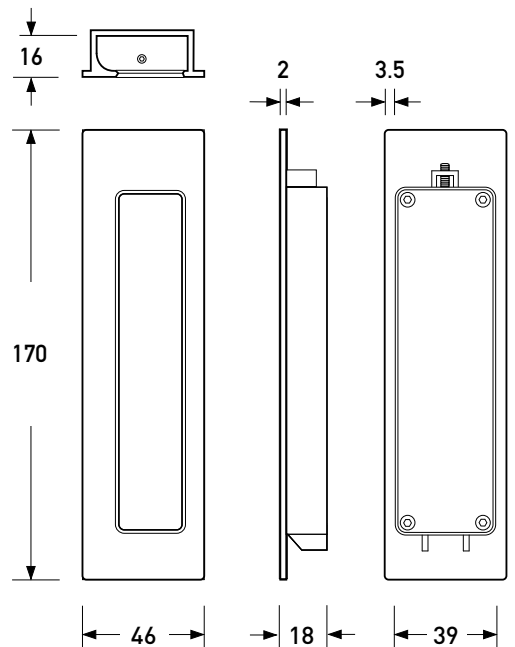
internal grip depth : 16mm (.63")

available in the following finishes :

- SC** : Satin Chrome
- BC** : Brushed Chrome
- PC** : Polished Chrome
- BN** : Brushed Nickel
- PN** : Polished Nickel
- DB** : Dark Bronze
- KC** : Black Chrome (by special order)
- WT** : Powder-Coated White (by special order)



Ships with one HB 604 Timber Fixing Kit





Ships with one HB 604 Timber Fixing Kit

HB 677

BI-FOLD FLUSH PULL

Where the HB665 Flush Pull or HB695 Lockset is being used for sliding doors, this bi-fold pull helps maintain visual consistency across all doors in the project. The HB 677 Flush Pull also suits pivot doors or kitchen drawers. It provides a comfortable molded lip and generous 16mm (.63") internal depth.

NOTE: This pull is handed. Please specify **LH** or **RH**.
HB677-RH is shown here.

Each HB 677 Flush Pull is shipped with one set of the HB 604 Timber Fixing hardware, previously sold separately.

material : diecast zinc and brass

dimensions : 250mm (9.84") x 46mm (.81") x 18mm (.71")

internal grip depth : 16mm (.63")

available in the following finishes :

SC : Satin Chrome

BC : Brushed Chrome

PC : Polished Chrome

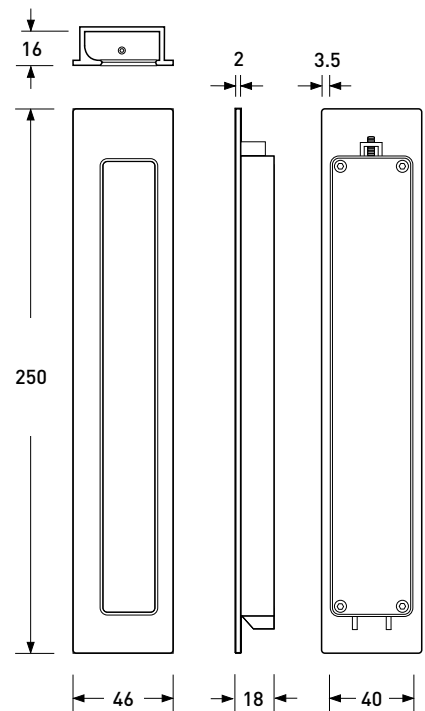
BN : Brushed Nickel

PN : Polished Nickel

DB : Dark Bronze

KC : Black Chrome (by special order)

WT : Powder-Coated White (by special order)





Ships with one HB 1410 Timber Fixing Kit

HB 1470

LARGE FLUSH PULL

Designed to complement the existing range of Halliday+Baillie Flush Pulls, the HB 1470 can sit comfortably on a large sliding door without looking inappropriately lost. It's companion, the HB 1475 Large Bi-Fold Plush Pull can be used on the same project to provide a consistent appearance between door types.

Each HB 1470 Flush Pull is shipped with one set of the HB 1410 Timber Fixing hardware, previously sold separately.

material : solid brass

dimensions : 310mm (12.20") x 50mm (1.96") x 15mm (.60")

internal grip depth : 13mm (.51")

available in the following finishes :

SC : Satin Chrome

BC : Brushed Chrome

PC : Polished Chrome

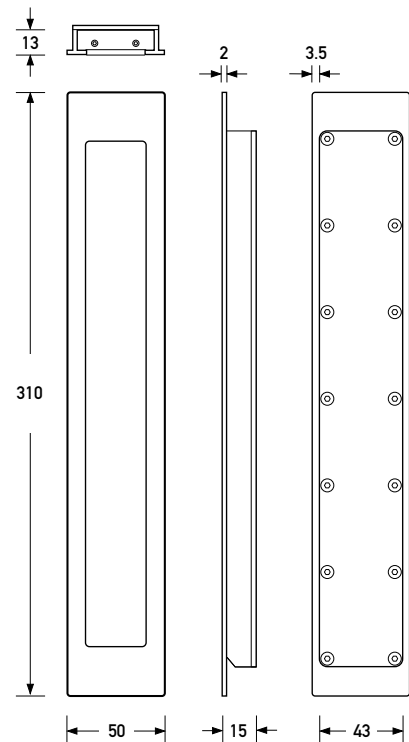
BN : Brushed Nickel

PN : Polished Nickel

DB : Dark Bronze

KC : Black Chrome (by special order)

WT : Powder-Coated White (by special order)





Ships with one HB 1410 Timber Fixing Kit

HB 1475

LARGE BI-FOLD FLUSH PULL

The HB 1475 Flush Pull is designed for greater ease in opening large pivot or bi-folding doors with its ample interior finger grip. Its equally impressive companion, the HB 1470 Large Flush Pull, can be used on the same project to provide a consistent appearance across door types.

NOTE: This flush pull is handed. Please specify **LH** or **RH**.
HB1475-LH is shown here.

Each HB 1475 Flush Pull is shipped with one set of the HB 1410 Timber Fixing hardware, previously sold separately.

material : solid brass

dimensions : 310mm (12.20") x 50mm (1.96") x 15mm (.60")

internal grip depth : 13mm (.51")

available in the following finishes :

SC : Satin Chrome

BC : Brushed Chrome

PC : Polished Chrome

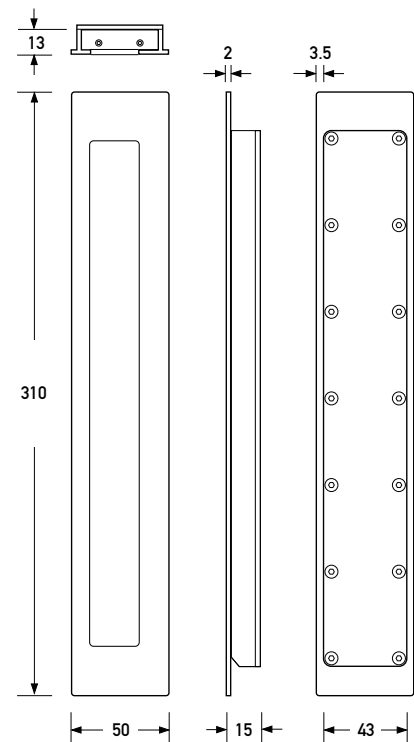
BN : Brushed Nickel

PN : Polished Nickel

DB : Dark Bronze

KC : Black Chrome (by special order)

WT : Powder-Coated White (by special order)



**halliday
baillie**

HB 1575

LARGE BI-FOLD FLUSH PULL

The HB 1575 is the newest and grandest addition to the Halliday+Baillie flush pull family. Its 20-inch height provides an appropriately-scaled pull for taller pivot or bi-fold doors, while its increased finger grip allows sufficient leverage for easier operation of heavier doors.

NOTE: This flush pull is handed. Please specify **LH** or **RH**. HB1575-RH is shown here.

Each HB 1575 Flush Pull is shipped with one set of the HB 1410 Timber Fixing hardware, previously sold separately.

material : solid brass

dimensions : 510mm (20") x 70mm (2.75") x 17mm (.67")

internal grip depth : 14mm (.55")

available in the following finishes :

SC : Satin Chrome

BC : Brushed Chrome

PC : Polished Chrome

BN : Brushed Nickel

PN : Polished Nickel

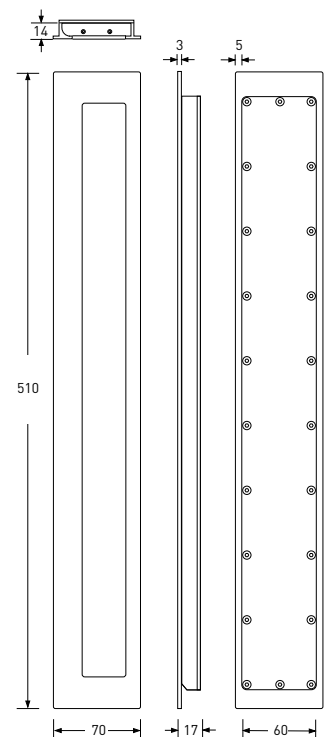
DB : Dark Bronze

KC : Black Chrome (by special order)

WT : Powder-Coated White (by special order)



Ships with one HB 1410 Timber Fixing Kit



**halliday
bailie**

HB 680

PUSH-BUTTON EDGE PULL

The Halliday+Baillie HB 680 Push Button-Activated Edge Pull for pocket doors has been redesigned to match the 170mm height of the HB 660 Flush Pull. Its slim faceplate, smooth push-button release, and shallow 49mm lock body depth make it suitable for all sliding wood passage doors, including narrow stile timber and aluminum pocket doors.

material : diecast zinc and brass

lock body : 100mm (3.90") x 49mm (1.90") x 12mm (.47")

pop-out projection : 19mm (.75")

available in the following finishes :

SC : Satin Chrome

BC : Brushed Chrome

PC : Polished Chrome

BN : Brushed Nickel

PN : Polished Nickel

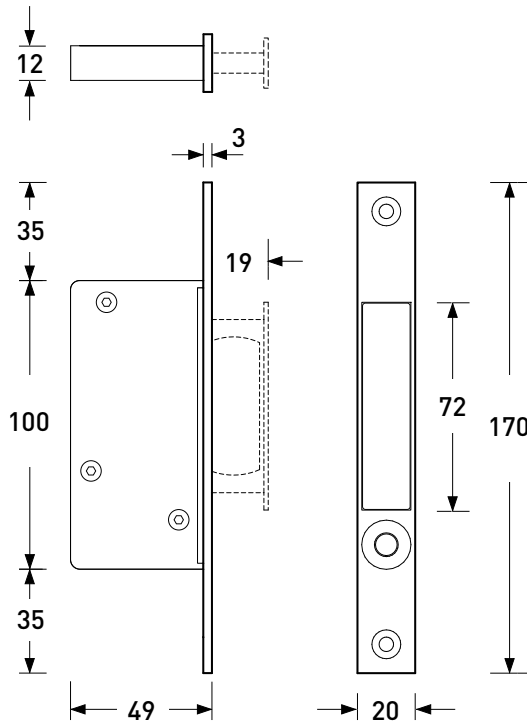
DB : Dark Bronze

KC : Black Chrome (by special order)

WT : Powder-Coated White (by special order)



shown here with HB 660 flush pull (not included)





HB 682

MINI PUSH-TO-RELEASE EDGE PULL

The Halliday+Baillie HB 682 Touch-and-Release Edge Pull for pocket doors has been designed to provide an ample two-finger pull handle in the smallest space possible. Toward a cleaner appearance, the fixing screws for the HB 682 have been entirely concealed. The handle can be removed for fixing the lock body into the mortised door. The smooth push-to-release action and small faceplate make it perfect for sliding wood doors where the most minimal hardware is preferred.

material : diecast zinc and brass

lock body : 59mm (2.32") x 18mm (.71") x 62mm (2.44")

pop-out projection : 18mm (.71")

available in the following finishes :

SC : Satin Chrome

BC : Brushed Chrome

PC : Polished Chrome

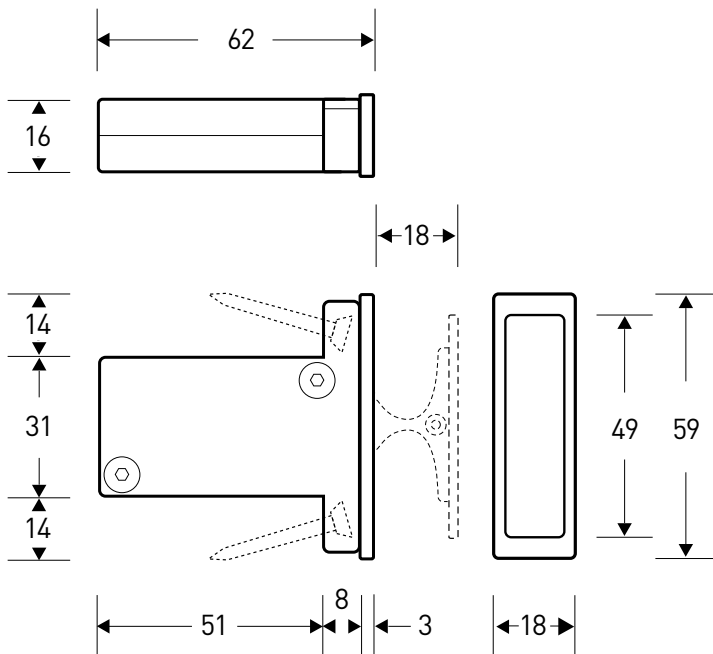
BN : Brushed Nickel

PN : Polished Nickel

DB : Dark Bronze

KC : Black Chrome (by special order)

WT : Powder-Coated White (by special order)





HB 683

MINI PUSH-TO-RELEASE EDGE PULL

The Halliday+Baillie HB 683 Touch-and-Release Edge Pull for pocket doors has been designed to match the edge pull integrated in the HB 690 Series Sliding Door Privacy Lock. Toward a cleaner appearance, the fixing screws for the HB 683 have been entirely concealed. The comfortable two-finger pull handle can be removed for fixing the lock body into the mortised door. The smooth push-to-release action and small faceplate make it perfect for sliding wood doors where the most minimal hardware is preferred or where consistency between doors with other Halliday+Baillie hardware is required.

material : diecast zinc and brass

lock body : 59mm (2.32") x 18mm (.71") x 62mm (2.44")

pop-out projection : 18mm (.71")

available in the following finishes :

SC : Satin Chrome

BC : Brushed Chrome

PC : Polished Chrome

BN : Brushed Nickel

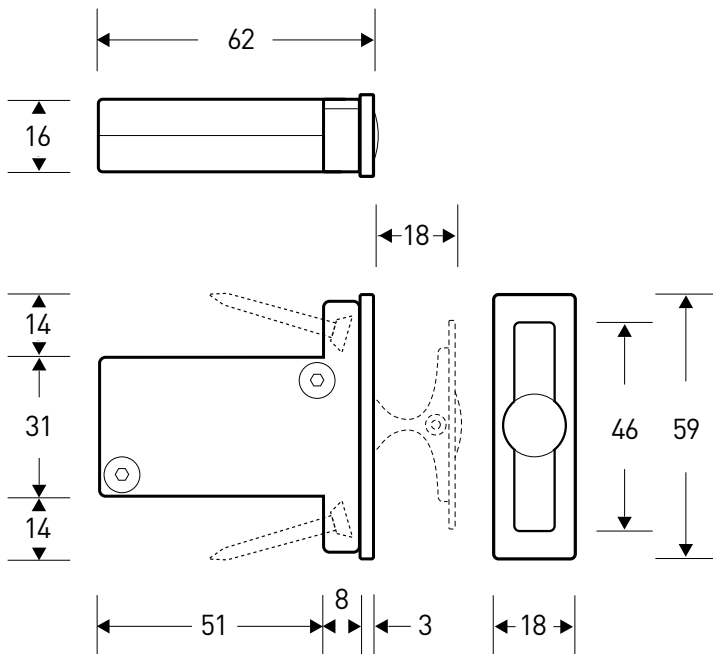
PN : Polished Nickel

DB : Dark Bronze

PCB : Powder-Coated Black (by special order)

PCW : Powder-Coated White (by special order)

PB : Polished Brass (by special order)





Magnetic Door Stops

HB 710 : 38 mm \varnothing x 51 mm

HB 710-L : 38 mm \varnothing x 61 mm

HB 720 : 38 mm x 38 mm x 51 mm

HB 760 : 38 mm x 38 mm x 173 mm (including base)

HB 765 : Elevating Base 50 mm x 50 mm x 25 mm

Add the Finish Code after the model number.

MAGNETIC DOOR STOPS

**halliday
baillie**

HB 710

ROUND MAGNETIC DOOR STOP

Halliday+Baillie's floor-mounted HB 710 Round Magnetic Door Stop provides a compact modern solution for when a mechanical hold open function is required. The door-mounted steel keeper is finished to match and nests perfectly into the disc magnet for a secure holding force.

Suitable for interior or covered exterior use.
Includes steel keeper (below), and all fasteners.

material : Aluminum-alloy, stainless steel fasteners, steel keeper and magnets.

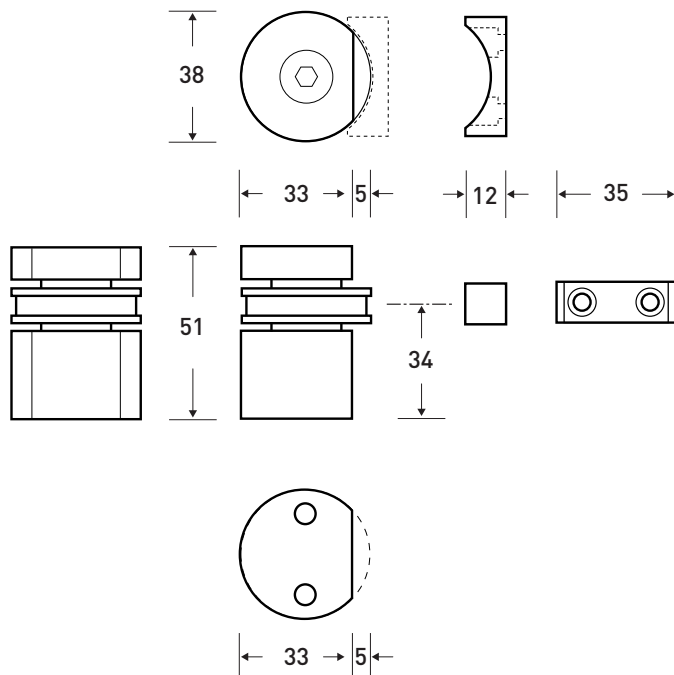
dimensions : 38mm (1.50") Ø x 51mm (2.00") H

available in the following finishes :

SC : Satin Chrome

DB : Dark Bronze

BN : Brushed Nickel



centerline of magnet and keeper : 34mm (1.34") AFF

**halliday
baillie**

HB 710-L

ROUND DOUBLE MAGNETIC DOOR STOP

Halliday+Baillie's HB 710-L Round Door Stop is designed to provide a stronger mechanical holding force than the HB 710 model for when a mechanical hold open function is required. The door-mounted steel keeper is finished to match and nests perfectly into the magnet, providing a strong holding force for securing larger doors.

Suitable for interior or covered exterior use.
Includes steel keeper (below), and all fasteners.

material : Aluminum-alloy, stainless steel fasteners, steel keeper and magnets.

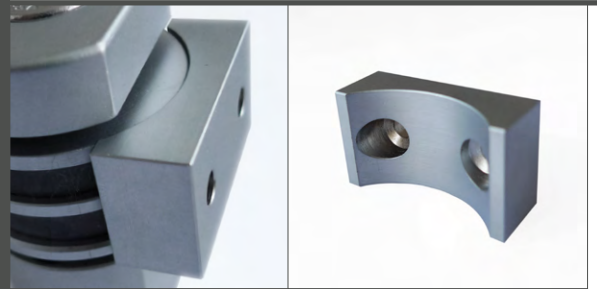
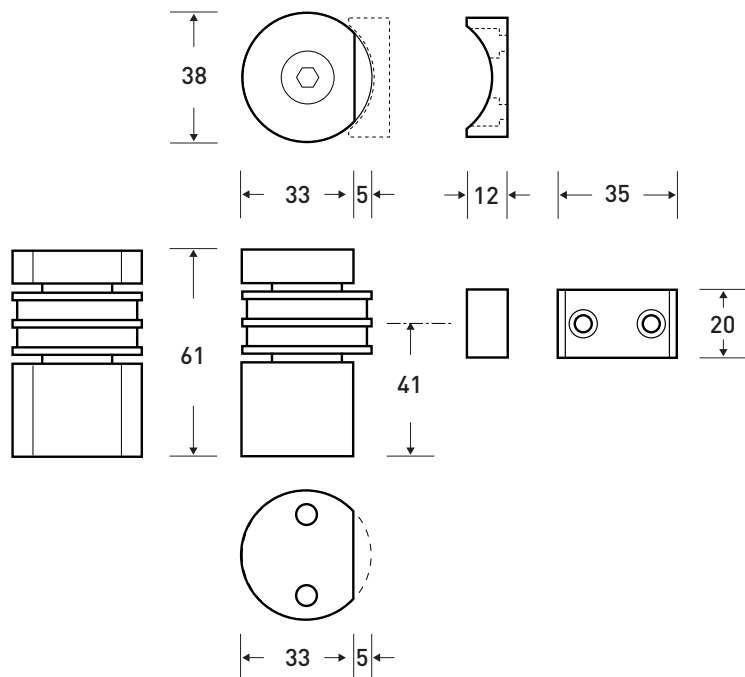
dimensions : 38mm (1.50") \varnothing x 61mm (2.40") H

available in the following finishes :

SC : Satin Chrome

DB : Dark Bronze

BN : Brushed Nickel



centerline of magnet and keeper : 41mm (1.61") AFF

**halliday
baillie**

HB 720

SQUARE MAGNETIC DOOR STOP

Halliday+Baillie's floor-mounted HB720 Cube Door Stop provides an iconic solution for when a mechanical hold open function is required. The door-mounted steel keeper is finished to match and nests perfectly into the magnet providing a strong force.

Suitable for interior or covered exterior use.
Includes steel keeper (below), and all fasteners.

material : Aluminum-alloy, stainless steel fasteners, steel keeper and magnets.

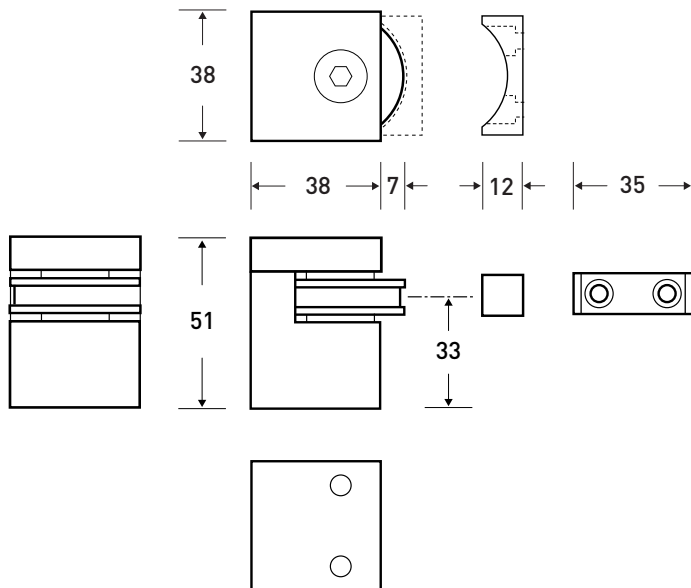
dimensions : 38mm (1.50") W/D x 51mm (2.00") H

available in the following finishes :

SC : Satin Chrome

DB : Dark Bronze

BN : Brushed Nickel



HB 765 (order separately)

Solid Elevating Base for HB 720

dimensions : 50mm (1.97") W/D x 25mm (.98") H

centerline of magnet without base : 33mm (1.30") AFF

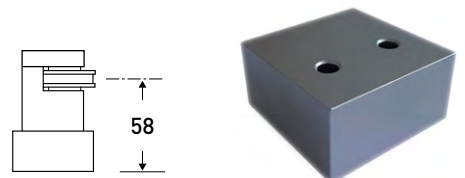
centerline of magnet with base : 58mm (2.28") AFF

available in the following finishes :

SC : Satin Chrome

DB : Dark Bronze

BN : Brushed Nickel



**halliday
bailie**

HB 760

TALL MAGNETIC DOOR STOP

Halliday+Baillie's floor-mounted HB 760 Magnetic Door Stop provides a useful alternative to its cubic cousin for when a mechanical hold open function is required in a step down situation. The door-mounted steel keeper is finished to match and nests perfectly into the magnet providing a strong holding force to secure larger doors. Suitable for interior or covered exterior use.

Ships with 25mm (.98") high Solid Elevating Base.

Includes steel keeper (below), and all fasteners.

material : Aluminum-alloy, stainless steel fasteners, steel keeper and ferrous magnets.

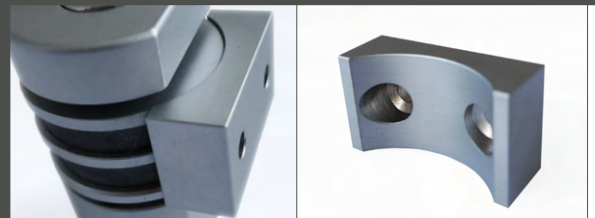
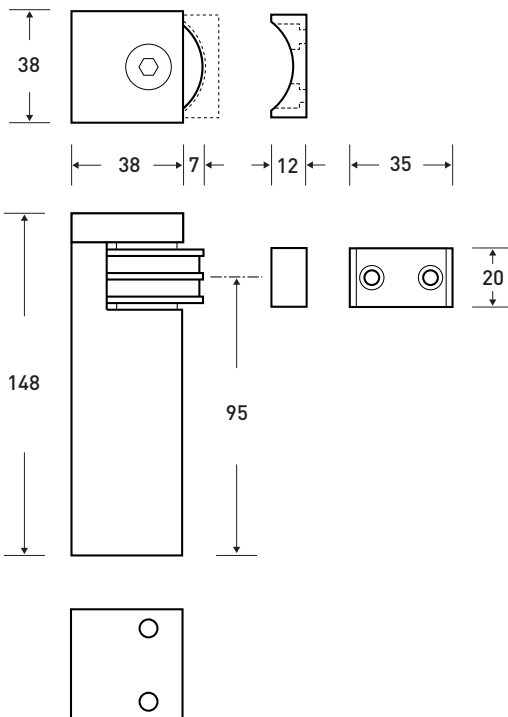
dimensions : 38mm (1.50") W/D x 148mm (5.83") H

available in the following finishes :

SC : Satin Chrome

DB : Dark Bronze

BN : Brushed Nickel



Solid Elevating Base (included w/ HB 760)

dimensions : 50mm (1.97") W/D x 25mm (.98") H

centerline of magnet without base : 95mm (3.74") AFF

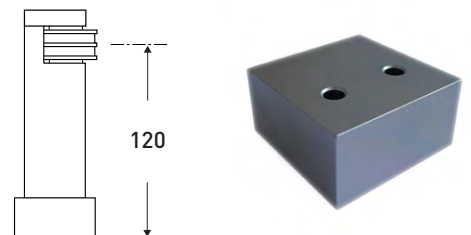
centerline of magnet with base : 120mm (4.72") AFF

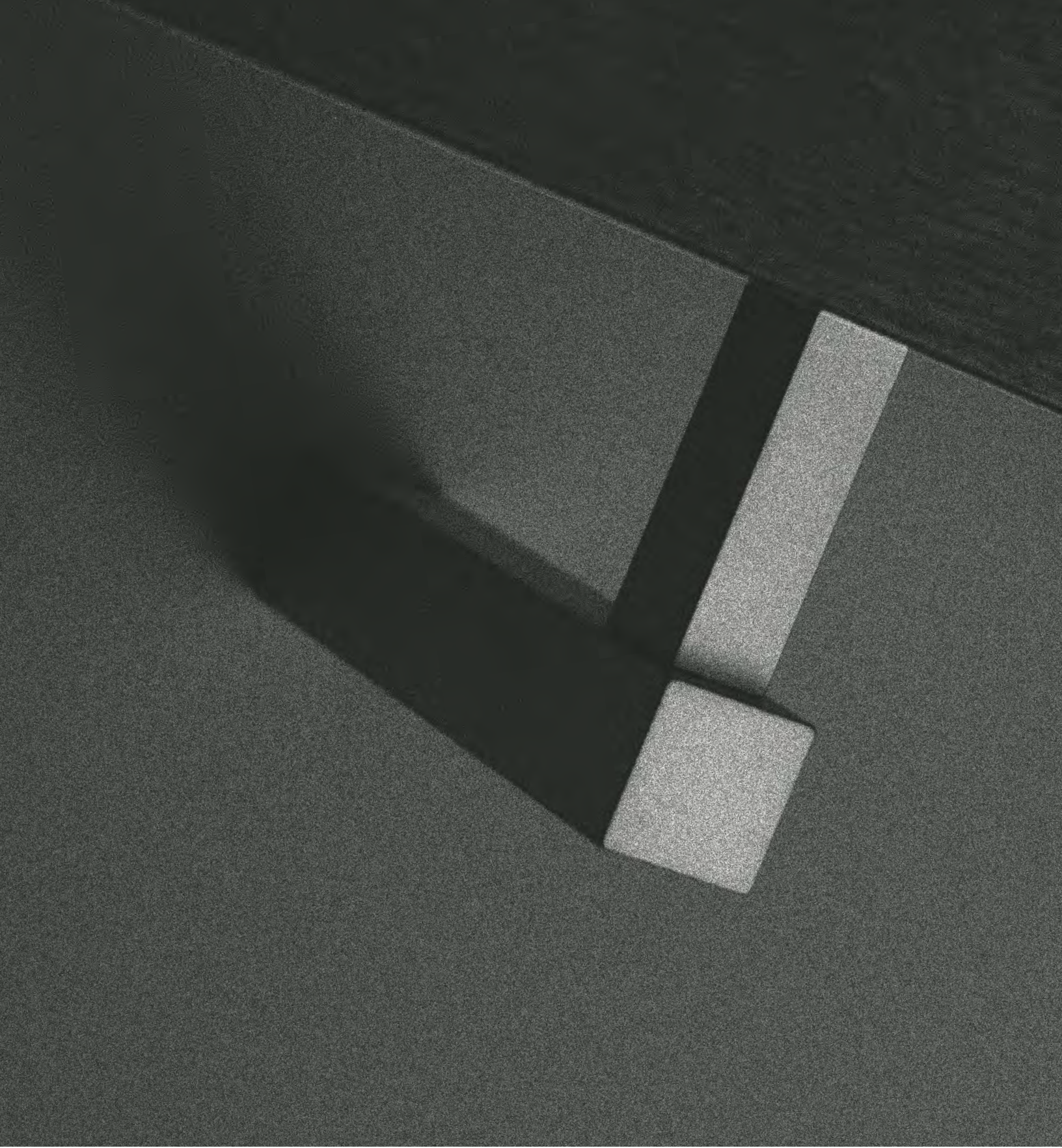
available in the following finishes :

SC : Satin Chrome

DB : Dark Bronze

BN : Brushed Nickel





- HB 500 : Aluminum Handrail Bracket
- HB 502 : Glass Fixing Kit
- HB 510 : Stainless Steel Handrail Bracket
- HB 512 : Glass Fixing Kit
- HB 520 : Aluminum Handrail Bracket
- HB 522 : Glass Fixing Kit
- HB 530 : Stainless Steel Handrail Bracket
- HB 533 : Glass Fixing Kit
- HB 540 : Aluminum Handrail Bracket
- HB 542 : Glass Fixing Kit
- HB 544 : Glass Fixing Kit
- HB 550 : Aluminum Handrail Bracket
- HB 555 : Stainless Steel Handrail Bracket
- HB 560 : Aluminum Handrail Bracket
- HB 570 : Aluminum Handrail Bracket

For glass fixing kits please specify glass thickness.

HANDRAIL BRACKETS



**halliday
baillie**

HB 500 HANDRAIL BRACKET

The Halliday+Baillie HB 500 Handrail Bracket provides an easy-to-install solution for 1 ¼" to 2" diameter wood handrails.

Only suitable for interior or covered exterior situations. For exterior or marine environments, please specify the HB 510 stainless steel bracket.

Includes all fasteners. Epoxy sold separately.

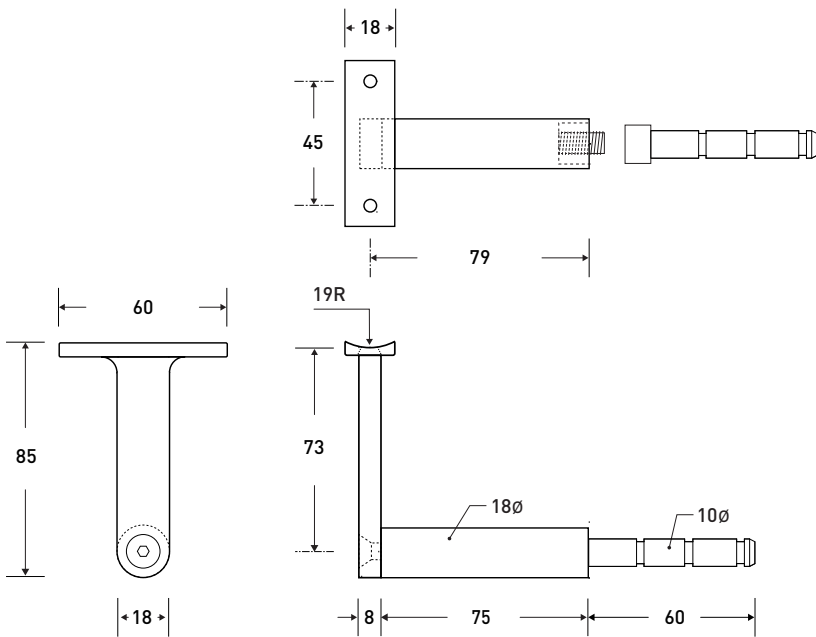
material : aluminum alloy

maximum spacing : 800 mm (31.50")

available in the following finish :

SC : Satin Chrome

Custom Finishes are available upon request.



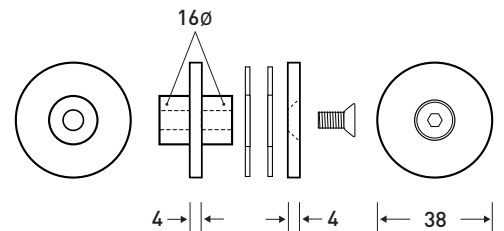
HB 502 Glass Fixing Kit for HB 500 Bracket

Please specify glass thickness.

recommended glass boring : 19mm (.75")

available in the following finish :

SC : Satin Chrome



**halliday
baillie**



HB 510 HANDRAIL BRACKET

The Halliday+Baillie HB 510 Handrail Bracket provides an easy-to-install solution for 1 ¼" to 2" diameter wood handrails.

Cast and machined from solid stainless steel, it is suitable for exterior situations.

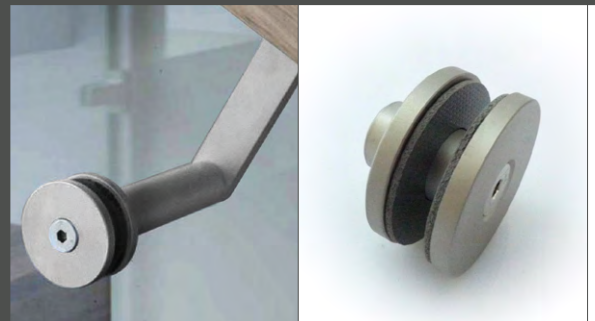
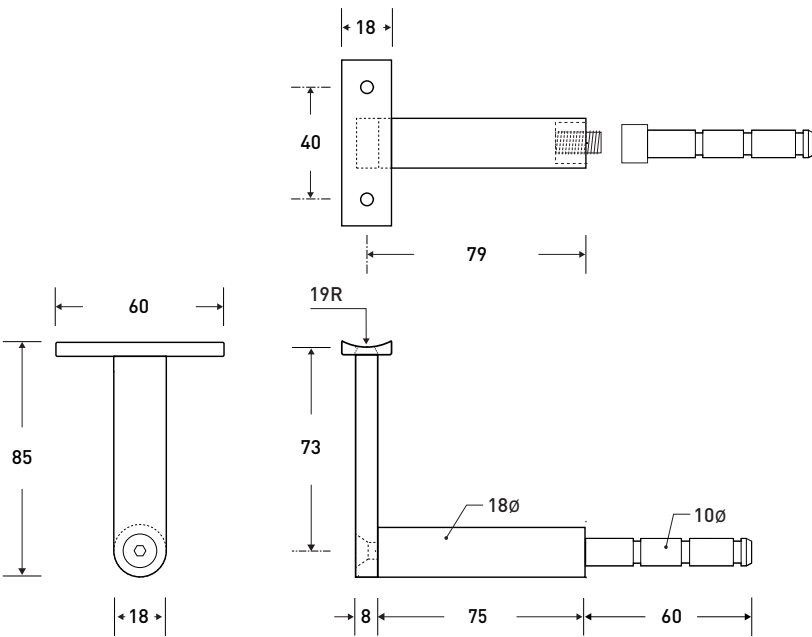
Includes all fasteners. Epoxy sold separately.

material : solid grade 316 stainless steel with stainless steel fasteners.

maximum spacing : 800 mm (31.50")

available in the following finish :

SS : Satin Stainless Steel



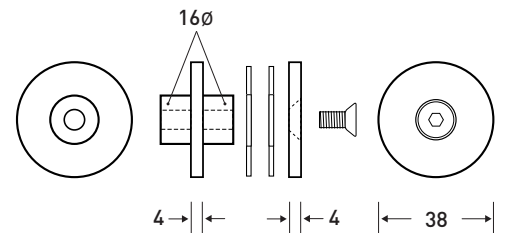
HB 512 Glass Fixing Kit for HB 510 Bracket

Please specify glass thickness.

recommended glass boring : 19mm (.75")

available in the following finish :

SS : Satin Stainless Steel



**halliday
baillie**

HB 520 HANDRAIL BRACKET

The Halliday+Baillie HB 520 Handrail Bracket is an elegant solution for round or square profile handrails.

This bracket is only suitable for interior or covered exterior situations. For exterior and marine environments, please specify the HB 530 stainless steel bracket.

Includes all fasteners. Epoxy sold separately.

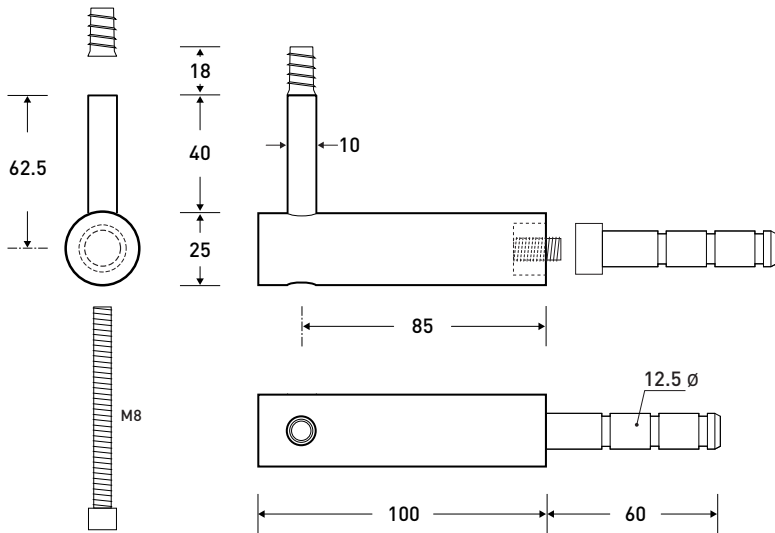
material : aluminum alloy

maximum spacing : 800 mm (31.50")

available in the following finishes :

SC : Satin Chrome

Custom Finishes are available upon request.



HB 522

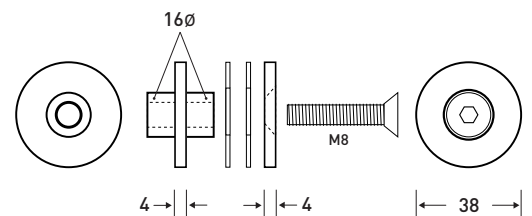
Glass Fixing Kit for HB 520 Bracket

Please specify glass thickness.

recommended glass boring : 19mm (.75")

available in the following finishes :

SC : Satin Chrome



**halliday
baillie**

HB 530 HANDRAIL BRACKET

The Halliday+Baillie HB 530 Handrail Bracket is designed for round or square profile wood handrails.

Machined from solid stainless steel, this bracket is suitable for exterior and marine applications or where corrosion resistance is desired.

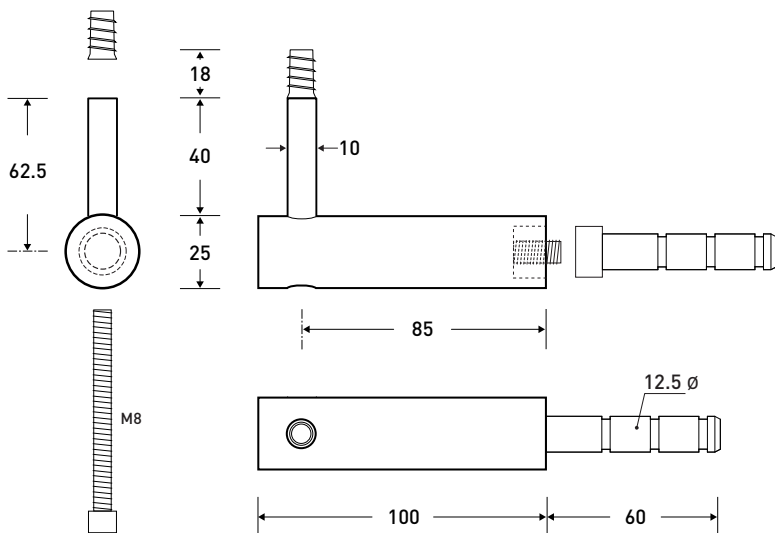
Includes all fasteners. Epoxy sold separately.

material : solid grade 316 stainless steel with stainless steel fasteners

maximum spacing : 800 mm (31.50")

available in the following finish :

BS : Brushed Stainless Steel



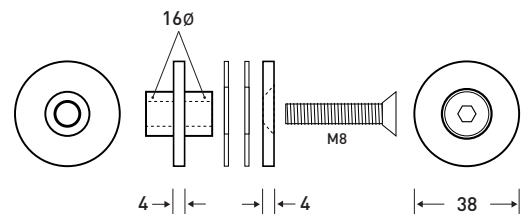
HB 533 Glass Fixing Kit for HB 530 Bracket

Please specify glass thickness.

recommended glass boring : 19mm (.75")

available in the following finish :

BS : Brushed Stainless Steel





halliday
baillie

HB 520 with HB 522 Glass Fixing



HB 540 HANDRAIL BRACKET

The Halliday+Baillie HB 540 Handrail Bracket is designed for round or rectangular wood handrails.

This bracket is only suitable for interior or covered exterior situations. There is currently no all-stainless steel alternative for this model.

Includes all fasteners. Epoxy sold separately.

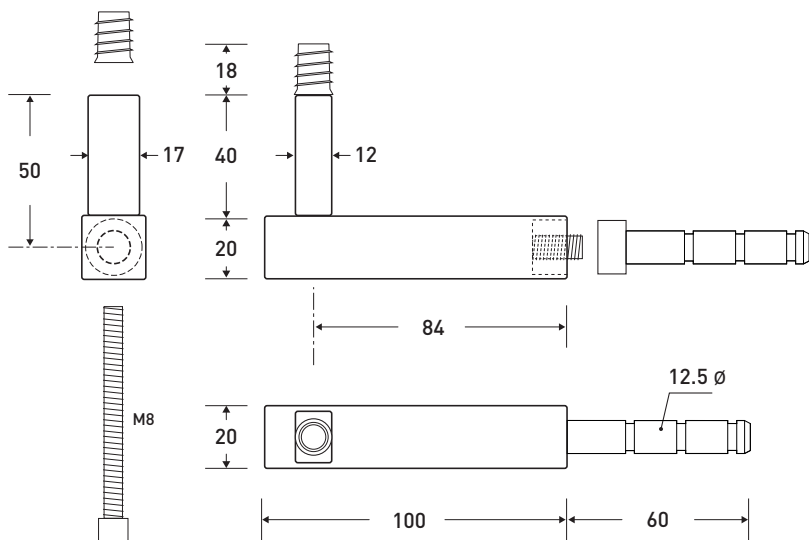
material : aluminum alloy

maximum spacing : 800 mm (31.50")

available in the following finish :

SC : Satin Chrome

Custom Finishes are available upon request.



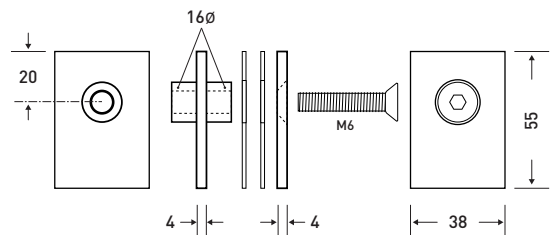
HB 542 Glass Fixing Kit for HB 540 Bracket

Please specify glass thickness.

recommended glass boring : 19mm (.75")

available in the following finish :

SC : Satin Chrome



**halliday
baillie**

HB 550 HANDRAIL BRACKET

The Halliday+Baillie HB 550 Handrail Bracket is designed for 1 1/4" to 2" diameter wood handrails.

This bracket is only suitable for interior or covered exterior situations. For exterior and marine environments, please specify the HB 555 stainless steel bracket.

Includes all fasteners. Epoxy sold separately.

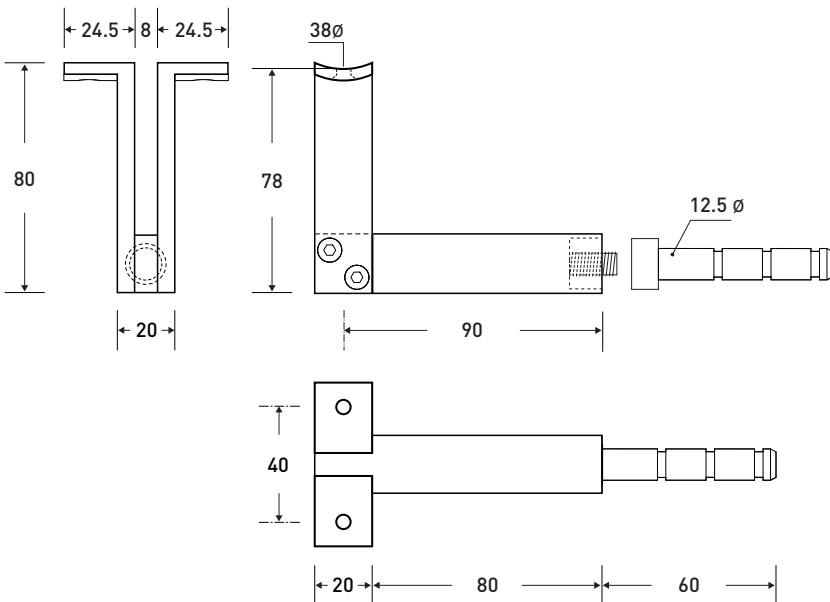
material : aluminum alloy

maximum spacing : 800 mm (31.50")

available in the following finish :

SC : Satin Chrome

Custom Finishes are available upon request.



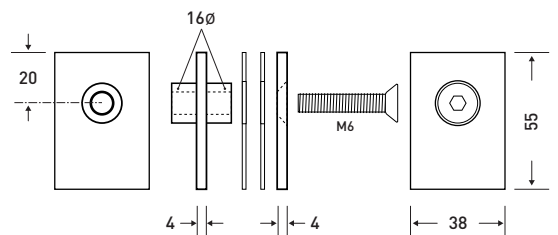
HB 542 Glass Fixing Kit for HB 550 Bracket

Please specify glass thickness.

recommended glass boring : 19mm (.75")

available in the following finish :

SC : Satin Chrome



halliday
bailie

HB 555

HANDRAIL BRACKET

The Halliday+Baillie HB 555 Handrail Bracket is designed for 1 1/4" to 2" diameter wood handrails.

Cast and machined from solid stainless steel, this bracket is suitable for exterior and marine applications or where corrosion resistance is desired.

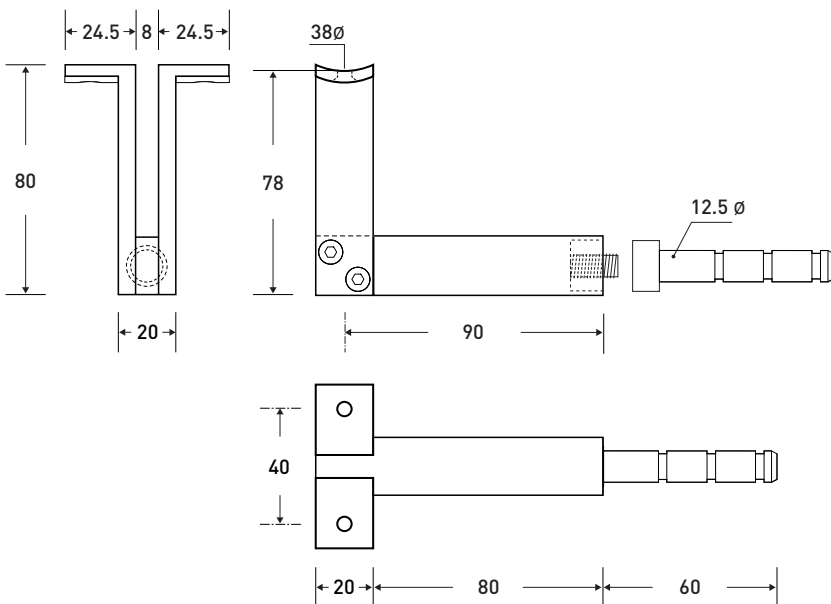
Includes all fasteners. Epoxy sold separately.

material : solid Grade 316 stainless steel with stainless steel fasteners

maximum spacing : 800 mm (31.50")

available in the following finish :

BS : Brushed Stainless Steel



HB 544 (by special order)

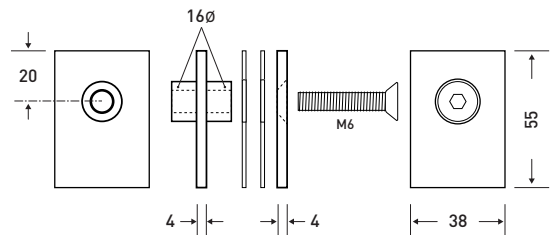
Glass Fixing Kit for HB 555 Bracket

Please specify glass thickness.

recommended glass boring : 19mm (.75")

available in the following finish :

BS : Brushed Stainless Steel





HB 560

HANDRAIL BRACKET

The Halliday+Baillie HB 560 Handrail Bracket is designed for a 2-inch diameter wood handrails.

This bracket is only suitable for interior or covered exterior situations. There is currently no stainless steel alternative for this model.

Includes all fasteners. Epoxy sold separately.

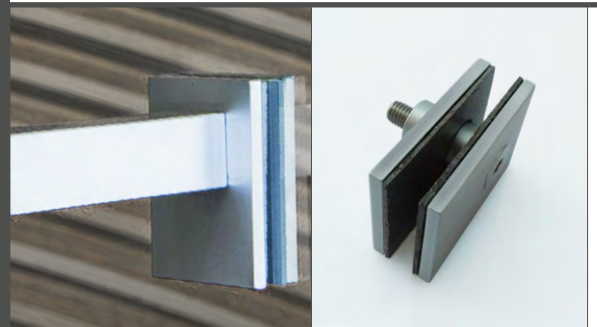
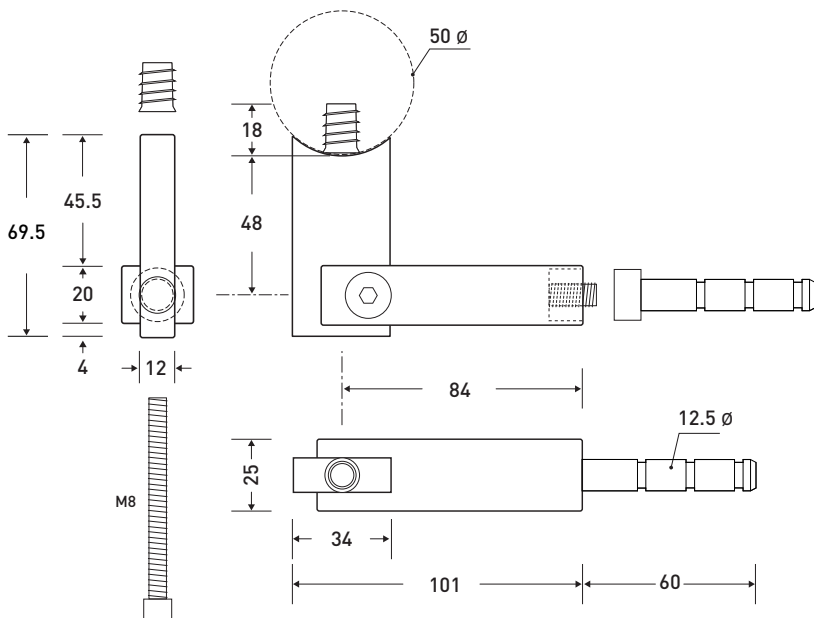
material : aluminum alloy

maximum spacing : 800 mm (31.50")

available in the following finish :

SC : Satin Chrome

Custom Finishes are available upon request.



HB 542

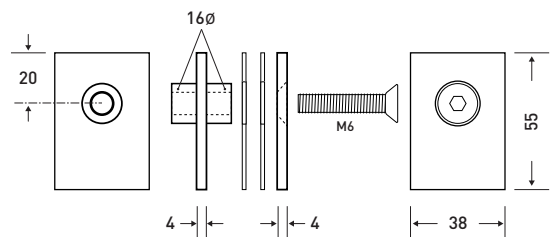
Glass Fixing Kit for HB 560 Bracket

Please specify glass thickness.

recommended glass boring : 19mm (.75")

available in the following finish :

SC : Satin Chrome



**halliday
baillie**

HB 570

HANDRAIL BRACKET

The Halliday+Baillie HB 570 Handrail Bracket is designed for rectangular wood handrails.

This bracket is only suitable for interior or covered exterior situations. There is currently no stainless steel alternative for this model.

Includes all fasteners. Epoxy sold separately.

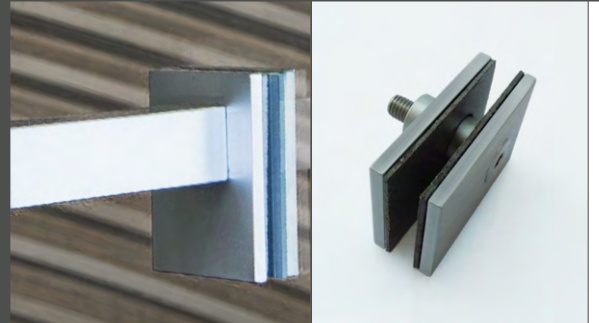
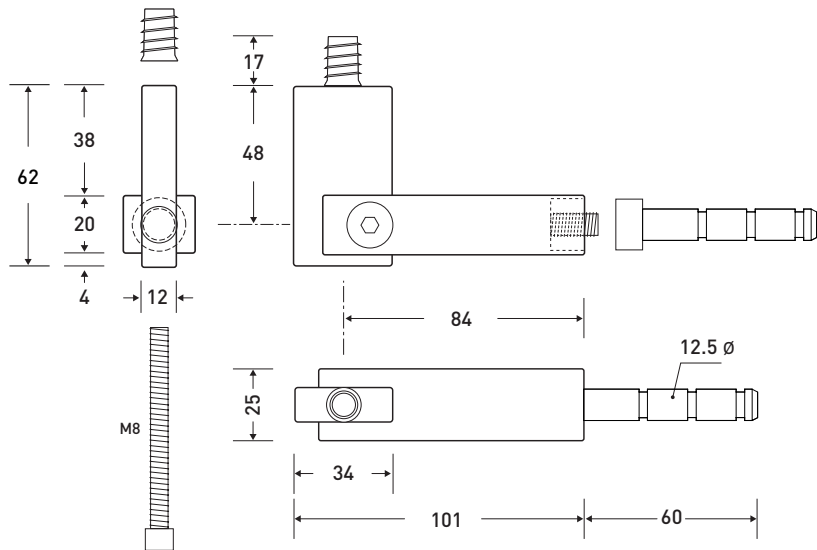
material : aluminum alloy

maximum spacing : 800 mm (31.50")

available in the following finish :

SC : Satin Chrome

Custom Finishes are available upon request.



HB 542

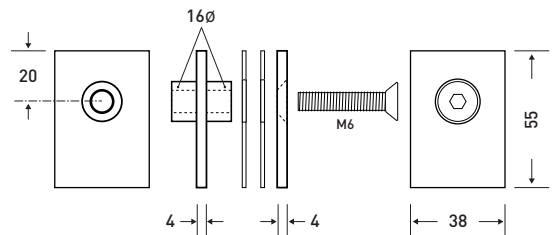
Glass Fixing Kit for HB 570 Bracket

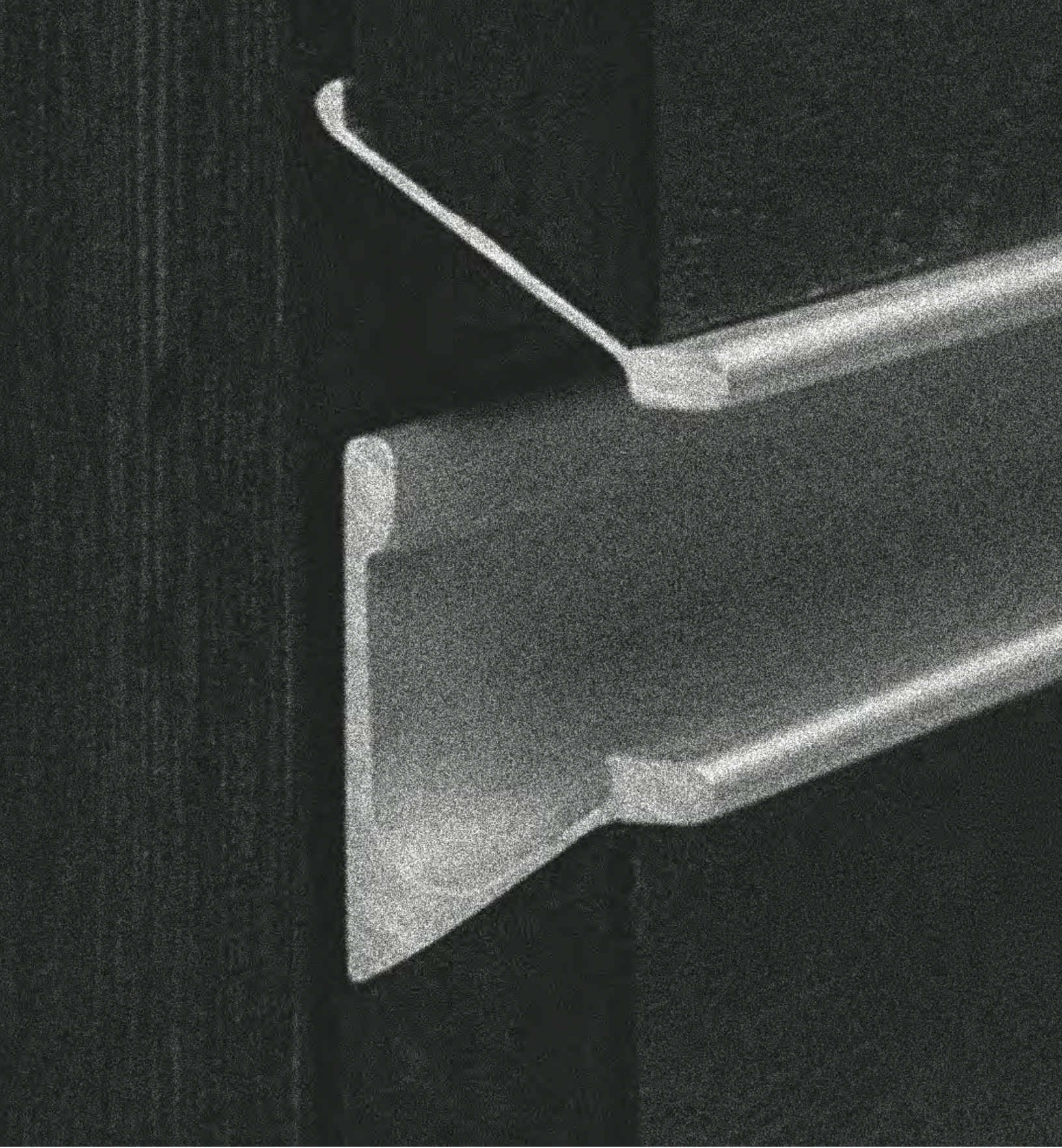
Please specify glass thickness.

recommended glass boring : 19mm (.75")

available in the following finish :

SC : Satin Chrome

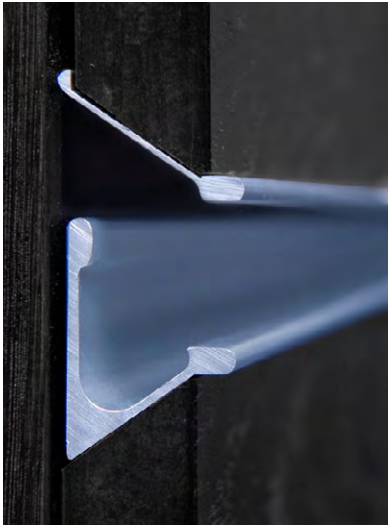




it's not hardware for hardware's sake,
or art for art's sake,
it's balancing functionality with image,
inventing a better way of doing something
without trying to be Style King.

— Marcus Halliday

OTHER HARDWARE



HB 375 (top) + HB 370 (bottom)



HB 375 + HB 370

CONTINUOUS DRAWER PULLS

material: Extruded aluminum, available either in raw unfinished aluminum or anodised. Raw extrusion can be powder-coated or custom finished by client.

retaining stem: 13 (1.00") x 3.5 (.14"), designed for mounting in the center of standard 3/4" drawer fronts. The stem can be trimmed short of the end of the extrusion to create clean edge detail.

Can be mounted top or bottom as detailed. Can be used on thicker doors with offset mounting.

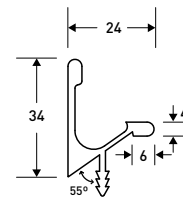
Note : All extrusions come in 1 and 2 meter lengths only. Please allow 3-4 weeks for larger quantities.



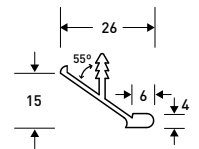
HB 380



HB 382



HB 370



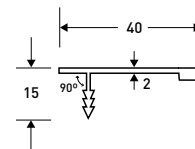
HB 375



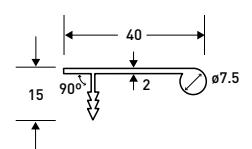
HB 385



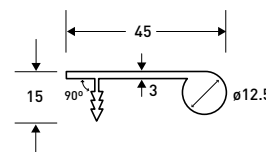
HB 387



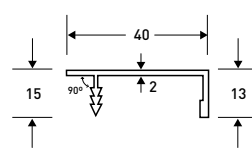
HB 380



HB 382



HB 385



HB 387



halliday
baillie

H+B COAT HOOKS

IN ALUMINUM AND STAINLESS STEEL

Halliday+Baillie's minimalist take on the useful coat hook is available in three elegant sizes and two high quality finishes.

Ships with countersunk hollow threaded rod insert for secure installation in masonry or dry wall. Additional mounting hardware available upon request.



material :

HB 440 / HB 450 / HB 460 :

Satin Chrome Anodized Aluminum.

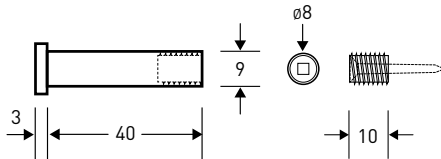
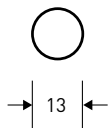
Custom finishes available on special order.

HB 443 / HB 453 / HB 463 :

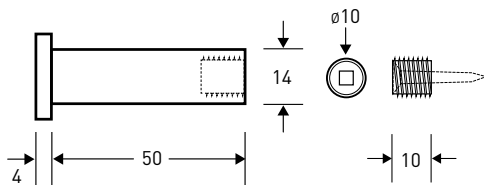
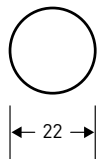
Satin Stainless Steel

dimensions : See drawings at left..

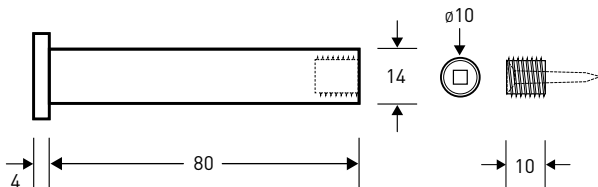
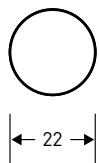
HB 440
+
HB 443



HB 450
+
HB 453



HB 460
+
HB 463



**halliday
bailie**

HB 1091 / HB 1092

LONG+SHORT TELESCOPIC WINDOW STAY

The HB 1091 and HB 1092 Telescopic Window Stays provide simple, secure window control for timber awning and side hung windows. Each is suitable for some aluminum joinery.

material : milled solid brass

available in the following finishes :

SC : Satin Chrome

available by special order (additional lead times will apply) :

BC : Brushed Chrome

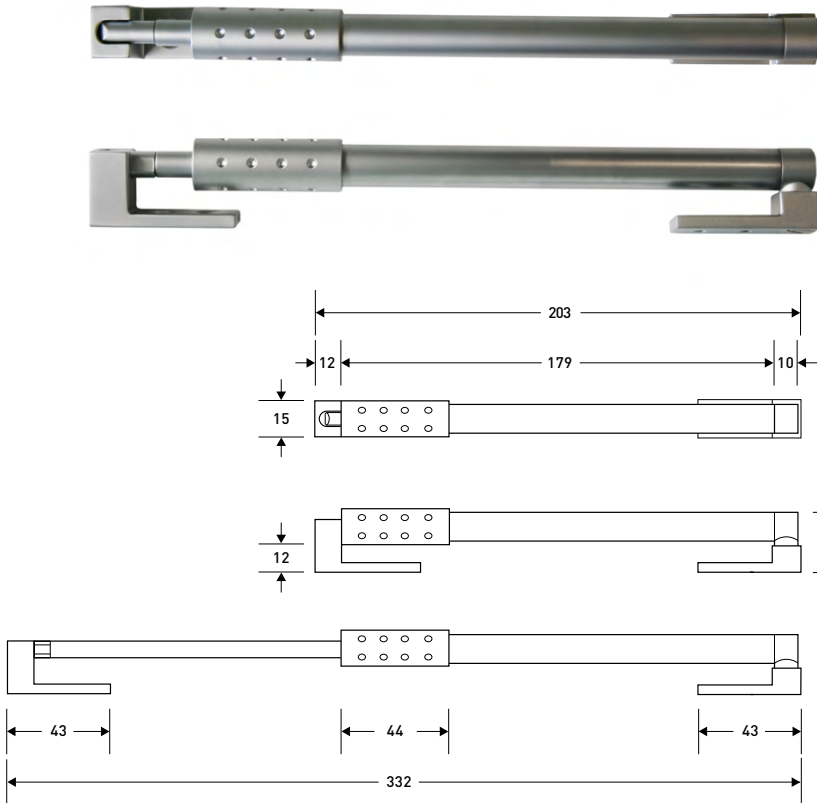
PC : Polished Chrome

BN : Brushed Nickel

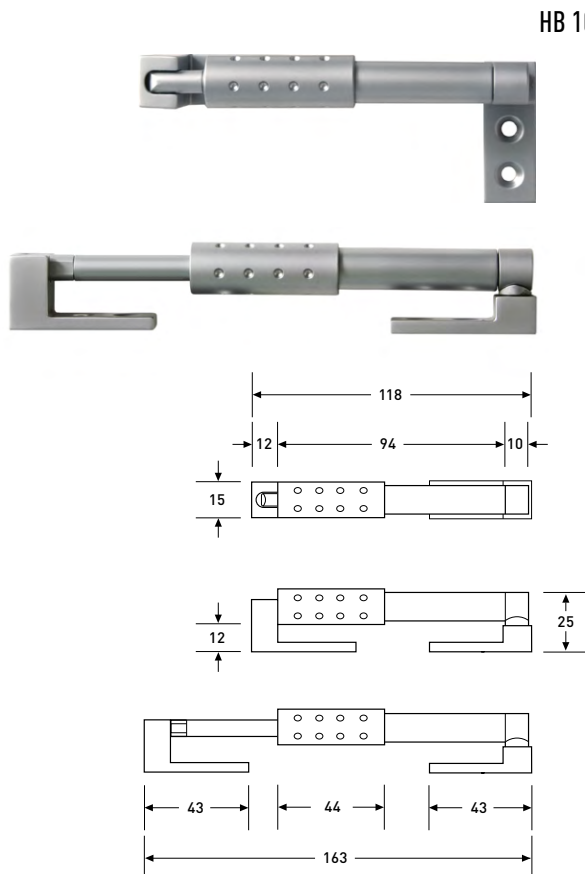
PN : Polished Nickel

DB : Dark Bronze

KC : Black Chrome



HB 1091



HB 1092





halliday
baillie

Halliday+Baillie, Ltd.

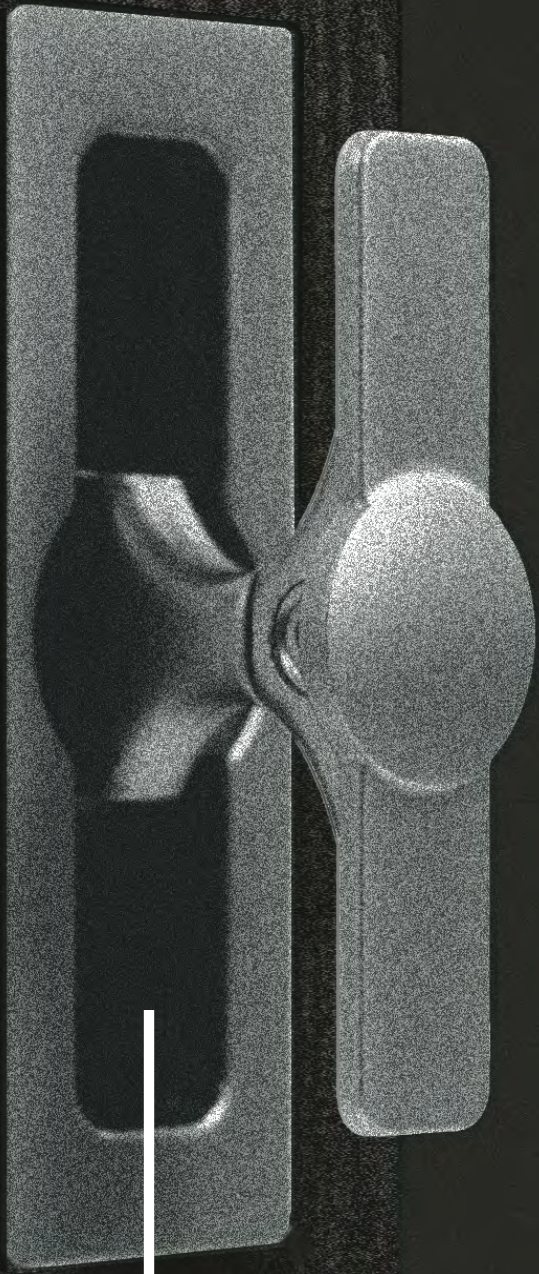
1:5 Axis Building, 91-93 Georges Bay Road
Parnell, New Zealand

Distributed in North America by :
Bridgeport Worldwide, LLC

phone : +1-800-362-1484

info @ BridgeportWorldwide.com

www.BridgeportWorldwide.com



HALLIDAYBAILLIE.US

DESIGNED+MADE IN NEW ZEALAND



**halliday
baillie**