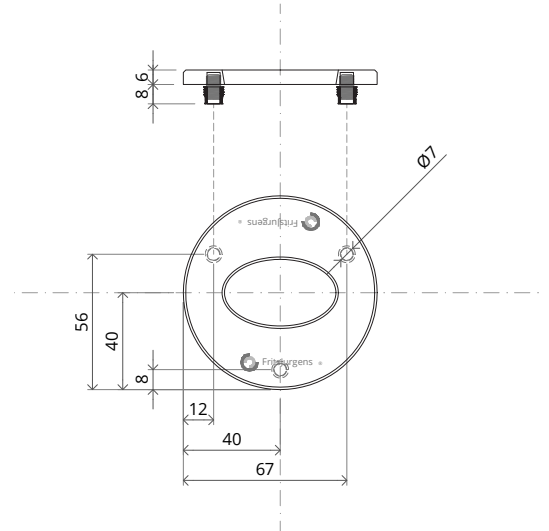


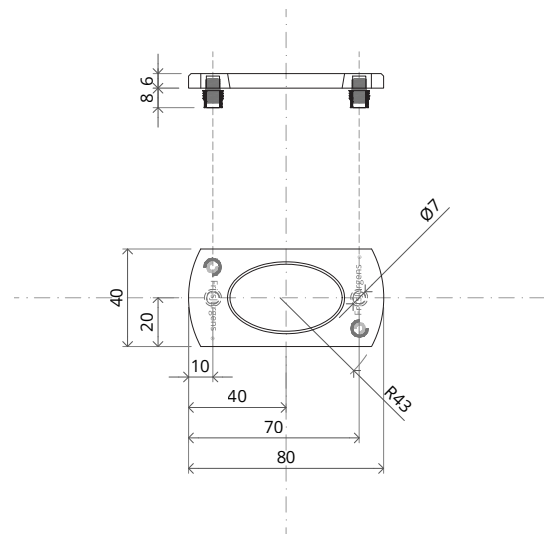
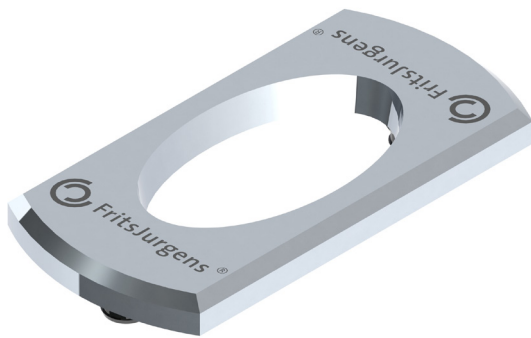
FRITSJURGENS FLOOR PLATES

- Bearing capacity of up to 500 kg
- Available with SystemOne/3 and 4

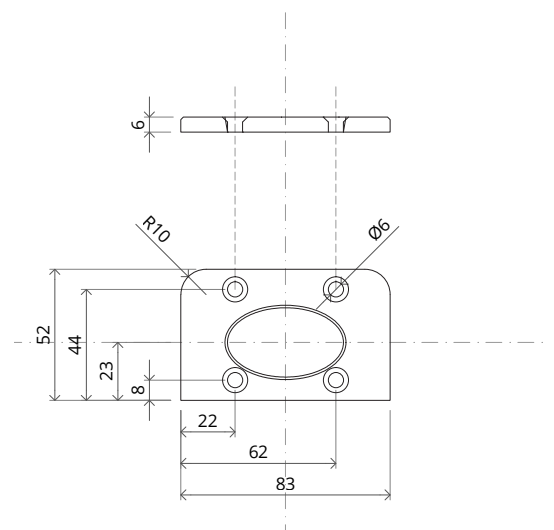
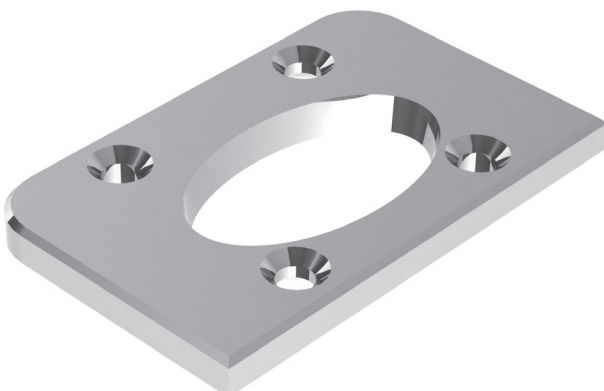
VPR80-B01 RVS - The same detail in all positions



VP 80*40-B11 RVS - Invisible in the closed position

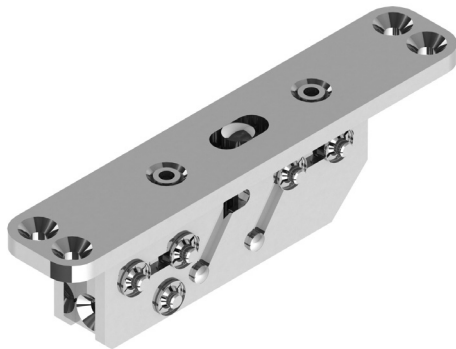


VP 82*52-B01 RVS - For external doors



FRITSJURGENS TOP PIVOTS

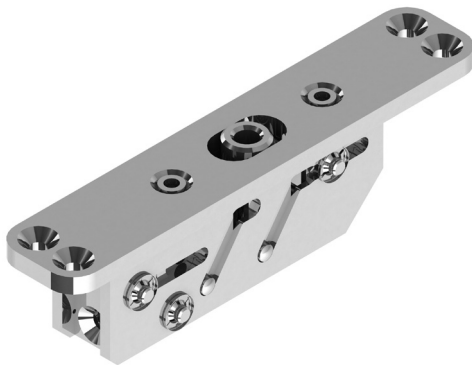
MPDS ATC-9001 - Standard top pivot



The top pivot is integrated into the top of the door and uses a so-called pin/hole connection. The pin is fixed to the top pivot and drops into the hole in the ceiling plate when this is turned.

There are various ceiling plates available for finishing and fitting in the ceiling.

MPDS ATC-9101 - Top pivot with hole for cable grommet

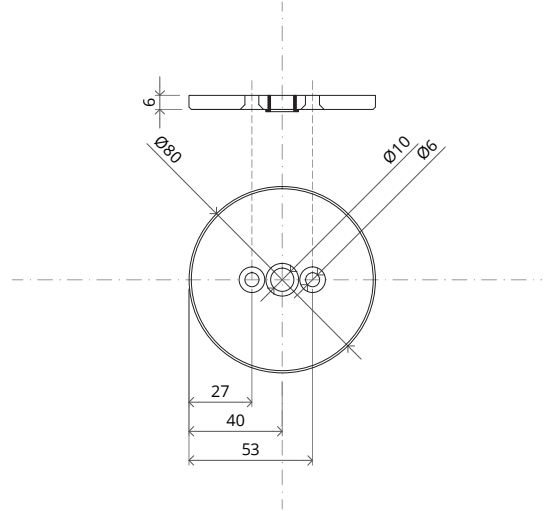
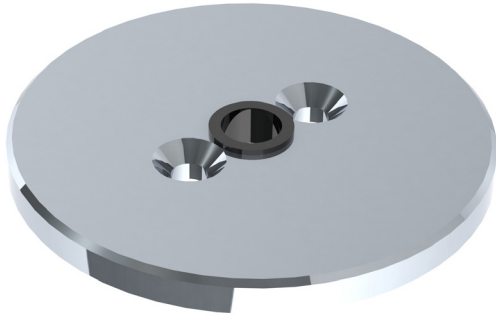


The pin in the top pivot has a 8 mm hole, which makes it possible to fit a cable grommet in the door. This extra functionality can be used, for example, with an electric security or access control in the door.

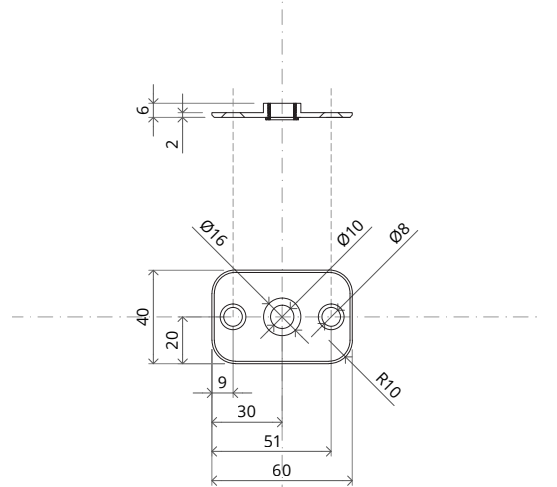
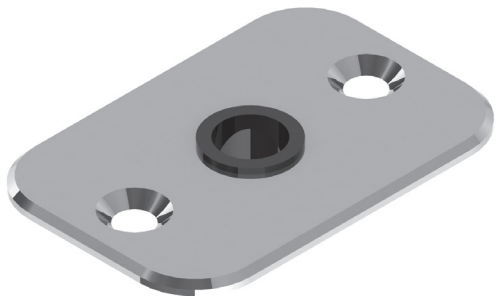
FRITSJURGENS CEILING PLATES

- Bearing capacity of up to 500 kg
- Can be used with top pivots

PPR80-B01 RVS - The same detail in all positions



PP 40*60-B11 RVS - Invisible in the closed position



PP 40*60-B9101 - Can be used with top pivot (cable grommet)

