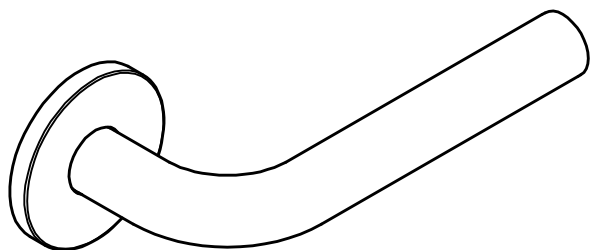
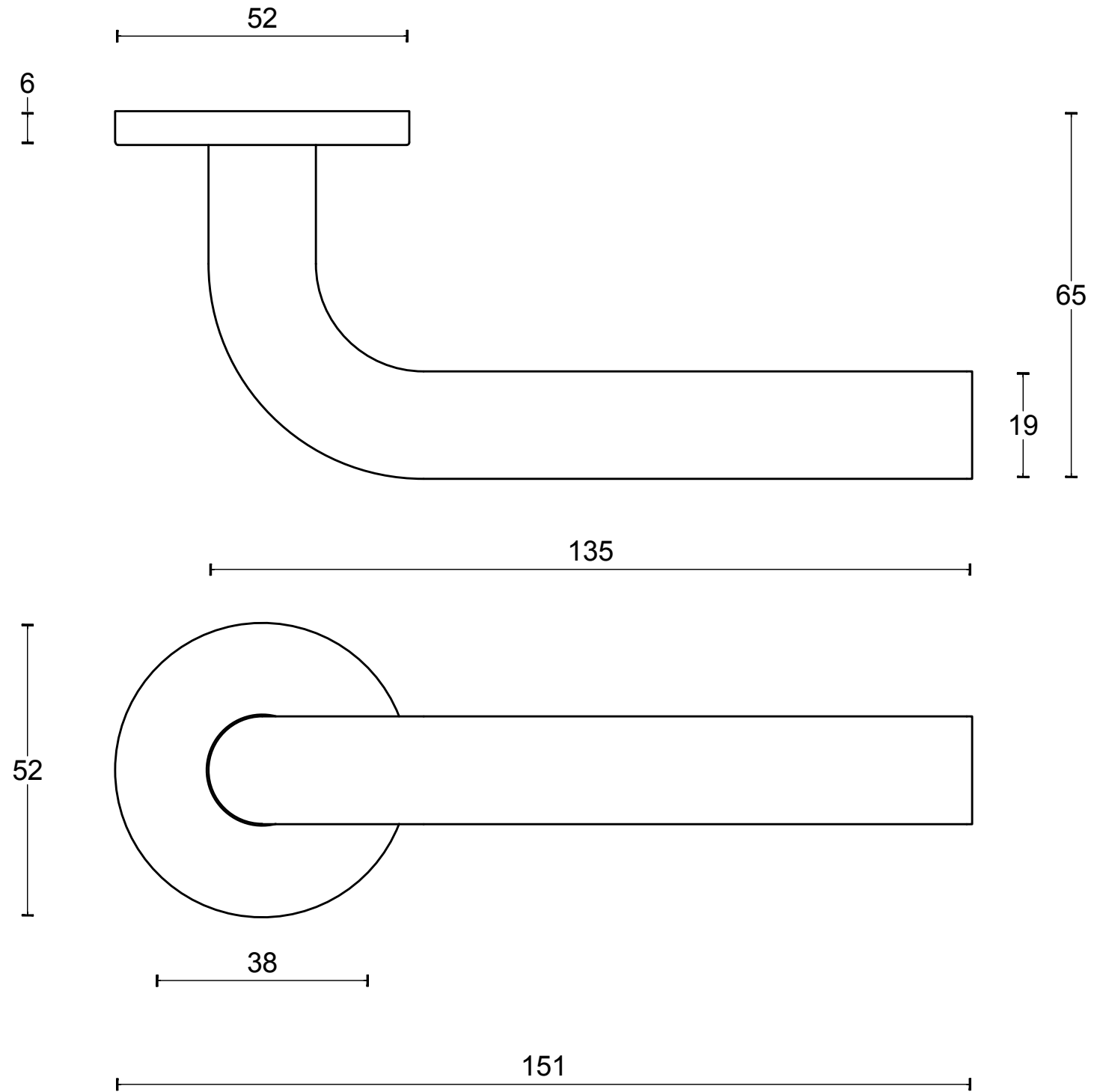
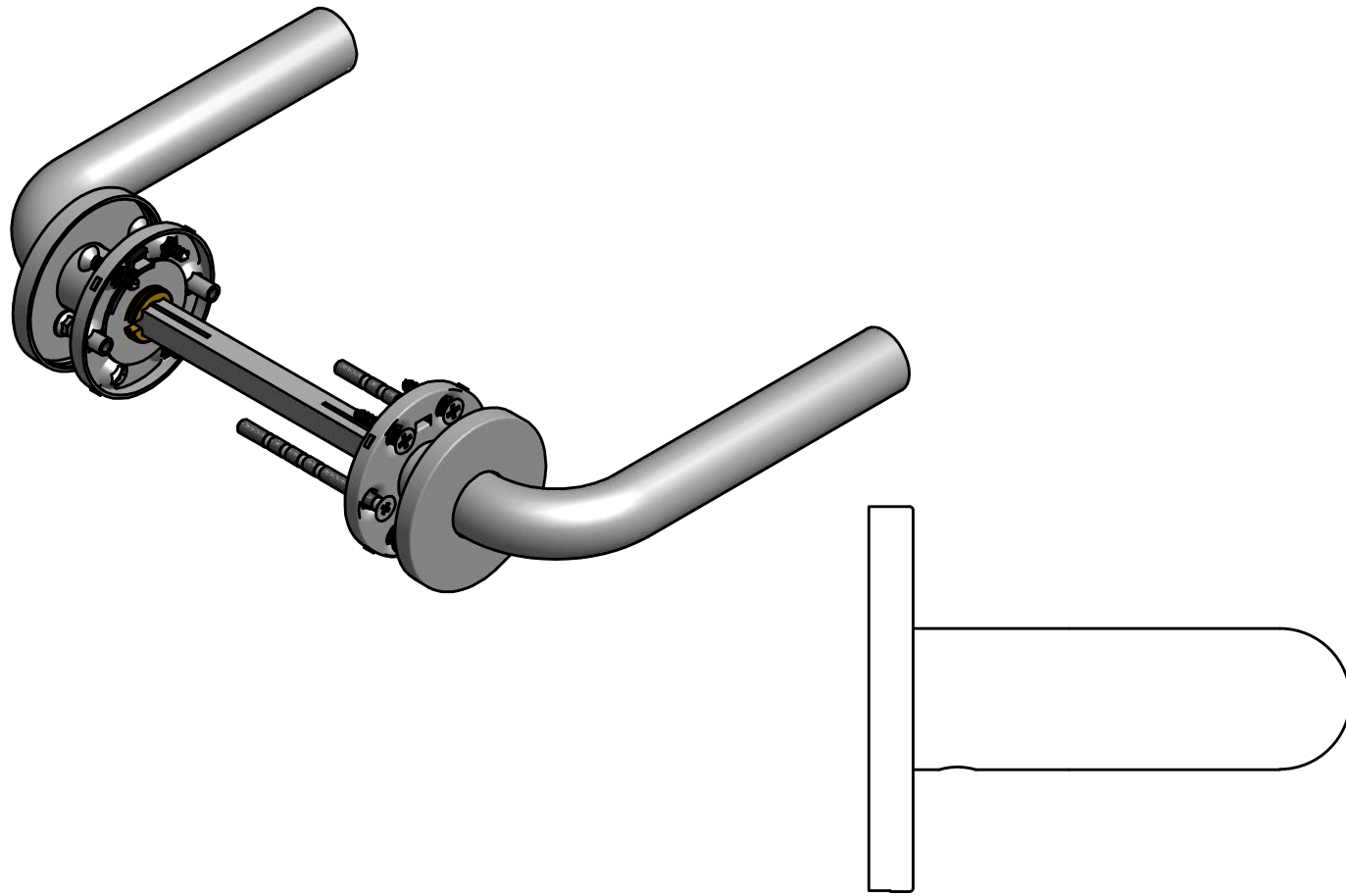


LBIII-19

sprung lever handle attached to rose
with metal sub-rose
stainless steel



FORMANI®		Part number: 1501D044 LBIII-19 V01	
		Description: LBIII-19	
Doc no.:	1501D044 LBIII-19 V01.dwg	Format:	A3
Drawn by:	Christian Brimbois	Creation date:	4-2-2014
Formani Holland B.V. · Amerikalaan 55 · 6199 AE Maastricht Airport · tel: +31 (0)43 308 90 00 · www.formani.nl · info@formani.nl			