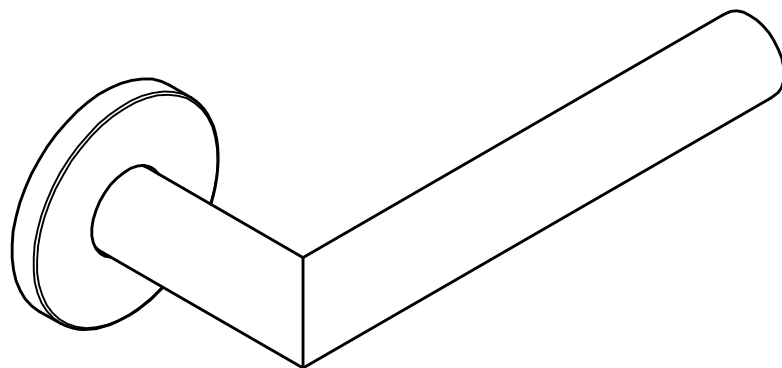
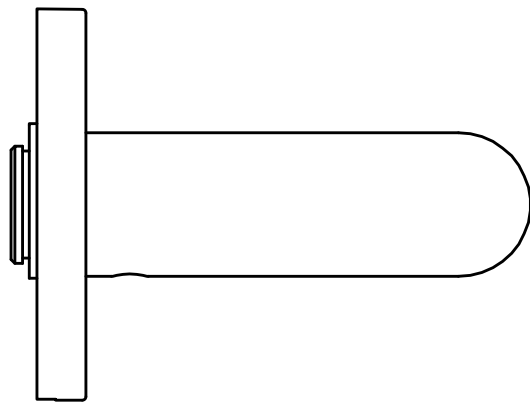
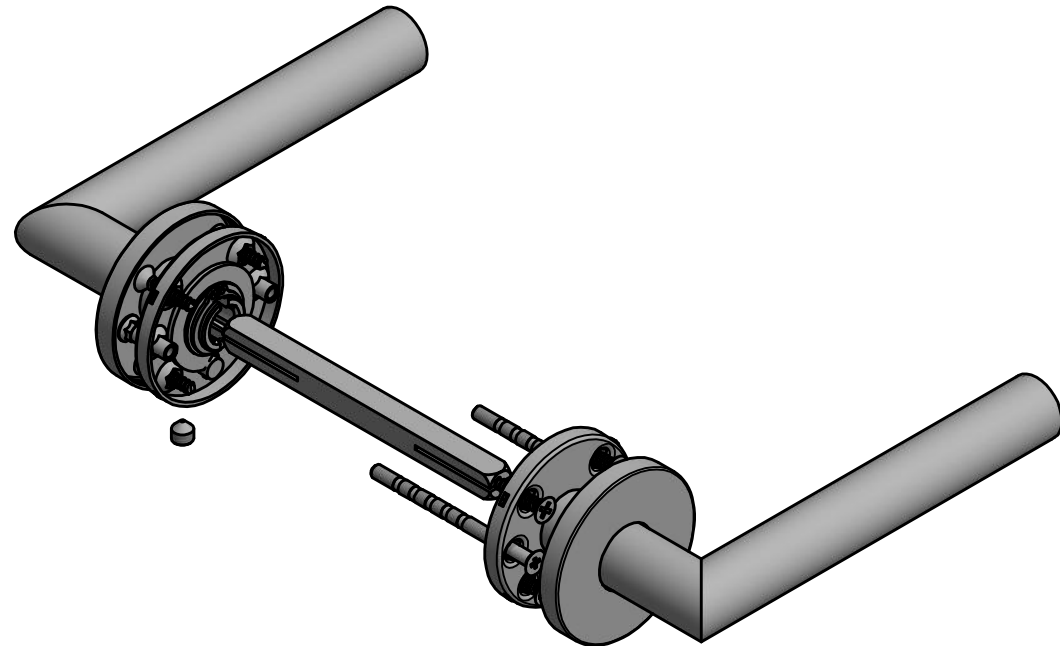


LBII-19

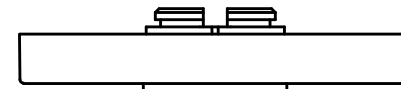
sprung lever handle attached to rose
with stainless steel sub-rose
stainless steel



6

52

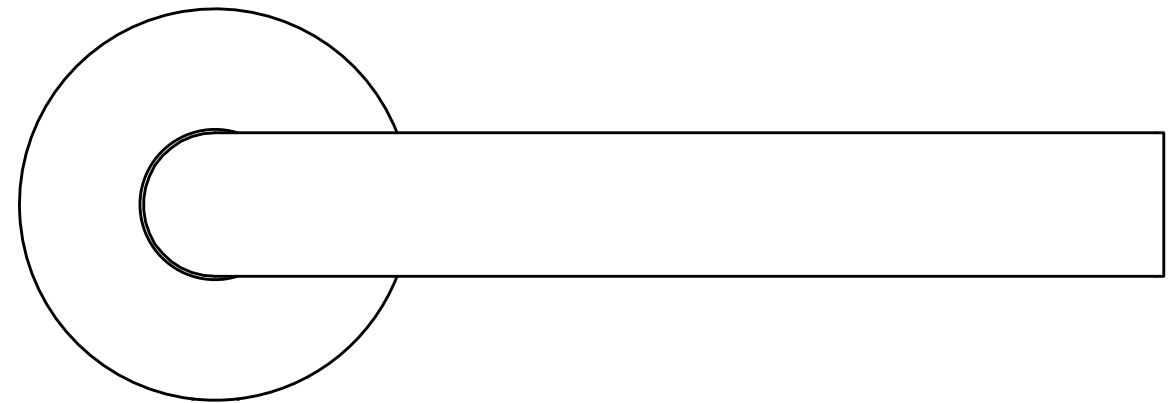
52



65

19

135



38

151

EN 1906: 2012
37-0030B
SKG .0338.8049.ENG
door thickness 38 - 45 mm

FORMANI®		Part number:	
		Description: LBII-19	
Doc no.: 1501D142 LB-II 19 V01.dwg	Drawn by: Christian Brimbois	Creation date: 13-4-2016	Format: A3
FORMANI HOLLAND B.V. EUROPALAAN 12 6199 AB MAASTRICHT-AIRPORT NL T +31 (0)43 308 90 00 INFO@FORMANI.COM FORMANI.COM			