



componance

FB-WALL

wall-mounted handrail bracket



The FB-WALL wall mounted handrail bracket is available in brushed brass, brushed stainless steel or powder coated black or white. This bracket works seamlessly with both flat and round rails with a flat bottom, comes complete with all hardware and is easy to install. The FB bracket can be installed on existing drywall but requires approximately 1-1/2" of solid backing, wood stud or concrete to anchor into. Should you not have the required backing, we would suggest the FF, SA, VC or Blok wall mounted brackets as alternatives.

Material: 316 stainless steel | Solid brushed brass

Application: Interior (some exterior)

Spacing: Approx 4'-0" O.C.

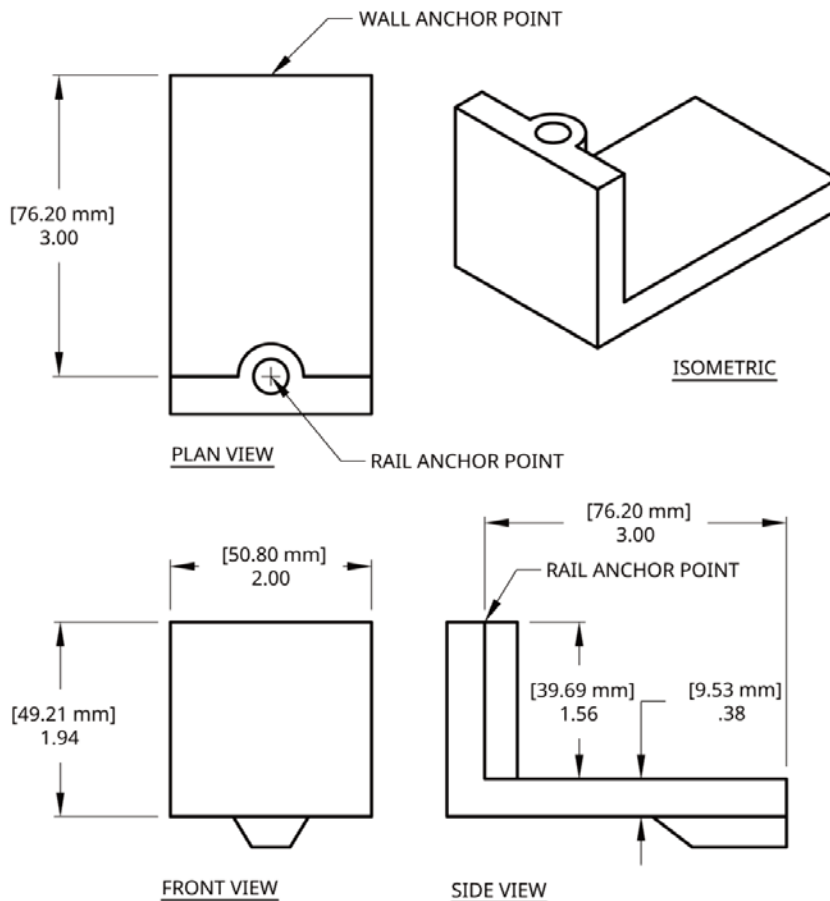
Product colour codes:

Brushed brass	BRASS
Brushed Stainless	BSS
Black	BLK
White	WHT

Ordering & spec format:

Product name	FB-WALL
Product colour code	(as above)

Spec format example: FB-WALL-BRASS



Designed and manufactured by componance. For more detailed information, cad drawings installation procedures and warranties, please visit: www.componance.com or contact your authorized componance dealer. All information subject to change. All line drawings shown on spec sheet are not plotted to scale, for scaled drawings please inquire or download the drawing in CAD format.