

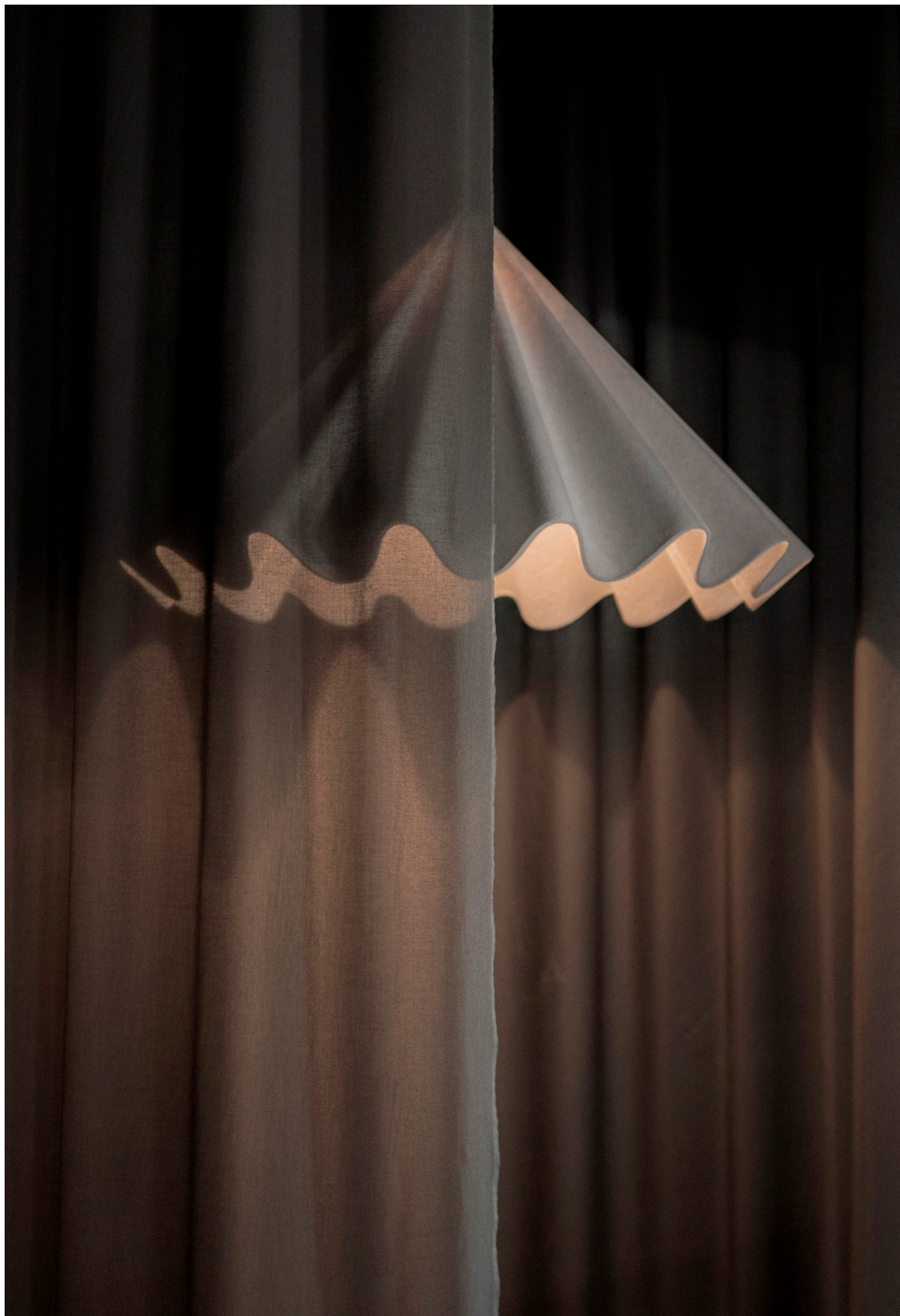
Dancing Pendant



Pendant

Lighting — Product Sheet
menu.as

by Iskos-Berlin



Dancing Pendant

**Product Type**

Pendant

Environment

Indoor

Dimensions (cm/ in)

H: 58 cm / 22,8"

Ø: 95 cm / 37,4

Colours

Off-White

Design is an art of storytelling according to Copenhagen duo Iskos-Berlin, and their Dancing Pendant puts that principle into practice. Exquisite yet with a playful twist, the lamp has the look of a dancer's pleated skirt caught flaring-up mid-twirl. A partnership between two of Scandinavia's leading young designers, Boris Berlin and Aleksej Iskos, the studio is committed to sustainability.

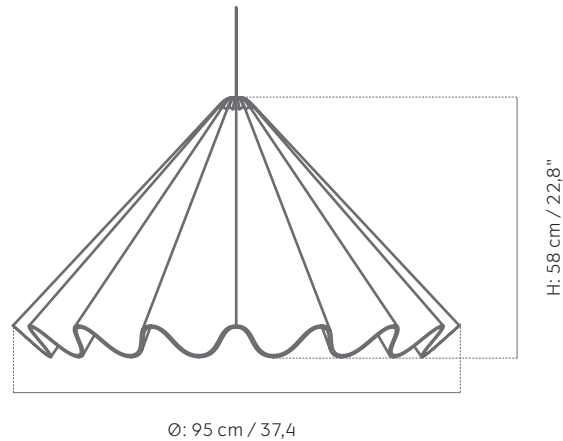
Dancing Pendant is made from felt, a 100% recycled material produced mainly from used water bottles.

About the Designer

The company works within the fields of industrial, furniture and graphic design. The firm was only established in late 2010, but Boris and Aleksej have been working together for a number of years. In 1987, Boris co-founded Komplot Design, where Aleksej was employed as an assistant for more than 11 years. This long and fruitful cooperation has allowed them to develop a shared philosophy of design.

Dancing Pendant

Technical Specifications



Production Process

Pressed wool felt is made from high quality felt fibers which are mechanically pressed using heat, moisture and pressure using a wooden form.

Materials

Felt

Weight item (kg/ lbs)

2,6 kg / 5,7 lbs

Voltage (V)

100-130 V

Light Source & Energy Efficiency Class

E26 (Not Included), MAX 60 W, A++, A+, A, B, C, D

Light Specification

Lumen, Kelvin and Ra Value depends on which bulb is used.

Dimmer

No. The lamp can be fitted with a dimmer by a certified electrician.

Canopy

Yes (Cone Shape), ABS, White
Ø: 9 cm / 3,5" * H: 9 cm / 3,5"

Cord Material and Colour

Textile, White

Cord Length (cm / in)

300 cm / 118,1"

Classification

CE and IP20

Certifications

N/A

Packaging Type

Giftbox

Packaging Measurement (H * W * D)

100 cm * 95 cm * 59 cm

Care Instructions

Use a soft dry cloth to clean. Do not use any cleaners with chemicals or harsh abrasives. Avoid using water. The brass will oxidise from the moment it is exposed to air. To maintain a shiny appearance, use a mild metal polish and a soft cloth.

Dancing Pendant



Off White
1600659