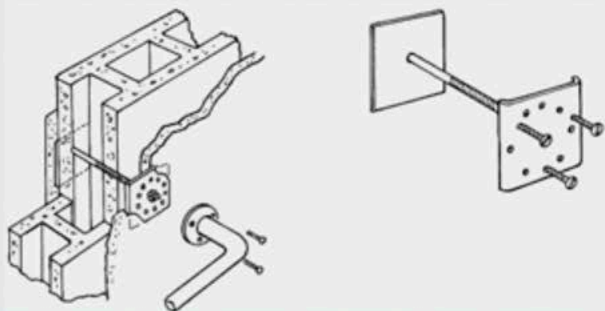


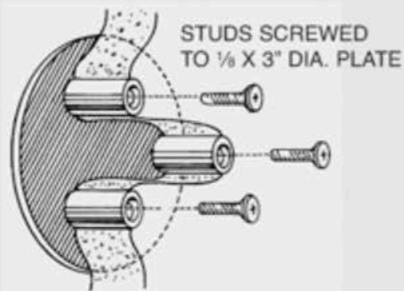
STEEL FORMED CHANNEL FOR PLASTERED, METAL STUD WALLS. ONE CHANNEL REQUIRED PER FLANGE. SIZE 2"x4"x16" .050 GAUGE.

**TYPE 2** FOR BLOCK WALLS



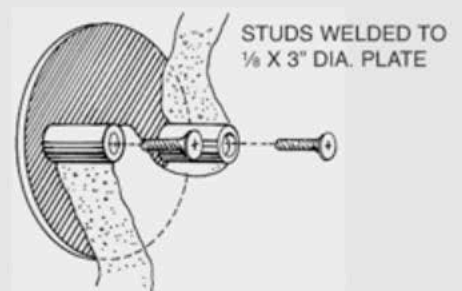
FOR PLASTERED OR TILED BRICK, CONCRETE OR BLOCK WALLS. ONE ANCHOR REQUIRED PER FLANGE. SIZE 3"x3"x1/8" STEEL PLATE. 3/8" BOLT FOR WALL 8" THICK.

**TYPE 3** FOR EXPOSED FLANGE



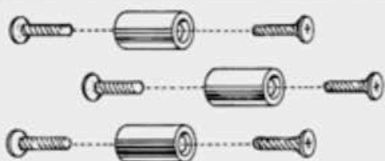
FOR INSTALLATION OF GRAB BARS THROUGH 1" THICK TOILET PARTITIONS. ONE ANCHOR REQUIRED PER FLANGE.

**TYPE 4** FOR CONCEALED FLANGE



**MATERIAL:** STAINLESS STEEL  
**FINISH:** C32D

**TYPE 5** FOR BACK TO BACK MOUNTING ON TOILET PARTITIONS

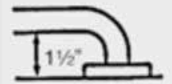


FOR INSTALLATION OF BACK TO BACK GRAB BARS THROUGH 1" THICK TOILET PARTITION. ONE SET REQUIRED FOR EACH PAIR OF FLANGES.

**MATERIAL:** BRASS STUDS WITH STAINLESS STEEL SCREWS

# Grab Bar Features & Options

- BRUSHED FINISH STANDARD ON STAINLESS STEEL (C32D)
- KNURLED GRIP OPTIONAL ON GRAB BARS
- CUSTOM BARS MANUFACTURED UPON REQUEST
- ALL EXPOSED FASTENING SCREWS ARE PHILLIPS #14 X 2" OVAL HEAD STAINLESS STEEL
- STANDOFF 1 1/2" STANDARD OTHER STANDOFFS AVAILABLE UPON REQUEST

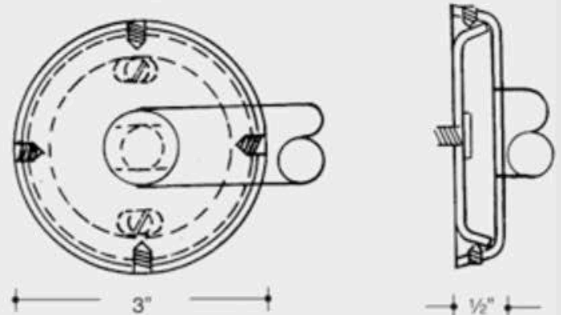


**CONCEALED FLANGE** 3" O.D. COMPLETE WITH STAINLESS STEEL INSERT

FOR 1", 1 1/4" AND 1 1/2" DIA. GRAB BARS



CONCEALED FLANGE 1", 1 1/4", 1 1/2" DIAMETER GRAB BARS

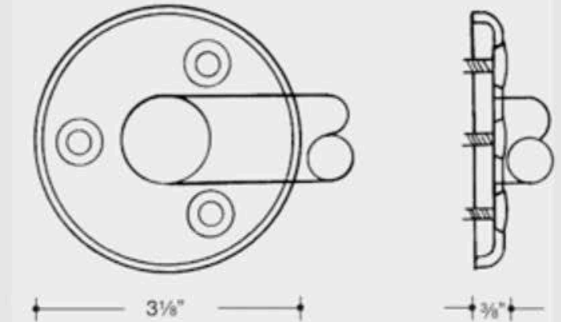


**EXPOSED FLANGE** 3 1/8" O.D.

FOR 1" AND 1 1/4" DIA. GRAB BARS



EXPOSED FLANGE 1" AND 1 1/4" DIAMETER GRAB BARS

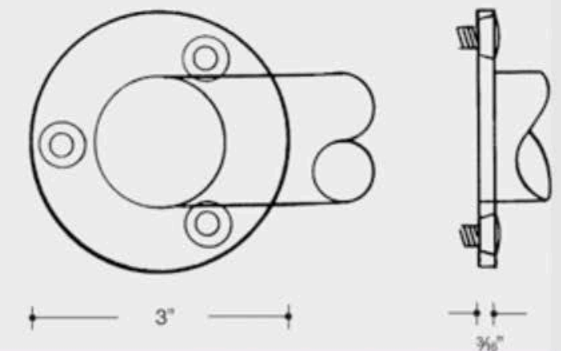


**EXPOSED FLANGE** 3" O.D. x 3/16" THICK FLAT

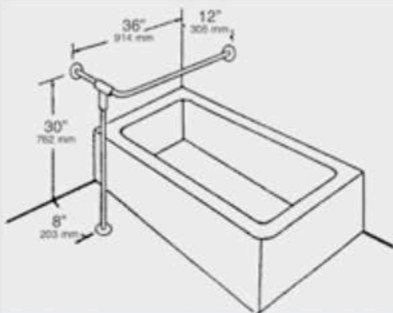
FOR 1 1/2" DIA. GRAB BARS ONLY



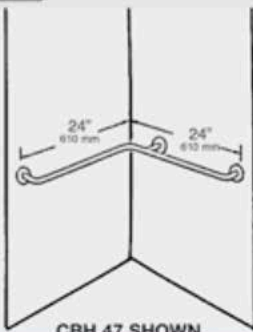
EXPOSED FLANGE 1 1/2" DIAMETER GRAB BARS



**CBH 43** 36" 914 mm

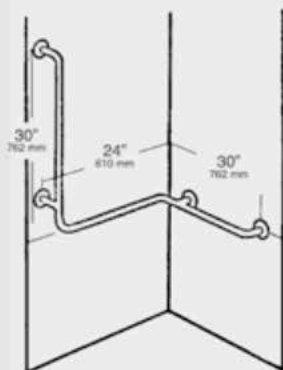


**CBH 47** 24"x24" 610x610 mm  
**CBH 48** 30"x30" 762x762 mm

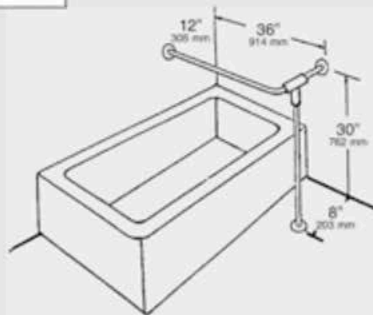


**CBH 47 SHOWN**

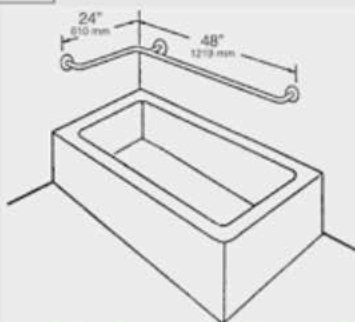
**CBH 52** 30x24x30  
762x610x762 mm



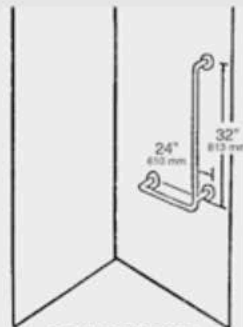
**CBH 44** 36" 914mm



**CBH 49** 24x48 610 x 1219mm

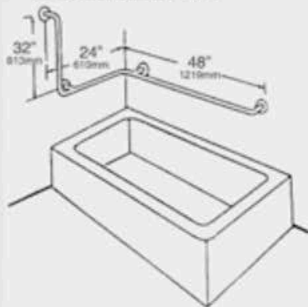


**CBH 31** 16"x24" 406x610 mm  
**CBH 33** 16"x32" 406x813 mm  
**CBH 35** 24"x32" 610x813 mm  
**CBH 35B** 30"x30" 762x762 mm

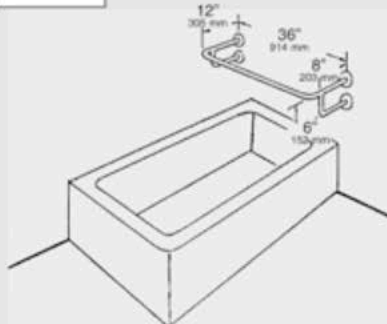


**CBH 35 SHOWN**

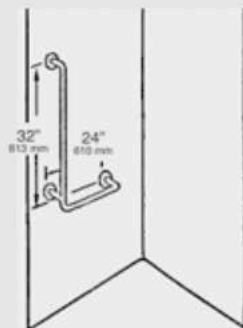
**CBH 45** 48x24x32  
1219x610x813 mm



**CBH 50** 36" 610mm

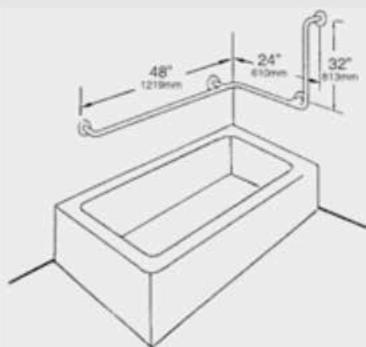


**CBH 32** 16"x24" 406x610 mm  
**CBH 34** 16"x32" 406x813 mm  
**CBH 36** 24"x32" 610x813 mm  
**CBH 36B** 30"x30" 762x762 mm

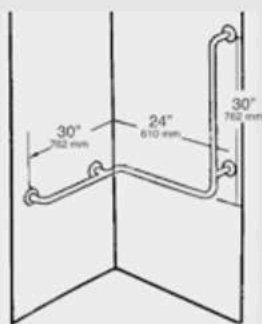


**CBH 36 SHOWN**

**CBH 46** 48x24x32  
1219x610x813 mm

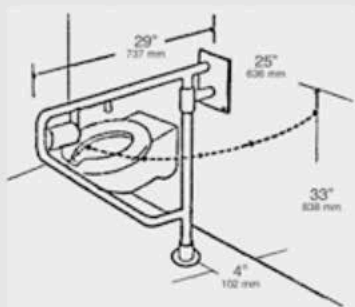


**CBH 51** 30x24x30  
762x610x762 mm



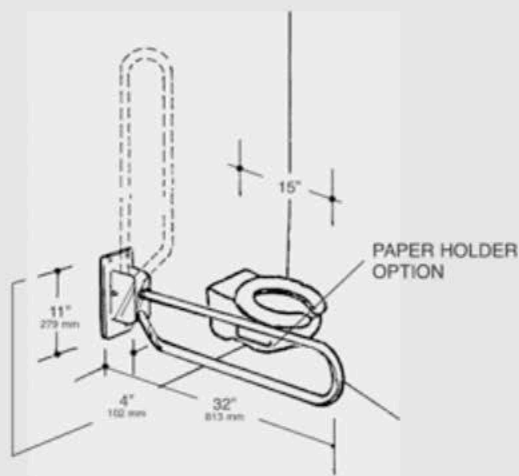


### 29" 737mm SWING CLEAR GRAB BAR



### CBH 55

### 32" 813mm LIFT UP BAR



## Stainless Steel Grab Bars

Available in 1" - 1 1/4" - 1 1/2" O.D. Tubing, .050 Gauge, Type 304 Stainless Steel.

### CONCEALED MOUNTED FLANGE

3" (76mm) Diameter, 1/2" (13mm) Projection, .125 Gauge, Type 304 Stainless Steel.

### EXPOSED MOUNTED FLANGE

For 1" and 1 1/4" Tubing, 3/4" (80mm) Diameter, 3/8" (10mm) Projection, .125 Gauge, Type 304 Stainless Steel.

For 1 1/2" Tubing, 3" (76mm) Diameter, 3/16" (5mm) Projection, .187 Gauge, Type 304 Stainless Steel.

All Stainless Steel Bars and Flanges are Heliarc-Welded for Maximum Strength.

**NOTE: All "CBH" Bars meet or exceed the Load Resistance and Standoff as required by the National Building Code. Consult local building code for required mounting heights and locations.**

## How to Order

### Exposed Mounting - Code E

- Satin Stainless Steel (C32D)
- 1" O.D. Series - 4E
- 1 1/4" O.D. Series - 5E
- 1 1/2" O.D. Series - 6E

### Concealed Mounting - Code C

- Satin Stainless Steel (C32D)
- 1" O.D. Series - 4C
- 1 1/4" O.D. Series - 5C
- 1 1/2" O.D. Series - 6C

### Knurling - Code K

## Example

"If you require a:"

- 18" Straight Bar
- 1 1/4" Diameter
- Satin Stainless Steel (C 32D)
- Exposed Flange

"Specify as follows:"

Grab Bar Design \_\_\_\_\_

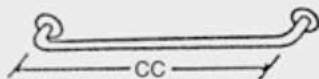
Diameter, (Stainless Steel 4-5-6-  
(Exposed **E**) Concealed (C)  
(Knurling)

Example: **CBH 11-5E K**

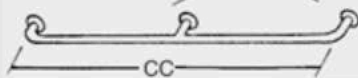
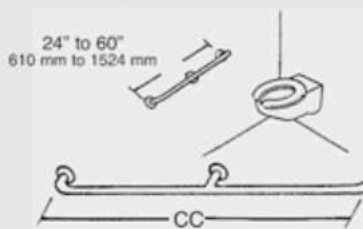
TO SPECIFY KNURLING USE SUFFIX "K"

**CBH 11**  
**5**  
**E**  
**K**

- CBH 11 12" 305 mm
- CBH 12 18" 457 mm
- CBH 13 24" 610 mm
- CBH 13B 30" 762 mm
- CBH 14 32" 813 mm
- CBH 14 36" 914 mm
- CBH 15 48" 1219 mm



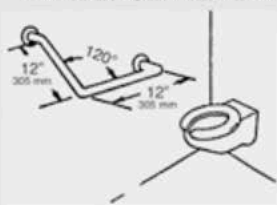
- CBH 16 24" 610 mm
- CBH 17 30" 762 mm
- CBH 18 36" 914 mm
- CBH 19 48" 1219 mm
- CBH 20 60" 1524 mm



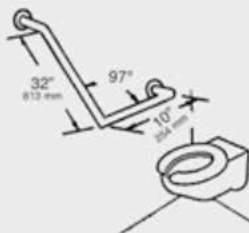
- CBH 21 24" 610 mm
- CBH 22 30" 762 mm
- CBH 23 36" 914 mm
- CBH 24 48" 1219 mm
- CBH 25 60" 1524 mm



- CBH 26 12"x12" 305x305 mm
- CBH 27 24"x24" 610x610 mm
- W/ADDED CENTRE FLANGE



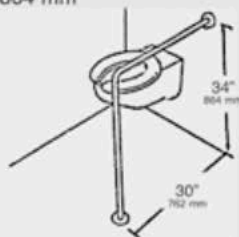
- CBH 28 10x32x97° ANGLE BAR
- 254x813 mm



- CBH 29 10x32x97° ANGLE BAR
- 254 x 813 mm



- CBH 30 30x34 WALL TO FLOOR
- 762 x 864 mm



- CBH 31 16"x24" 406x610 mm
- CBH 33 16"x32" 406x813 mm
- CBH 35 24"x32" 610x813 mm
- CBH 35B 30"x30" 762 x 762 mm



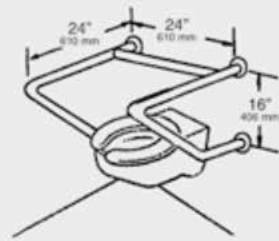
CBH 33 SHOWN

- CBH 32 16"x24" 406x610 mm
- CBH 34 16"x32" 406x813 mm
- CBH 36 24"x32" 610x813 mm
- CBH 36B 30"x30" 762x762 mm

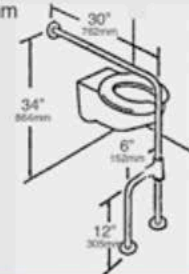


CBH 34 SHOWN

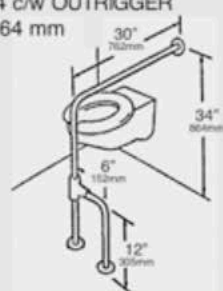
- CBH 37 24" 610 mm DOUBLE BAR



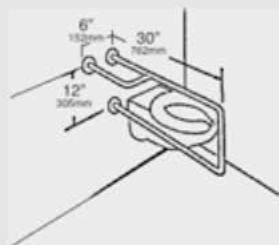
- CBH 39 30" x 34 c/w OUTRIGGER
- 762 x 864 mm



- CBH 40 30" x 34 c/w OUTRIGGER
- 762 x 864 mm



- CBH 41 30" 762mm SIDE BAR



- CBH 42 30" 762 mm SIDE BAR

