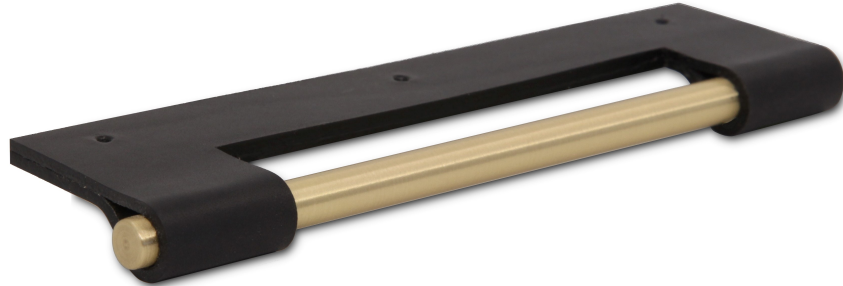
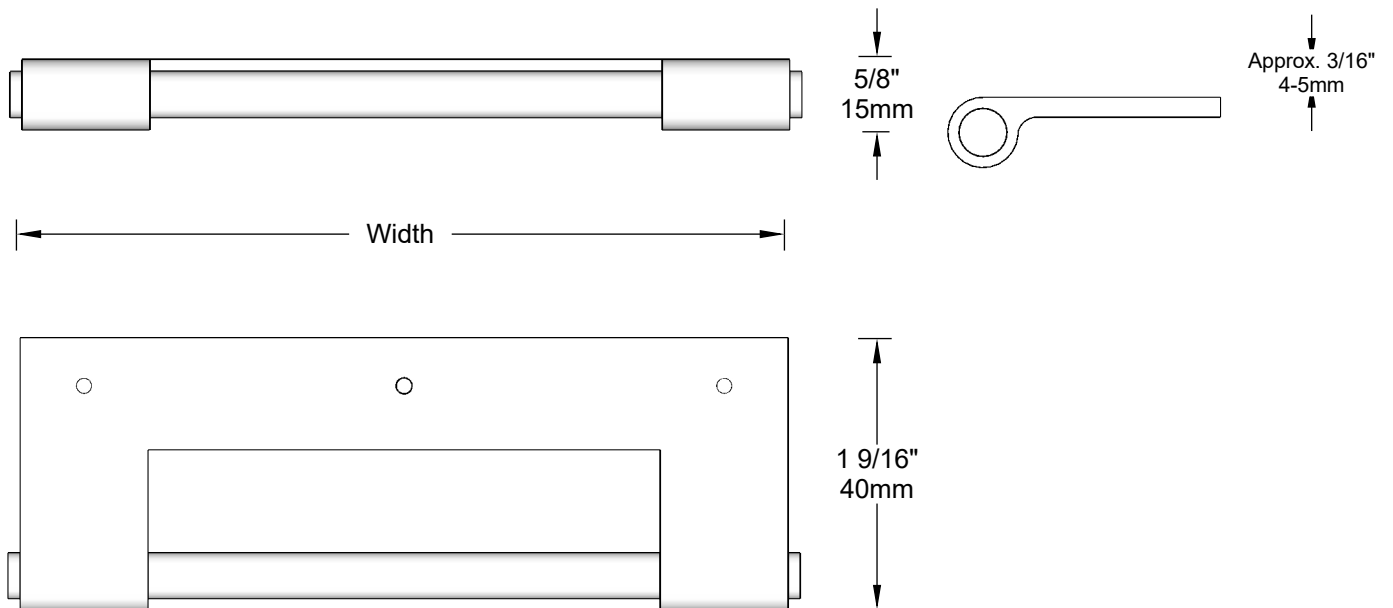


# CHAPMAN & BOSE



## EP03 Leather Edge Pull

Leather edge pull with an exposed core in solid brass or stainless steel



**Width**  
6" (152mm)

**Leather**  
Black, Taupe, Whiskey brown, Chocolate brown  
White, Natural, Yellow, Blue, Green, Red, Olive

**Core**  
Satin brass, Aged brass patina, Brushed stainless steel

\*We suggest cutting recessed grooves after receiving the product.  
As a natural material, leather thicknesses can vary slightly.