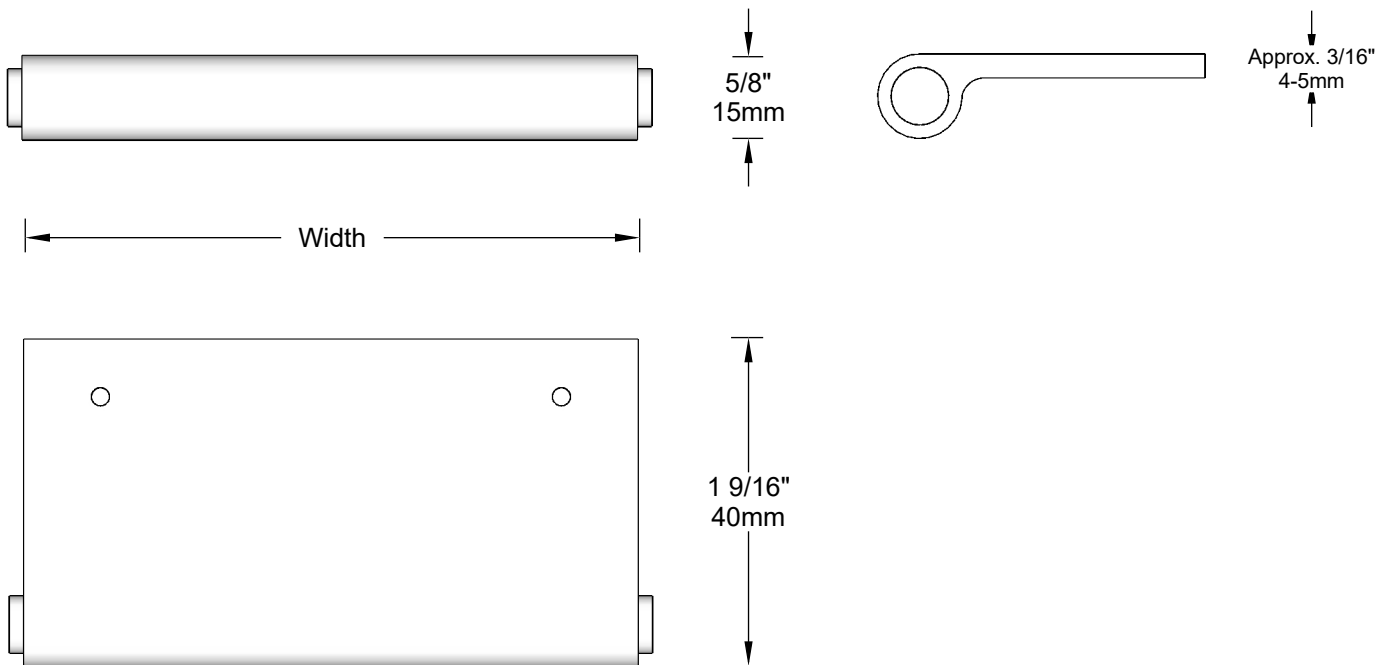


CHAPMAN & BOSE



EP01 Leather Edge Pull

Leather edge pull with a solid brass or stainless steel core



Width

2" (50mm), 4" (102mm), 6" (152mm), 8" (203mm), 10" (254mm)

Leather

Black, Taupe, Whiskey brown, Chocolate brown

Core

Satin brass, Aged brass patina, Brushed stainless steel

*We suggest cutting recessed grooves after receiving the product. As a natural material, leather thicknesses can vary slightly.