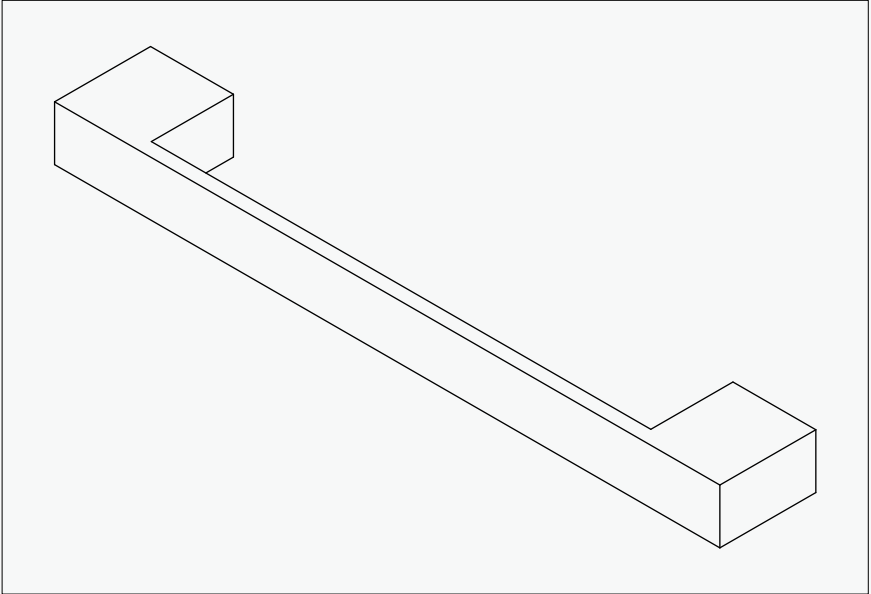
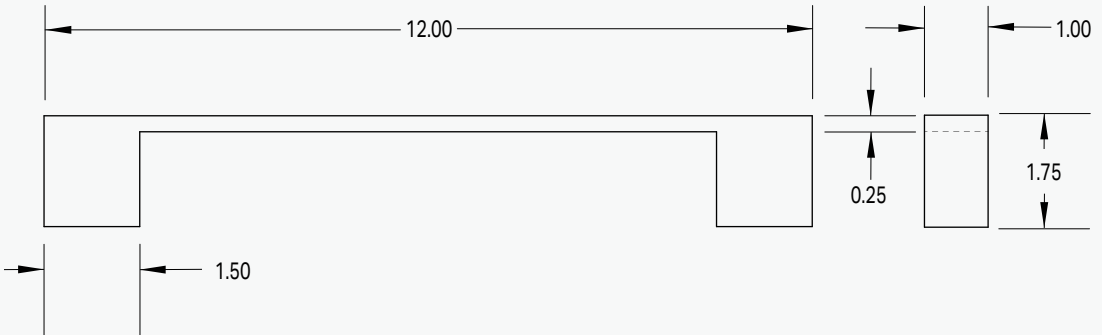


Charlie Wide Base Appliance Pull | 12"



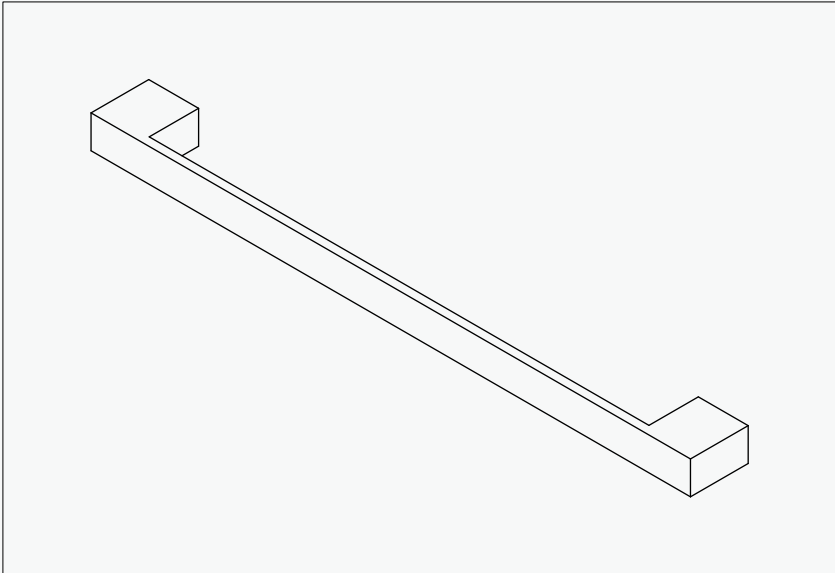
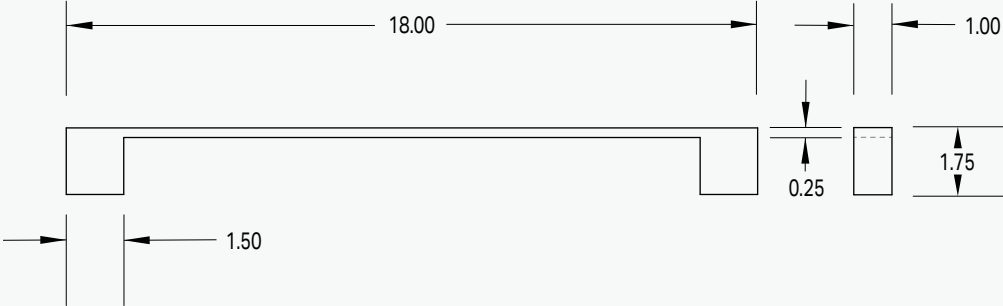
AVAILABLE IN CUSTOM LENGTHS.

INCLUDES:

- Mounting Hardware, 5/16" bolt.

1:3
Inches

Charlie Wide Base Appliance Pull | 18"



AVAILABLE IN CUSTOM LENGTHS.

INCLUDES:

- Mounting Hardware, 5/16" bolt.

1:5
Inches