

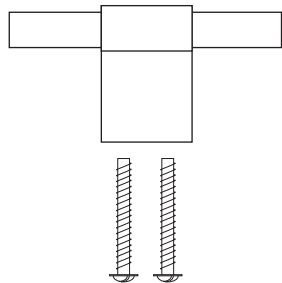
LINE 60 - KNOB

Line 60 is an elegant little knob. Combine with the handles in the same series.

Art.No.	Material:
KN 28 M	polished brass
KN 28 MB	brushed brass
KN 28 K	chrome
KN 28 KS	black chrome

Size:	centre to centre:
60x30x8mm	12mm

Mounting:
Mounted with two screw.
Screws: M4 x 25mm



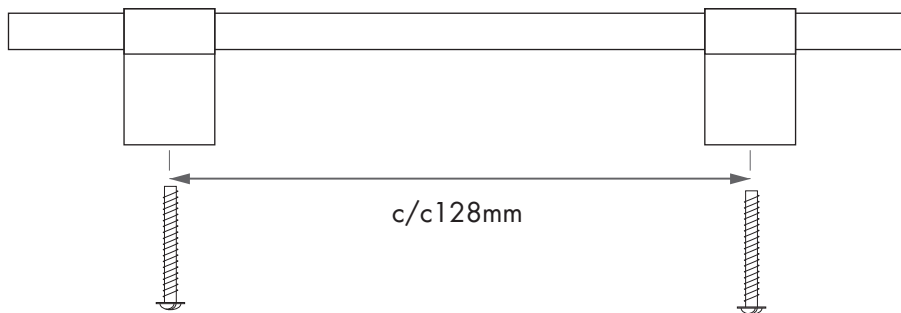
LINE 198 - HANDLE

Line 198 is a elegant and slim handle.
The handle comes in several different lengths.

Art.No.	Material:
HA 60 M	polished brass
HA 60 MB	brushed brass
HA 60 K	chrome
HA 60 KS	black chrome

Size: 198x30x8mm centre to centre:
128mm

Mounting:
The centre to centre measure is 128mm
Screw: M4 x 25mm



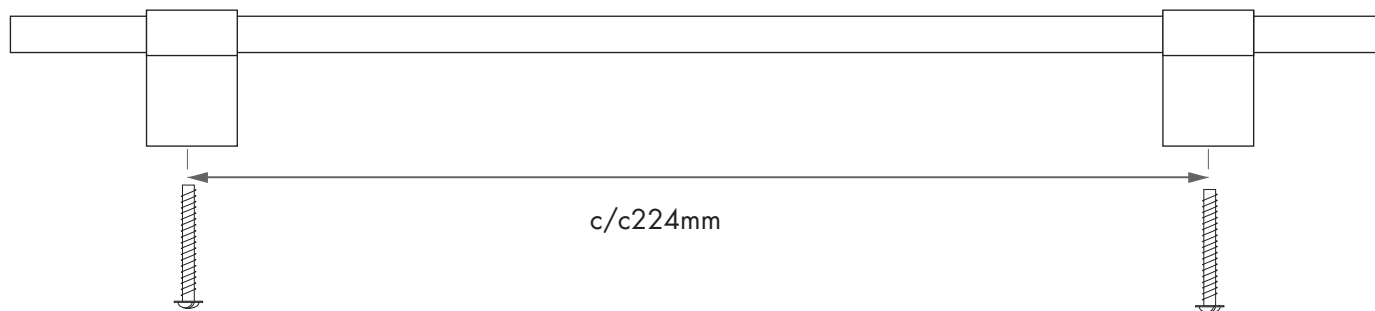
LINE 304 - HANDLE

LINE 304 is a elegant and slim handle.
The handle comes in several different lengths.

Art.No.	Material:
HA 61 M	polished brass
HA 61 MB	brushed brass
HA 61 K	chrome
HA 61 KS	black chrome

Size:	centre to centre:
304x30x8mm	224mm

Mounting:
The centre to centre measure is 224mm
Screw: M4 x 25mm



LINE 432 - HANDLE

Line 432 is a elegant and slim handle.
The handle comes in several different lengths.

Art.No.	Material:
HA 62 M	polished brass
HA 62 MB	brushed brass
HA 62 K	chrome
HA 62 KS	black chrome

Size:	centre to centre:
432x30x8mm	342mm

Mounting:
The centre to centre measure is 342mm
Screw: M4 x 25mm

