

CHAPMAN & BOSE



BAR PULL
PRODUCT SHEET



PRODUCT DETAILS

MATERIALS

Smooth full grain leather, Walnut, Oak, Blackened Oak

DIMENSIONS

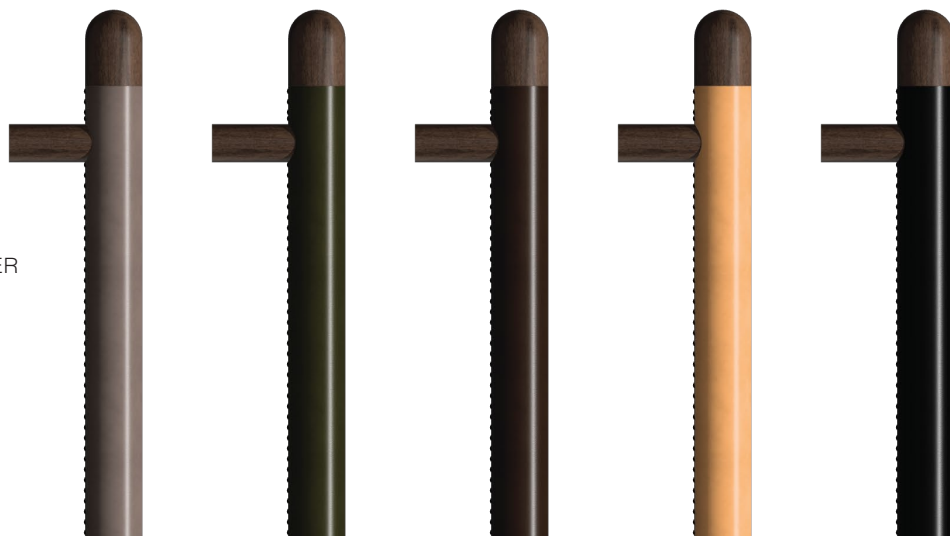
Length : 12" , 18" , 24" , 30" (Only 3/4" diameter offered in 12" length)

Diameter Options : 3/4" , 1" , 1.25"

MAINTENANCE

Please visit chapmanbose.com for materials, care and maintenance instructions.

LEATHER COLOUR OPTIONS



WALNUT + WHISKEY BROWN LEATHER

TAUPE

OLIVE

CHOCOLATE
BROWN

NATURAL

BLACK

MATERIAL OPTIONS

BLACKENED OAK



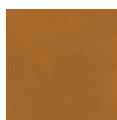
WHITE OAK



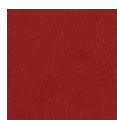
WALNUT



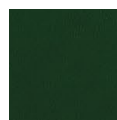
ADDITIONAL LEATHER COLOURS



YELLOW



RED



GREEN



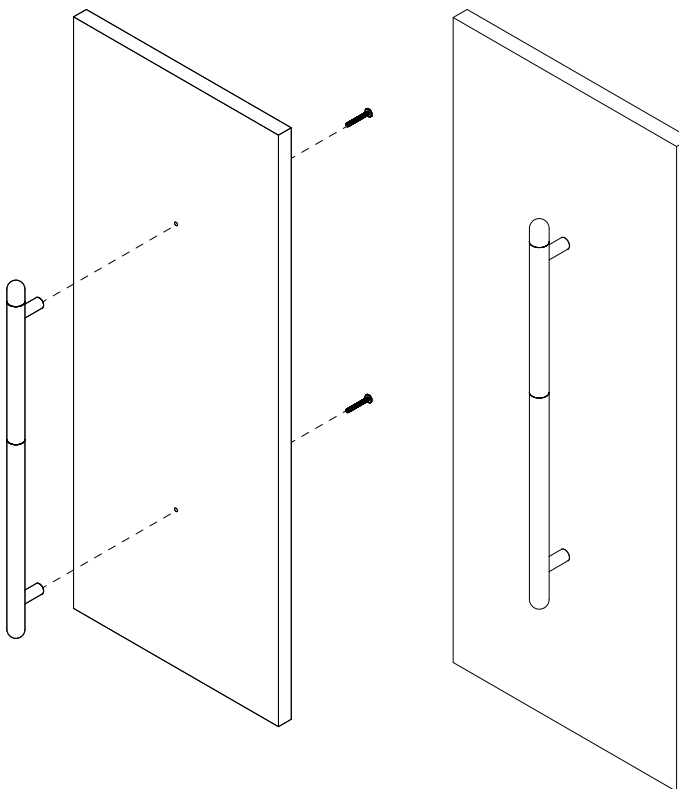
BLUE



WHITE

INSTALLATION

Our Bar Pulls are supplied with mounting hardware designed for use on 3/4" thick doors. Please contact us for custom sizing and hardware.

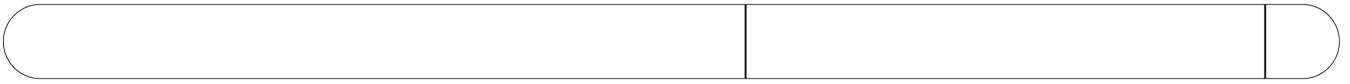


1.25" DIAMETER



BP02 - BAR PULL

1" DIAMETER



BP02 - BAR PULL

3/4" DIAMETER



BP01 - CABINET BAR PULL