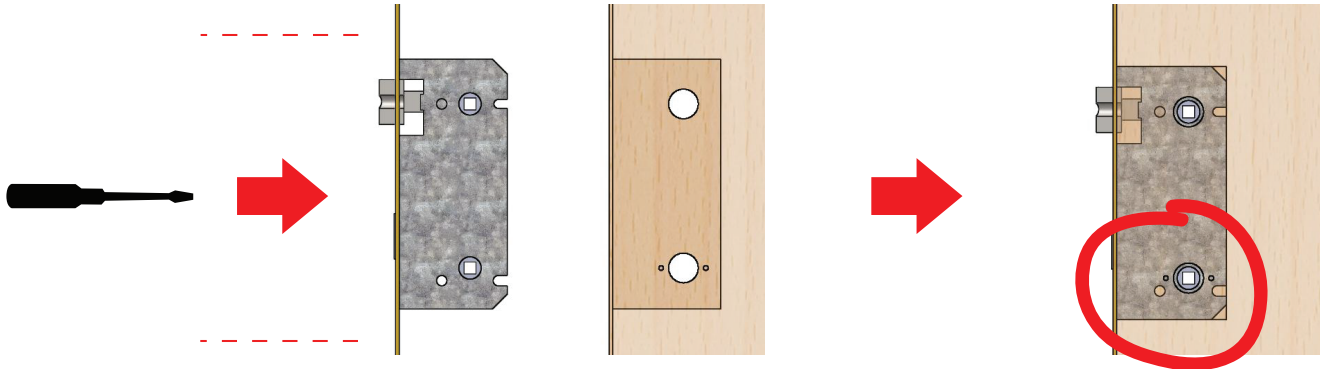




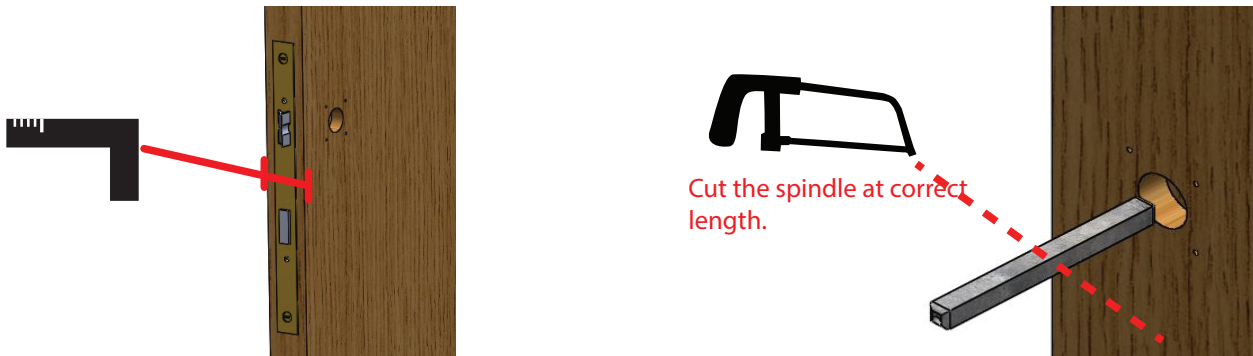
1. Mount

Mount the lock inside the slot of the door before placing the lever handles or door knobs.



2. Measure

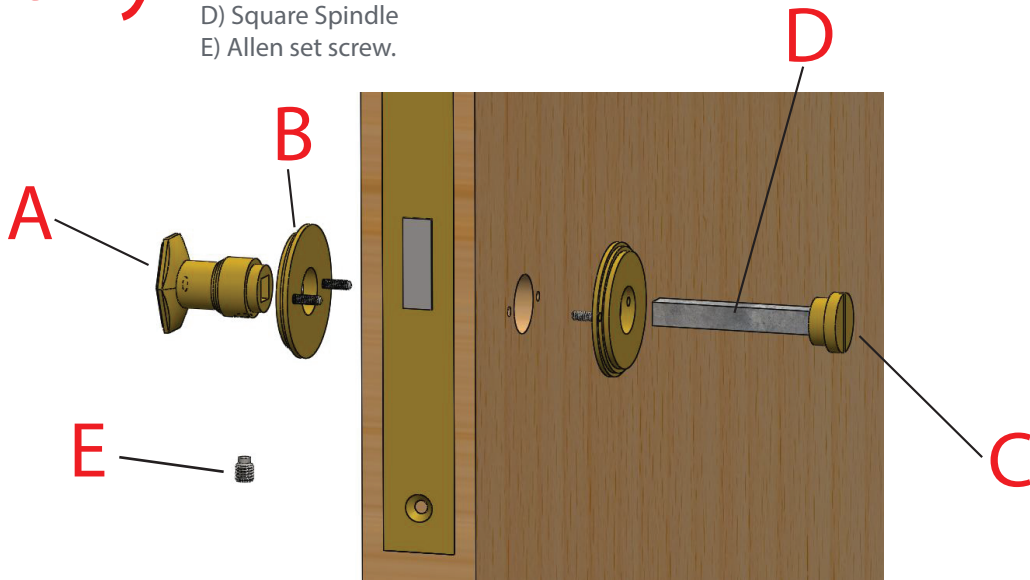
Measure the door thickness and adding 40 to 50 mm. Ensure to leave at least 25 mm length of spindle coming out on each side of the door. Then cut off the spindle. Beware that this length may change depending on the selected model.



3. Identify

Identify the next items:

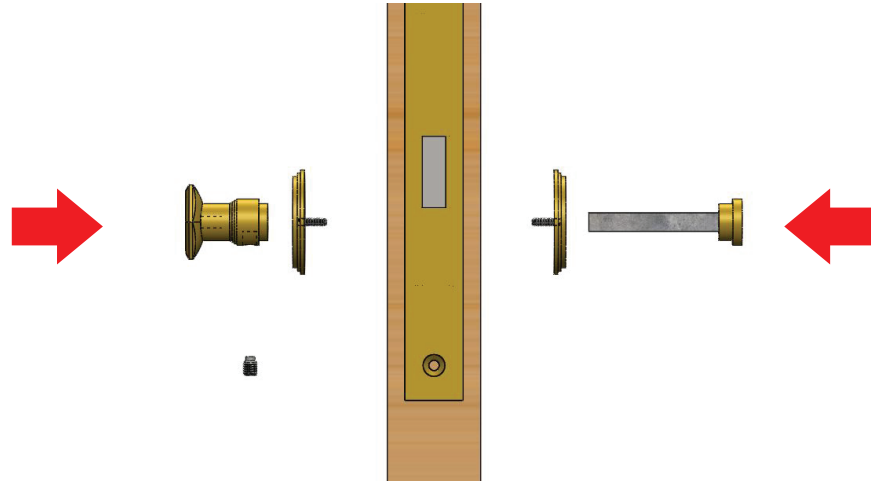
- A) Thumbturn (Privacy knob)
- B) Rose
- C) Emergency release spindle
- D) Square Spindle
- E) Allen set screw.





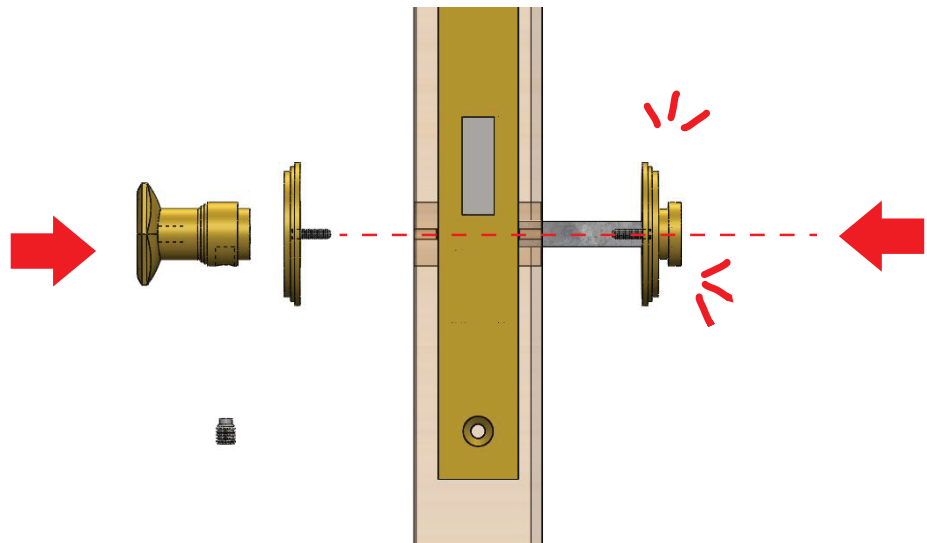
4. Introduce

Introduce the emergency release spindle through the rose and the door in order to assemble all the elements together.



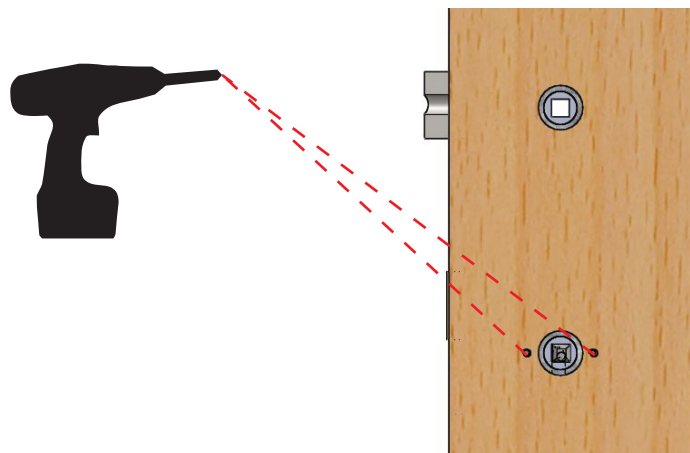
5. Check

Check the spindle to be horizontal and straight by gently stroking the rose and the emergency release, in this way the point screws will leave a mark on the face of the door. Repeat the same operation on both sides of the door.



6. Drill

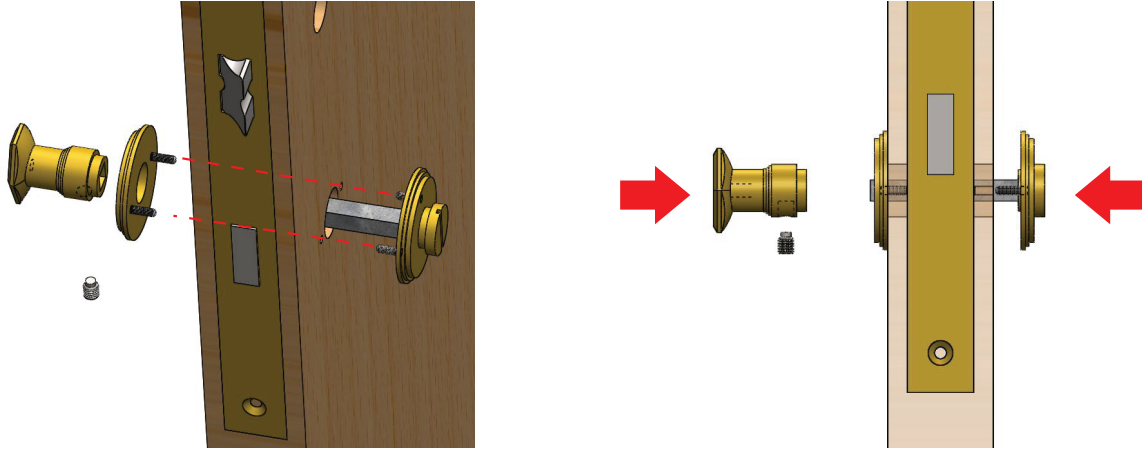
Drill the holes of \varnothing 3mm for each mark of point screw done in operation number 5.





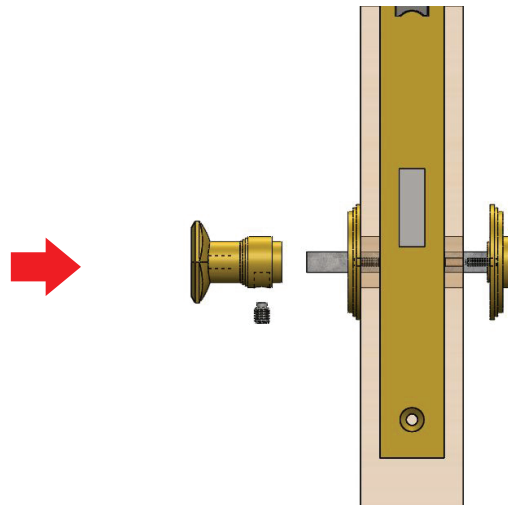
7. Place

the rose on the door facing the holes and pushing it through.
Then place and push the spindle through the square hole in its right position.



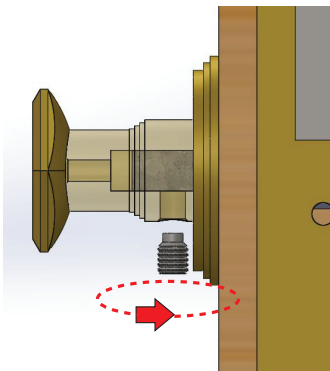
8. Tighten

Slide through the thumbturn in the spindle and tighten together all the systeme.



9. Set

With the aide of a allen wrench position the set screw M6 and tighten it as much as possible



Attention make sure that the set screw
pierces the spindle firmly!