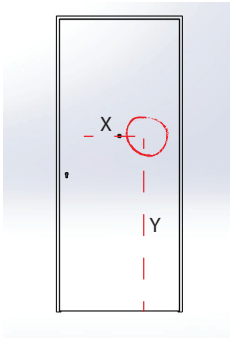




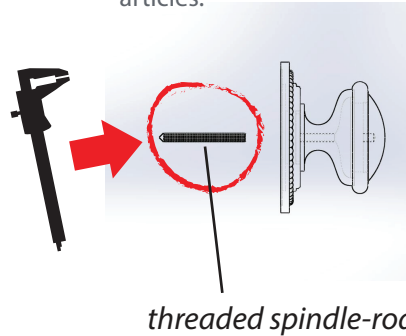
1. Mark

Mark the position of the Door Knob with a ruler and pencil.



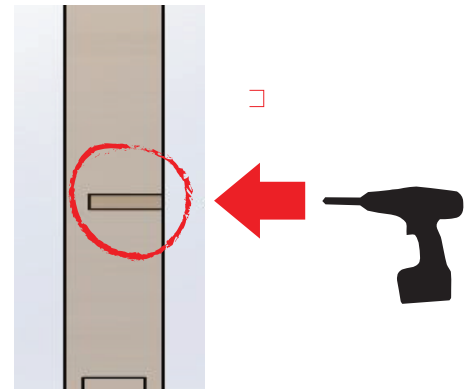
2. Measure

Measure the diameter of the threaded spindle. Usually M8 for standard articles.



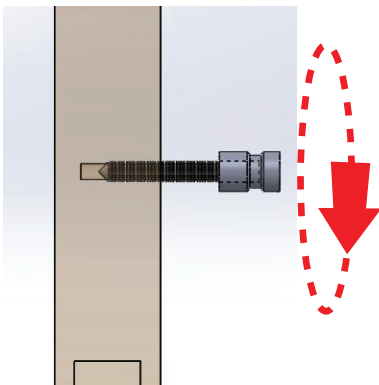
3. Drill

Drill a hole respecting the position of step 1.

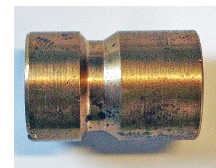


4. Screw

Screw the *hanger bolt* in the front of the door and the securit bolt in the securite cap bolt



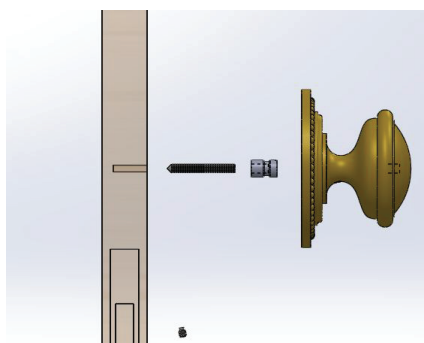
The *hanger bolt* is a double threaded part. One side is for the wooden doors and the other side is a metric thread for the nut.



The so called «*securit*» cap bolt. Allow to set the item with the support of an Allen set screw

5. Assemble

Assemble together all the components following the threaded spindle.



6. Fix

When the Door Knob is mounted on its final position, screw the Allen set screw M6 and tighten it as much as possible. Normally it should be hidden underneath.

