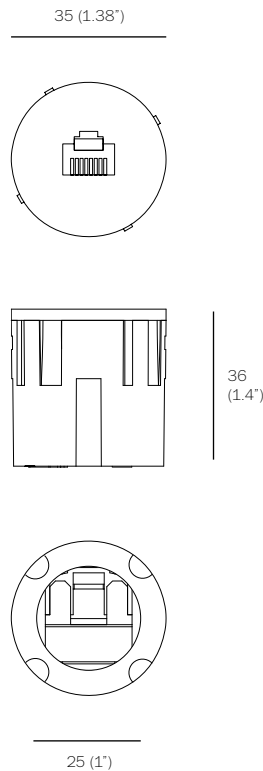
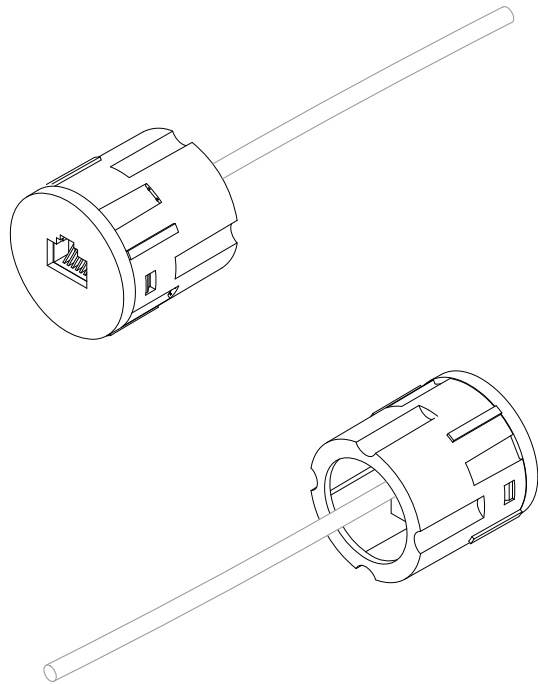


DATA RJ45 CAT6a

22.3.9

Design by Omer Arbel
PRODUCT SPECIFICATION



FUNCTION: CAT6a network cable connection

MATERIALS: polycarbonate casing, electrical components

CONFIGURATION: for use in all 22.2 mounting plates

INPUT / OUTPUT: 44 to 57V DC (POE protocols)

DESCRIPTION

The 22 system is a complete suite of interior surface accessories that challenge the traditional, tired and ubiquitous cover plate concept. The 22 is designed to "mud" directly into drywall without a visible cover plate or trim. Alternatively, it may be set flush into millwork, marble, glass or any other surface. 22 operative components include: power outlets, data & communication, telephone receptacles, cable and HDMI connectors, line voltage on/off switches, keypad controls, and USB.

APPLICATIONS

The 22.3.9 is a CAT6a network cable electrical receptacle. The 22.3.9 can be inserted into any of the 22.2 series mounting plates.

NOTES

- + Mounting plates sold separately
- + Purchase additional components at www.bocci.com/shop/22

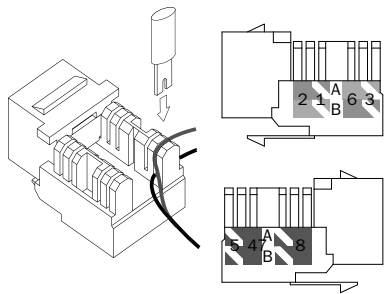
Worldwide utility patents pending
US Patent # 7,956,295 B2 & 8,912,439 B2

Made in Vancouver, Canada

Vancouver
sales@bocci.com
www.bocci.com

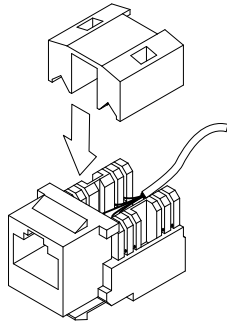
Berlin
europe@bocci.com
www.bocci.com





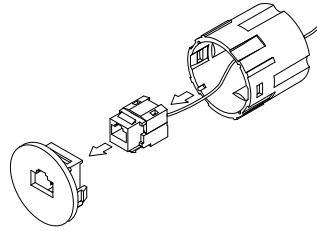
1

Insert all wires into the CAT6a keystone by inserting them into the corresponding colour coded position using a Type 110 punch down tool and trim excess wire.



2

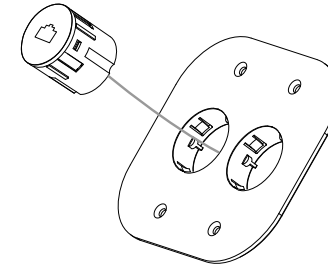
Install the cover piece by pressing down onto CAT6a Keystone.



3

Snap the assembled keystone into the face plate and then snap the barrel into place.

Note: Ensure that the CAT6a cable is threaded through the back of the barrel as shown.



4

Insert the assembled module into the mounting plate.

Refer to the 22.2 mounting plate installation instructions for more details.

Best practice statement: For ease of future access or maintenance, we recommend a single incoming wire to the junction box (no J-box splices) immediately behind the 22 receptacles.

Wiring schematic:
22.3.9 CAT6a wiring

PIN	PIN	WIRE		
1	3	1		Not Used
2	3	2		Not Used
3	2	1		Not Used
4	1	2		Switch
5	1	1		Switch
6	2	2		Not Used
7	4	1		Not Used
				Not Used

Vancouver
sales@bocci.com
www.bocci.com

Berlin
europe@bocci.com
www.bocci.com

Worldwide utility patents pending
US Patent # 7,956,295 B2 & 8,912,439 B2

Made in Vancouver, Canada

DATA RJ45 CAT6a

22.3.9

Design by Omer Arbel
PRODUCT INSTALLATION INSTRUCTIONS



For additional assistance,
please contact

Vancouver
sales@bocci.com
www.bocci.com

Berlin
europe@bocci.com
www.bocci.com

© 2020, Bocci Design and Manufacturing Inc. All rights reserved. Any inquiries should be directed to: info@bocci.com

BOCCI