

FUNCTION: keypad control to provide digital inputs for use with home automation systems (e.g., Crestron, Lutron, etc.)

MATERIALS: polycarbonate casing, electrical components

CONFIGURATION: for use in all 22.2 mounting plates

DESCRIPTION

The 22 system is a complete suite of interior surface accessories that challenge the traditional, tired and ubiquitous cover plate concept. The 22 is designed to "mud" directly into drywall without a visible cover plate or trim. Alternatively, it may be set flush into millwork, marble, glass or any other surface. 22 operative components include: power outlets, data & communication, telephone receptacles, cable and HDMI connectors, line voltage on/off switches, keypad controls, and USB.

APPLICATIONS

The 22.3.6 is a keypad control to provide digital inputs to intelligent control automation systems. It accepts an RJ45 CAT5 cable connection to the control system. The 22.3.6 can be inserted into any of the 22.2 series mounting plates.

NOTES

- + Mounting plates sold separately
- + Purchase additional components at www.bocci.com/shop/22

Worldwide utility patents pending
US Patent # 7,956,295 B2 & 8,912,439 B2

Made in Vancouver, Canada

Vancouver
sales@bocci.com
www.bocci.com

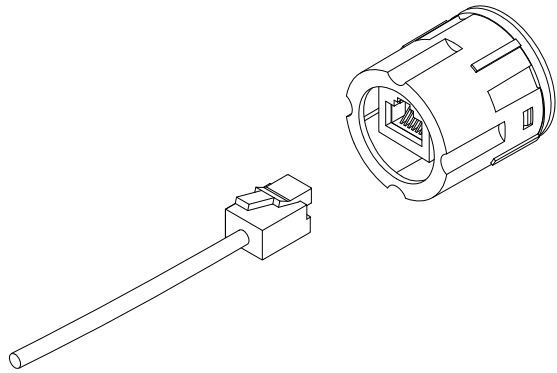
Berlin
europe@bocci.com
www.bocci.com



KEYPAD CONTROL

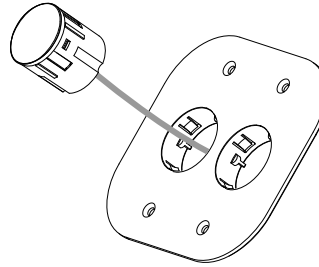
22.3.6

Design by Omer Arbel
PRODUCT SPECIFICATION



1

Plug the RJ45 CAT5 cable from the control system into the RJ45 receptacle in the back of the switch.



2

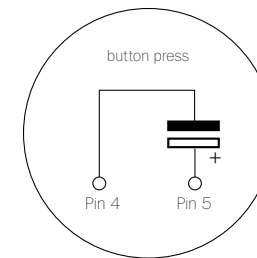
Insert the assembled module into the mounting plate.

Refer to the 22.2 mounting plate installation instructions for more details.

Best practice statement: For ease of future access or maintenance, we recommend a single incoming wire to the junction box (no J-box splices) immediately behind the 22 receptacles.

Wiring schematic:
22.3.6 CAT5 wiring

PIN	PIN	WIRE		
1	3	1		Not Used
2	3	2		Not Used
3	2	1		Not Used
4	1	2		Switch
5	1	1		Switch
6	2	2		Not Used
7	4	1		Not Used
8	4	2		Not Used



KEYPAD CONTROL

22.3.6

Design by Omer Arbel
PRODUCT INSTALLATION INSTRUCTIONS



For additional assistance,
please contact

Vancouver
sales@bocci.com
www.bocci.com

Berlin
europe@bocci.com
www.bocci.com

© 2020, Bocci Design and Manufacturing Inc. All rights reserved. Any inquiries should be directed to: info@bocci.com

BOCCI