

FUNCTION: cable F connector
 MATERIALS: polycarbonate casing, electrical components
 CONFIGURATION: for use in all 22.2 mounting plates
 INPUT / OUTPUT: 24V DC, 500mA max

DESCRIPTION

The 22 system is a complete suite of interior surface accessories that challenge the traditional, tired and ubiquitous cover plate concept. The 22 is designed to “mud” directly into drywall without a visible cover plate or trim. Alternatively, it may be set flush into millwork, marble, glass or any other surface. 22 operative components include: power outlets, data & communication, telephone receptacles, cable and HDMI connectors, line voltage on/off switches, keypad controls, and USB.

APPLICATIONS

The 22.3.5 is a cable F connector electrical receptacle. The 22.3.5 can be inserted into any of the 22.2 series mounting plates.

NOTES

- + Mounting plates sold separately
- + Purchase additional components at www.bocci.com/shop/22

Worldwide utility patents pending
 US Patent # 7,956,295 B2 & 8,912,439 B2

Made in Vancouver, Canada

Vancouver
sales@bocci.com
www.bocci.com

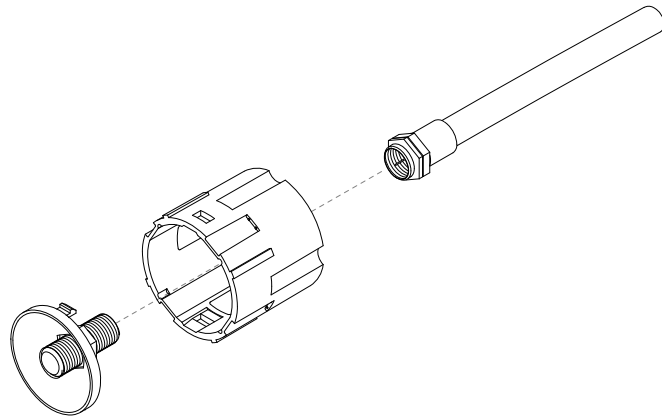
Berlin
europe@bocci.com
www.bocci.com



CABLE F CONNECTOR

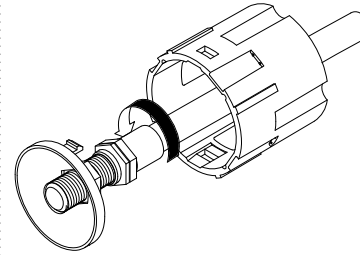
22.3.5

Design by Omer Arbel
 PRODUCT SPECIFICATION



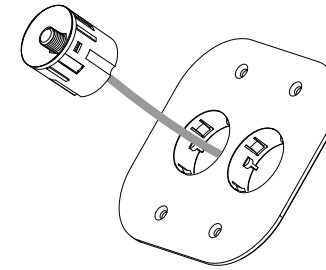
1

Thread the coaxial RF cable through the barrel as illustrated



2

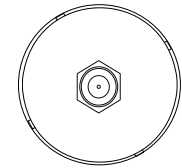
Screw the coaxial cable onto the threaded stem and snap the barrel onto the face plate.



3

Insert the assembled module into the mounting plate.

Best practice statement: For ease of future access or maintenance, we recommend a single incoming wire to the junction box (no J-box splices) immediately behind the 22 receptacles.



4

Refer to the 22.2 mounting plate installation instructions for more details.

For additional assistance, please contact Bocci:

Vancouver
sales@bocci.com
www.bocci.com

Berlin
europe@bocci.com
www.bocci.com

Worldwide utility patents pending
US Patent # 7,956,295 B2 & 8,912,439 B2

Made in Vancouver, Canada



CABLE F CONNECTOR

22.3.5

Design by Omer Arbel
PRODUCT INSTALLATION INSTRUCTIONS

© 2020, Bocci Design and Manufacturing Inc. All rights reserved. Any inquiries should be directed to: info@bocci.com

BOCCI