

FUNCTION: cable F connector
 MATERIALS: polycarbonate casing, electrical components
 CONFIGURATION: for use in all 22.2 alternate mounting plates
 INPUT / OUTPUT: 24V DC, 500mA max

DESCRIPTION

The 22 system is a complete suite of interior surface accessories that challenge the traditional, tired and ubiquitous cover plate concept. The 22 is designed to "mud" directly into drywall without a visible cover plate or trim. Alternatively, it may be set flush into millwork, marble, glass or any other surface. 22 operative components include: power outlets, data & communication, telephone receptacles, cable and HDMI connectors, line voltage on/off switches, keypad controls, and USB.

APPLICATIONS

The 22.3.5M is a cable F connector electrical receptacle. The 22.3.5M can be inserted into any of the 22.2 series alternate mounting plates. The suffix "M" refers to the extended barrel length for use with thick finish materials.

NOTES

- + Mounting plates sold separately
- + Purchase additional components at www.bocci.com/shop/22

Worldwide utility patents pending
 US Patent # 7,956,295 B2 & 8,912,439 B2

Made in Vancouver, Canada

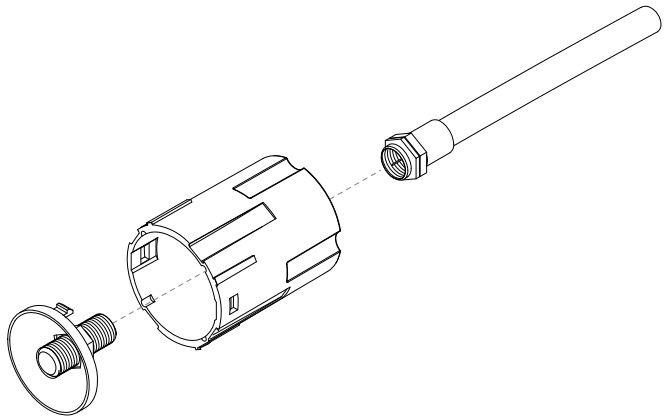
Vancouver
sales@bocci.com
www.bocci.com

Berlin
europe@bocci.com
www.bocci.com



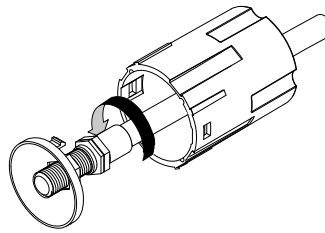
CABLE F CONNECTOR - MEDIUM BARREL
22.3.5M Design by Omer Arbel
 PRODUCT SPECIFICATION





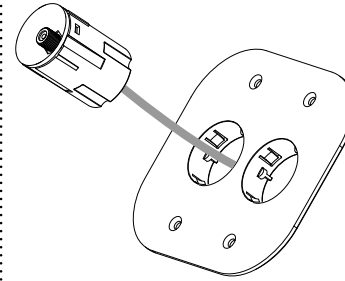
1

Thread the coaxial RF cable through the barrel as illustrated



2

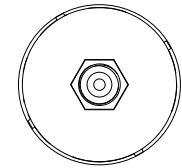
Screw the coaxial cable onto the threaded stem and snap the barrel onto the face plate.



3

Insert the assembled module into the mounting plate.

Best practice statement: For ease of future access or maintenance, we recommend a single incoming wire to the junction box (no J-box splices) immediately behind the 22 receptacles.



4

Refer to the 22.2 mounting plate installation instructions for more details.

For additional assistance, please contact Bocci:

Vancouver
sales@bocci.com
www.bocci.com

Berlin
europe@bocci.com
www.bocci.com

Worldwide utility patents pending
US Patent # 7,956,295 B2 & 8,912,439 B2

Made in Vancouver, Canada



CABLE F CONNECTOR - MEDIUM BARREL

22.3.5M

Design by Omer Arbel
PRODUCT INSTALLATION INSTRUCTIONS

© 2020, Bocci Design and Manufacturing Inc. All rights reserved. Any inquiries should be directed to: info@bocci.com

BOCCI