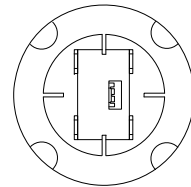


36 (1.4")



25 (1")

35 (1.38")

FUNCTION: line voltage on/off switch

MATERIALS: polycarbonate casing, electrical components

CONFIGURATION: for use in all 22.2 mounting plates

INPUT: 120V, 15A

DESCRIPTION

The 22 system is a complete suite of interior surface accessories that challenge the traditional, tired and ubiquitous cover plate concept. The 22 is designed to "mud" directly into drywall without a visible cover plate or trim. Alternatively, it may be set flush into millwork, marble, glass or any other surface. 22 operative components include: power outlets, data & communication, telephone receptacles, cable and HDMI connectors, line voltage on/off switches, keypad controls, and USB.

APPLICATIONS

The 22.3.2 is a line voltage on/off switch. The 22.3.2 can be inserted into any of the 22.2 series mounting plates.

NOTES

- + Mounting plates sold separately
- + Purchase additional components at www.bocci.com/shop/22

Worldwide utility patents pending
US Patent # 7,956,295 B2 & 8,912,439 B2

Made in Vancouver, Canada

Vancouver
sales@bocci.com
www.bocci.com

Berlin
europe@bocci.com
www.bocci.com

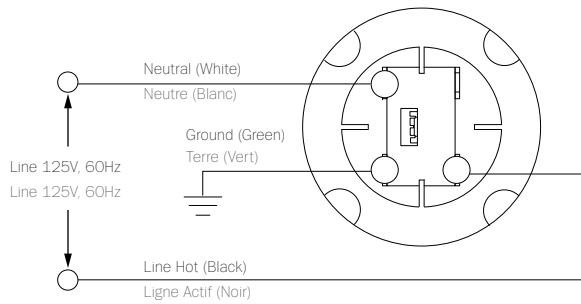


BOCCI

CONTROL SINGLE POLE 120V

22.3.2

Design by Omer Arbel
PRODUCT SPECIFICATION

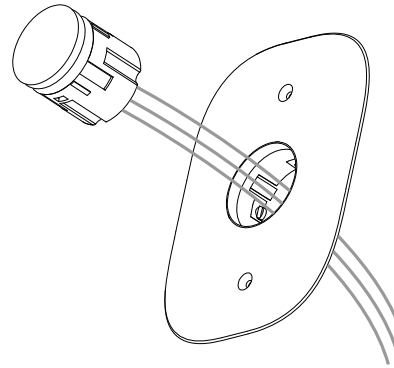


1

Connect the wires according to the wiring diagram above using appropriately sized marettes.

Mount the cover plate to the junction box using the appropriate instruction sheet.

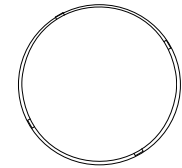
Note: 22 receptacles use 14GA (2.08mm) wire.



2

Insert the wiring into the junction box, then snap the operative components into the cover plate.

Best practice statement: For ease of future access or maintenance, we recommend a single incoming wire to the junction box (no J-box splices) immediately behind the 22 receptacles.



3

Refer to the 22.2 mounting plate installation instructions for more details.

For additional assistance, please contact Bocci:

Vancouver
sales@bocci.com
www.bocci.com

Berlin
europe@bocci.com
www.bocci.com



CONTROL SINGLE POLE 120V

22.3.2

Design by Omer Arbel
 PRODUCT INSTALLATION INSTRUCTIONS

For additional assistance,
 please contact

Vancouver
sales@bocci.com
www.bocci.com

Berlin
europe@bocci.com
www.bocci.com

© 2020, Bocci Design and Manufacturing Inc. All rights reserved. Any inquiries should be directed to: info@bocci.com

BOCCI