

FUNCTION: standard barrel HDMI connection

MATERIALS: polycarbonate casing, electrical components, 15µm gold plated HDMI pins

CONFIGURATION: for use in all 22.2 mounting plates

INPUT / OUTPUT: ultra HD, 4k @50/60hz, Deep Colour, Dolby True HD, DTS-HD Master Audio

DESCRIPTION

The 22 system is a complete suite of interior surface accessories that challenge the traditional, tired and ubiquitous cover plate concept. The 22 is designed to "mud" directly into drywall without a visible cover plate or trim. Alternatively, it may be set flush into millwork, marble, glass or any other surface. 22 operative components include: power outlets, data & communication, telephone receptacles, cable and HDMI connectors, line voltage on/off switches, keypad controls, and USB.

APPLICATIONS

The 22.3.12 is a powered HDMI outlet electrical receptacle. The 22.3.12 can be inserted into any of the 22.2 series mounting plates.

NOTES

- + Mounting plates sold separately
- + Purchase additional components at www.bocci.com/shop/22

Worldwide utility patents pending
US Patent # 7,956,295 B2 & 8,912,439 B2

Made in Vancouver, Canada

Vancouver
sales@bocci.com
www.bocci.com

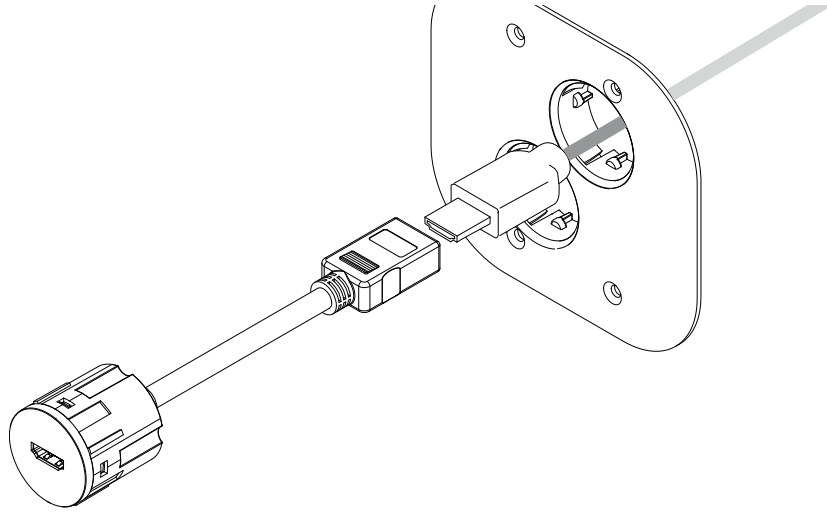
Berlin
europe@bocci.com
www.bocci.com



HDMI

22.3.12

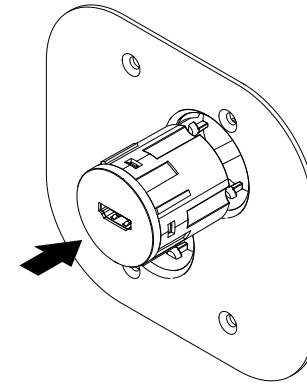
Design by Omer Arbel
PRODUCT SPECIFICATION



1

Connect HDMI male and female connectors.

Test the connections on both ends are working properly before inserting the component into the mounting plate.



2

Insert the operative component into the mounting plate

Refer to the 22.2 mounting plate installation instructions for more details.

Best practice statement: For ease of future access or maintenance, we recommend a single incoming wire to the junction box (no J-box splices) immediately behind the 22 receptacles.

HDMI

22.3.12

Design by Omer Arbel
PRODUCT INSTALLATION INSTRUCTIONS



Worldwide utility patents pending
US Patent # 7,956,295 B2 & 8,912,439 B2

Made in Vancouver, Canada

For additional assistance,
please contact

Vancouver
sales@bocci.com
www.bocci.com

Berlin
europe@bocci.com
www.bocci.com

© 2020, Bocci Design and Manufacturing Inc. All rights reserved. Any inquiries should be directed to: info@bocci.com

BOCCI