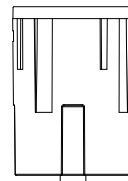
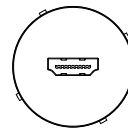
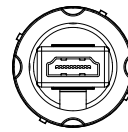
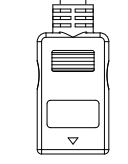


35 (1.38")



48.2
(1.9")



FUNCTION: medium barrel HDMI connection
 MATERIALS: polycarbonate casing, electrical components, 15µm gold plated HDMI pins
 CONFIGURATION: for use in all 22.2 alternate mounting plates
 INPUT / OUTPUT: ultra HD, 4k @50/60hz, Deep Colour, Dolby True HD, DTS-HD Master Audio

DESCRIPTION

The 22 system is a complete suite of interior surface accessories that challenge the traditional, tired and ubiquitous cover plate concept. The 22 is designed to "mud" directly into drywall without a visible cover plate or trim. Alternatively, it may be set flush into millwork, marble, glass or any other surface. 22 operative components include: power outlets, data & communication, telephone receptacles, cable and HDMI connectors, line voltage on/off switches, keypad controls, and USB.

APPLICATIONS

The 22.3.12M is a powered HDMI outlet electrical receptacle. The 22.3.12M can be inserted into any of the 22.2 series alternate mounting plates. The suffix "M" refers to the extended barrel length for use with thick finish materials.

NOTES

- + Mounting plates sold separately
- + Purchase additional components at www.bocci.com/shop/22

Worldwide utility patents pending
 US Patent # 7,956,295 B2 & 8,912,439 B2

Made in Vancouver, Canada

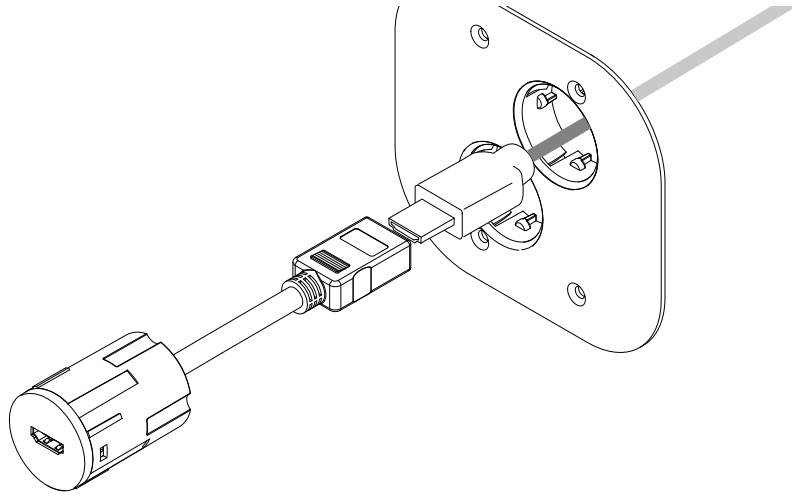
Vancouver
sales@bocci.com
www.bocci.com

Berlin
europa@bocci.com
www.bocci.com



HDMI - MEDIUM BARREL
22.3.12M Design by Omer Arbel
 PRODUCT SPECIFICATION

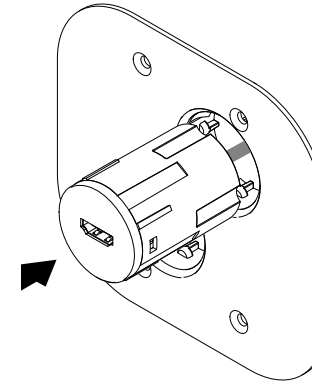




1

Connect HDMI male and female connectors.

Test the connections on both ends are working properly before inserting the component into the mounting plate.



2

Insert the operative component into the mounting plate

Refer to the 22.2 mounting plate installation instructions for more details.

Best practice statement: For ease of future access or maintenance, we recommend a single incoming wire to the junction box (no J-box splices) immediately behind the 22 receptacles.

HDMI - MEDIUM BARREL

22.3.12M

Design by Omer Arbel
PRODUCT INSTALLATION INSTRUCTIONS



Worldwide utility patents pending
US Patent # 7,956,295 B2 & 8,912,439 B2

Made in Vancouver, Canada

For additional assistance,
please contact

Vancouver
sales@bocci.com
www.bocci.com

Berlin
europe@bocci.com
www.bocci.com

© 2020, Bocci Design and Manufacturing Inc. All rights reserved. Any inquiries should be directed to: info@bocci.com

BOCCI