

FUNCTION: long barrel HDMI connection

MATERIALS: polycarbonate casing, electrical components, 15µm gold plated HDMI pins

CONFIGURATION: for use in all 22.2 alternate mounting plates

INPUT / OUTPUT: ultra HD, 4k @50/60hz, Deep Colour, Dolby True HD, DTS-HD Master Audio

#### DESCRIPTION

The 22 system is a complete suite of interior surface accessories that challenge the traditional, tired and ubiquitous cover plate concept. The 22 is designed to "mud" directly into drywall without a visible cover plate or trim. Alternatively, it may be set flush into millwork, marble, glass or any other surface. 22 operative components include: power outlets, data & communication, telephone receptacles, cable and HDMI connectors, line voltage on/off switches, keypad controls, and USB.

#### APPLICATIONS

The 22.3.12L is a powered HDMI outlet electrical receptacle. The 22.3.12L can be inserted into any of the 22.2 series alternate mounting plates. The suffix "L" refers to the extended barrel length for use with thick finish materials.

#### NOTES

- + Mounting plates sold separately
- + Purchase additional components at [www.bocci.com/shop/22](http://www.bocci.com/shop/22)

Worldwide utility patents pending  
US Patent # 7,956,295 B2 & 8,912,439 B2

Made in Vancouver, Canada

Vancouver  
sales@bocci.com  
www.bocci.com

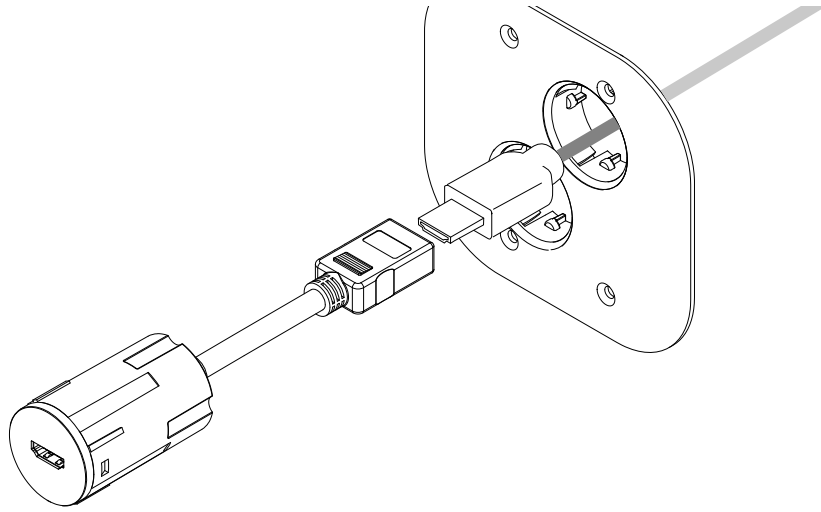
Berlin  
europe@bocci.com  
www.bocci.com



HDMI - LONG BARREL

# 22.3.12L

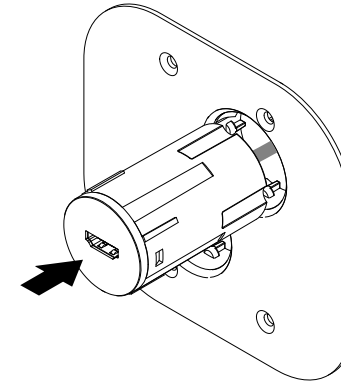
Design by Omer Arbel  
PRODUCT SPECIFICATION



1

Connect HDMI male and female connectors.

Test the connections on both ends are working properly before inserting the component into the mounting plate.



2

Insert the operative component into the mounting plate

Refer to the 22.2 mounting plate installation instructions for more details.

**Best practice statement: For ease of future access or maintenance, we recommend a single incoming wire to the junction box (no J-box splices) immediately behind the 22 receptacles.**

HDMI - LONG BARREL

# 22.3.12L

Design by Omer Arbel  
PRODUCT INSTALLATION INSTRUCTIONS



Worldwide utility patents pending  
US Patent # 7,956,295 B2 & 8,912,439 B2

Made in Vancouver, Canada

For additional assistance,  
please contact

Vancouver  
sales@bocci.com  
www.bocci.com

Berlin  
europe@bocci.com  
www.bocci.com

© 2020, Bocci Design and Manufacturing Inc. All rights reserved. Any inquiries should be directed to: info@bocci.com

# BOCCI