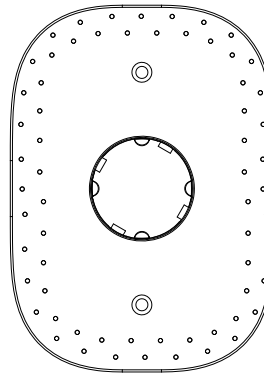


36.5 (1.44')



83
(3.3')

131
(5')

94 (3.7')



19.4
(0.75')

RECEPTACLES: one
 INSTALLATION: mud-in
 MATERIALS: polycarbonate
 CONFIGURATION: single component

DESCRIPTION

The 22 system is a complete suite of interior surface accessories that challenge the traditional, tired and ubiquitous cover plate concept. The 22 is designed to "mud" directly into drywall without a visible cover plate or trim. Alternatively, it may be set flush into millwork, marble, glass or any other surface. 22 operative components include: power outlets, data & communication, telephone receptacles, cable and HDMI connectors, line voltage on/off switches, keypad controls, and USB.

APPLICATIONS

The 22.2.1 is designed to be used in drywall surfaces. The 22.2.1 will accept any of the 22.3 operative components.

NOTES

- + For use with a standard depth junction box.
- + The 22 system is a departure from conventional cover plate systems, and requires precise and skilled craftsmanship during installation. If you have never installed a 22, Bocci recommends a practice installation.
- + Purchase additional components at www.bocci.com/shop/22
- + Please see our installation films on www.bocci.com/22-series/22-dry-wall

Worldwide utility patents pending
 US Patent # 7,956,295 B2 & 8,912,439 B2

Made in Vancouver, Canada

Vancouver
sales@bocci.com
www.bocci.com

Berlin
europe@bocci.com
www.bocci.com



BOCCI

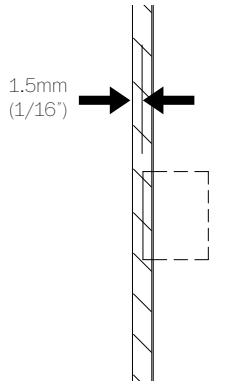
SINGLE DRYWALL MOUNTING PLATE

22.2.1 Design by Omer Arbel
 PRODUCT SPECIFICATION

1

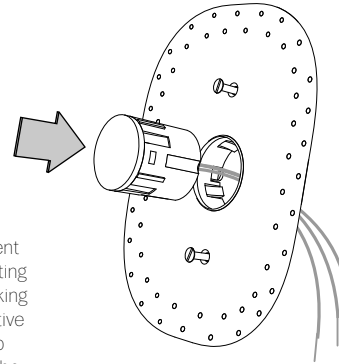
For optimum strength, make sure the back of the mounting plate meets the junction box (the surface of the junction box must be approx. 1.5mm (1/16") back from face of drywall). If there is no direct contact between the back of the mounting plate and the junction box, the system will perform but not at its peak strength.

The junction box used must be min. 54mm (2.125") deep (shallow box will not fit the depth of the component).



2

Insert the operative component into the opening in the mounting plate. Ensure that all four locking tabs are engaged. The operative component comes with a two layer protective cap. This will be used in further steps to mask the component during the "mudding in" process. Leave the cap in place as you insert the component into the mounting plate.

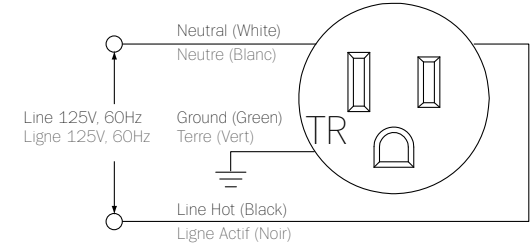


3

Connect the wires according to the wiring diagram below using appropriately sized marettes. For alternate components, please see specific installation sheets for wiring instructions.

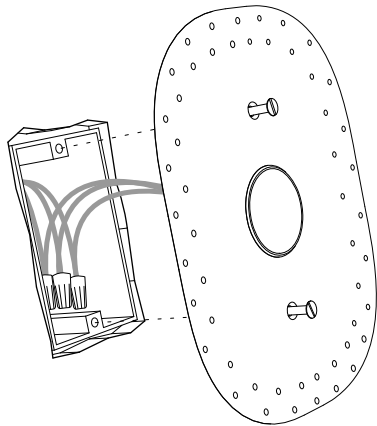
NOTE: 22 tamper-resistant receptacles use 14GA (2.08mm) wire for 15A output and 12GA (2.63mm) wire for 20A output.

Best practice statement: For ease of future access or maintenance, we recommend a single incoming wire to the junction box (no J-box splices) immediately behind the 22 receptacles.



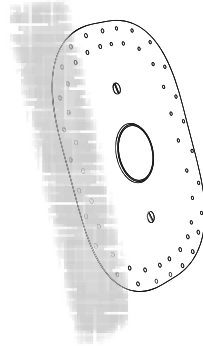
4

Fasten the mounting plate to the junction box using the screws provided.



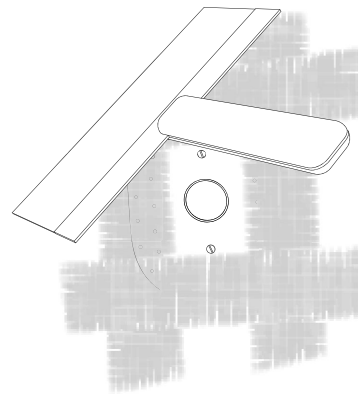
5

Tape the mounting plate edges with fiber mesh drywall tape

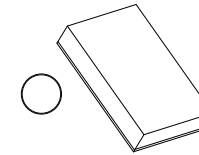


6

Use a drywall filler compound to "mud over" the entire assembly - feather from the center of the mounting plate outwards using a large drywall trowel.



7



Using a foam sanding block, sand entire area until the rim and the protective cap of the operative component are exposed. For long term performance, it is essential that mud is sanded right down to the plastic rim.

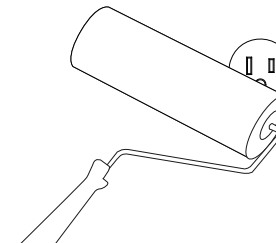
8



Partially peel back paper face of protective cap ensuring silicon layer remains snugly in place around operative component. This will allow you to locate the component after painting.

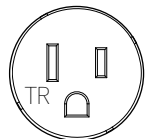
9

Paint over entire assembly.



10

Once dry, peel entire paper face. A tab in the silicon layer of the protective cap will be exposed under the paper - this will allow you to remove the silicon layer and expose the operative component.



SINGLE DRYWALL MOUNTING PLATE

22.2.1

Design by Omer Arbel
PRODUCT INSTALLATION INSTRUCTIONS



For additional assistance,
please contact

Vancouver
sales@bocci.com
www.bocci.com

Berlin
europe@bocci.com
www.bocci.com

© 2020, Bocci Design and Manufacturing Inc. All rights reserved. Any inquiries should be directed to: info@bocci.com

BOCCI