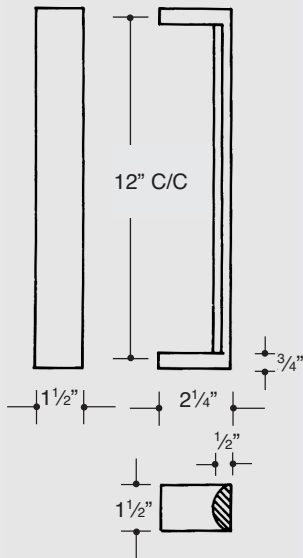


Door Pulls

CBH 300 12" PULL



MOUNTING: 1, 3 OR 5.
 #1 MTG $\frac{5}{16}$ -18 NC
 #3 MTG $\frac{5}{16}$ -18 NC
 #5 MTG DOVETAIL MTG

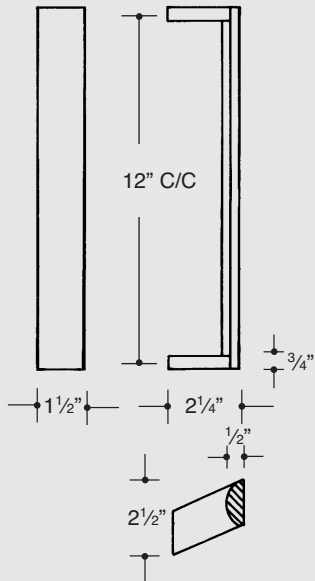


MATERIAL: BRASS, BRONZE AND STAINLESS STEEL
FINISHES: ALL STANDARD

CBH 305 12" PULL



MOUNTING: 1, 3 OR 5.
 #1 MTG $\frac{5}{16}$ -18 NC
 #3 MTG $\frac{5}{16}$ -18 NC
 #5 MTG DOVETAIL MTG

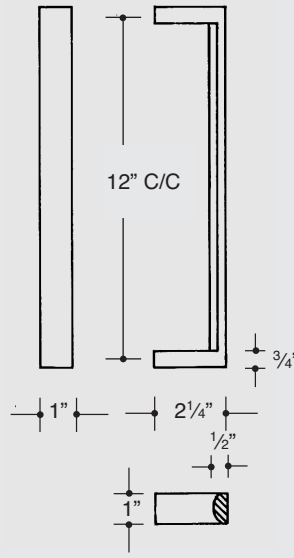


MATERIAL: BRASS, BRONZE AND STAINLESS STEEL
FINISHES: ALL STANDARD

CBH 310 12" PULL



MOUNTING: 1 OR 3.
 #1 MTG $\frac{1}{4}$ -20 NC
 #3 MTG $\frac{5}{16}$ -18 NC

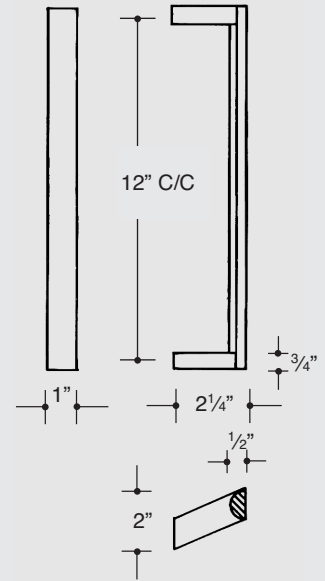


MATERIAL: BRASS, BRONZE AND STAINLESS STEEL
FINISHES: ALL STANDARD

CBH 315 12" PULL



MOUNTING: 1 OR 3.
 #1 MTG $\frac{1}{4}$ -20 NC
 #3 MTG $\frac{5}{16}$ -18 NC



MATERIAL: BRASS, BRONZE AND STAINLESS STEEL
FINISHES: ALL STANDARD

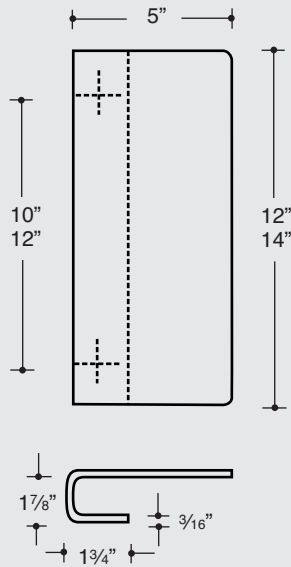


Door Pulls

CBH 325 12" PULL O/A
CBH 326 14" PULL O/A



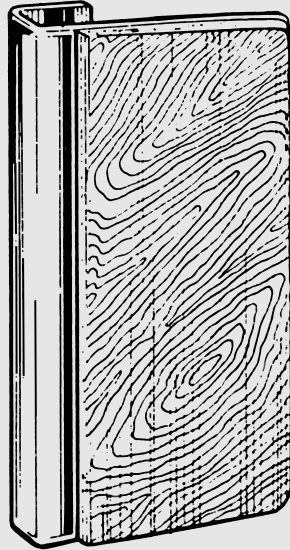
MOUNTING: 1 OR 2
#1 MTG. $\frac{5}{16}$ - 18 NC
#2 MTG. M.S. WITH SEX NUTS



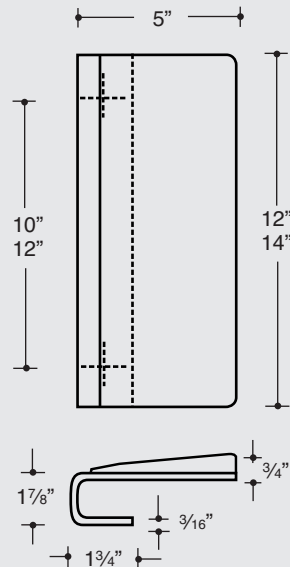
MATERIAL: BRASS, BRONZE, ALUMINUM AND STAINLESS STEEL
FINISHES: ALL STANDARD

CBH 330 12" PULL O/A
CBH 331 14" PULL O/A

WITH WOOD FACEPLATE
TEAK, WALNUT, MAHOGANY,
OAK, OR BIRCH (SANDED
ONLY, FINAL FINISH BY
OTHERS)



MOUNTING: 1 OR 2
#1 MTG. $\frac{5}{16}$ - 18 NC
#2 MTG. M.S. WITH SEX NUTS

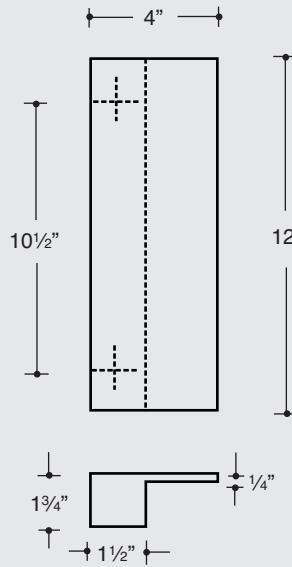


MATERIAL: BRASS, BRONZE ALUMINUM AND STAINLESS STEEL
FINISHES: ALL STANDARD

CBH 385 12" PULL O/A



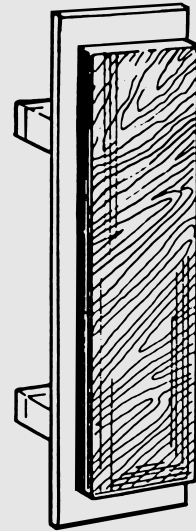
MOUNTING: 1 OR 3
#1 MTG. $\frac{5}{16}$ - 18 NC
#3 MTG. $\frac{3}{8}$ - 16 NC



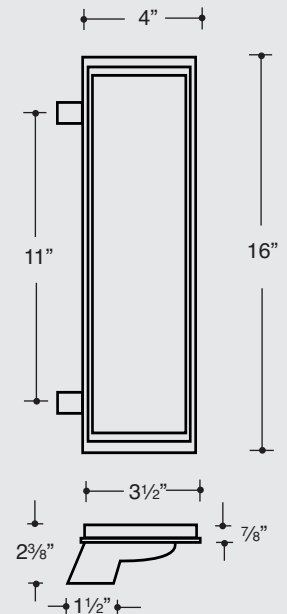
MATERIAL: CAST BRASS, CAST BRONZE OR STAINLESS STEEL
FINISHES: ALL STANDARD

CBH 386 16" PULL O/A

WITH WOOD FACEPLATE
TEAK, WALNUT, MAHOGANY,
OAK, OR BIRCH (SANDED
ONLY, FINAL FINISH BY
OTHERS)



MOUNTING: 1, 3 OR 5
#1 MTG. $\frac{5}{16}$ - 18 NC
#3 MTG. $\frac{3}{8}$ - 16 NC
#5 MTG. DOVETAIL MTG.



MATERIAL: BRASS, BRONZE, ALUMINUM AND STAINLESS STEEL
FINISHES: ALL STANDARD

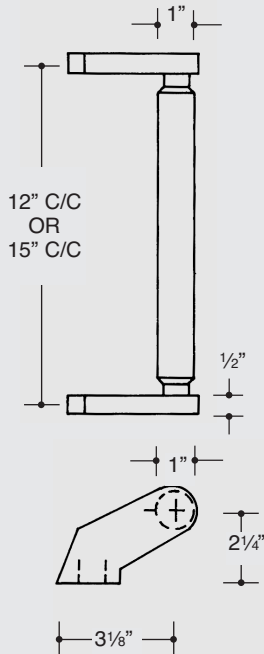
Door Pulls

CBH 390
CBH 391

12" PULL
15" PULL



MOUNTING: 1, 3 OR 5.
#1 MTG 5/16-18 NC
#3 MTG 5/16-18 NC
#5 MTG DOVETAIL MTG. (SHOWN)



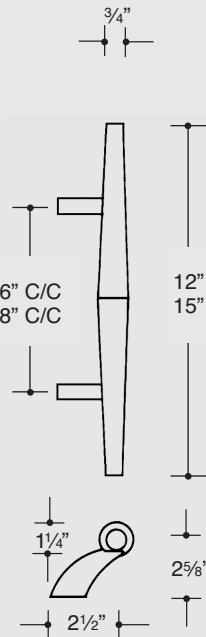
MATERIAL: BRASS, BRONZE, ALUMINUM AND STAINLESS STEEL.
FINISHES: ALL STANDARD. BRACKETS C15 FOR STAINLESS STEEL

CBH 395
CBH 396

6" PULL
8" PULL



MOUNTING: 1, 3 OR 5.
#1 MTG 1/4-20 NC
#3 MTG 5/16-18 NC
#5 MTG DOVETAIL MTG (SHOWN)



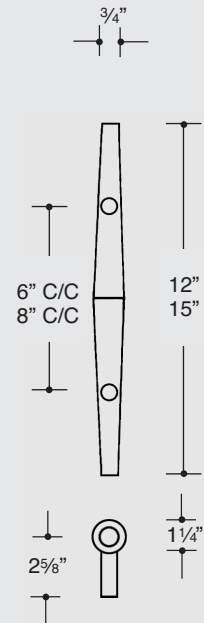
MATERIAL: BRASS, BRONZE, ALUMINUM AND STAINLESS STEEL.
FINISHES: ALL STANDARD. BRACKETS C15 FOR STAINLESS STEEL

CBH 397
CBH 398

6" PULL
8" PULL



MOUNTING: 1 OR 3
#1 MTG 1/4-20 NC
#3 MTG 5/16-18 NC



MATERIAL: BRASS, BRONZE, ALUMINUM AND STAINLESS STEEL.
FINISHES: ALL STANDARD

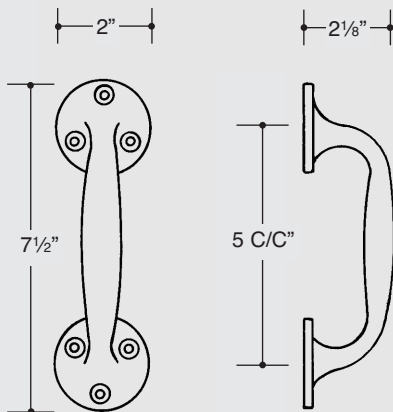


Door Pulls

CBH 400 5" PULL



MOUNTING: 1 OR 4.
 #1 MTG 1/4-20 NC
 #4 MTG #8 x 1" W.S. STANDARD

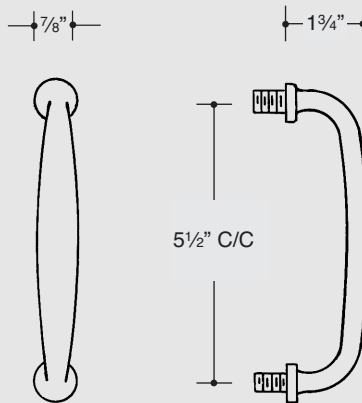


MATERIAL: CAST BRASS, BRONZE AND ALUMINUM.
FINISHES: ALL STANDARD

CBH 405 5 1/2" PULL

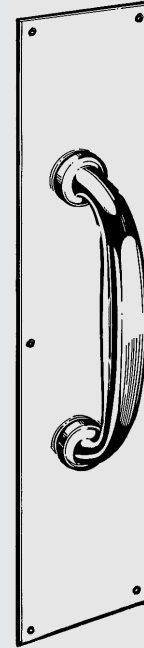


MOUNTING: 1
 #1 MTG 10-24 NC



MATERIAL: CAST BRASS, BRONZE AND ALUMINUM.
FINISHES: ALL STANDARD

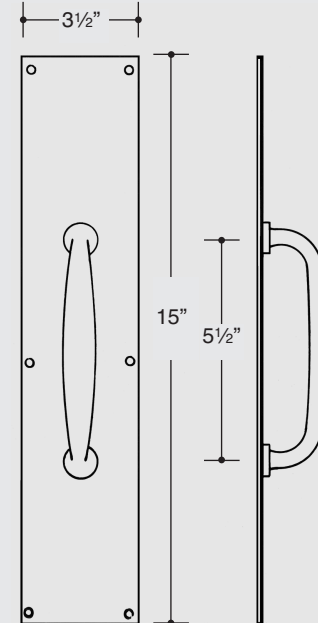
CBH 406 5 1/2" PULL / PLATE



.050 GAUGE PLATES WILL BE SUPPLIED STANDARD, FOR THICKER PLATES USE SUFFIX
B 1/8 .125
C 3/16 .187
D 1/4 .250

EXAMPLE:
 CBH 406B = 405 x 3 1/2" x 15" x .125

MOUNTING: 1 OR 4.
 #1 MTG 10-24 NC
 #4 MTG #8 x 1" W.S. STANDARD



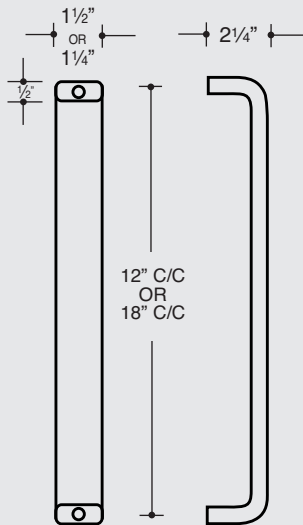
MATERIAL: CAST BRASS, BRONZE AND ALUMINUM.
FINISHES: ALL STANDARD. FOR STAINLESS STEEL PLATES A C15 HANDLE WILL BE SUPPLIED.

Door Pulls

CBH 1240 12" PULL
CBH 1241 18" PULL



MOUNTING: 1 OR 3
 # 1 MTG 5/16 - 18 NC.
 # 3 MTG 5/16 - 18 NC.

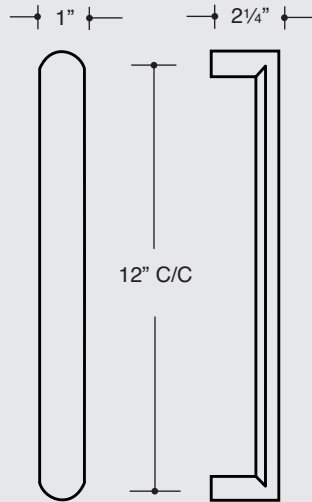


MATERIAL: 1 1/2" BRASS OR 1 1/4" ALUMINUM
FINISHES: ALL STANDARD

CBH 1266 12" PULL

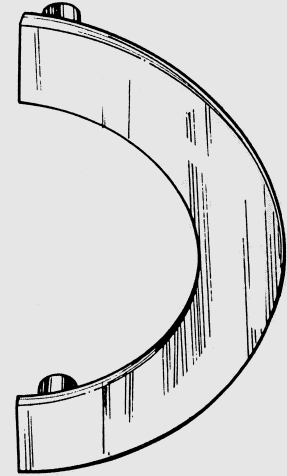


MOUNTING: 1, 3 OR 6
 # 1 MTG 5/16 - 18 NC.
 # 3 MTG 3/8 - 16 NC.
 # 6 MTG 3/8 - 16 NC.

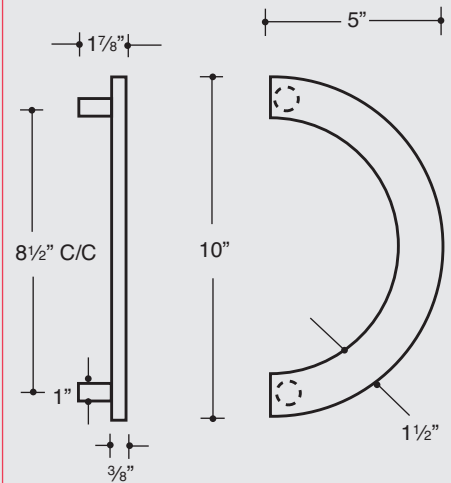


MATERIAL: BRASS, BRONZE, AND STAINLESS STEEL
FINISHES: ALL STANDARD

CBH 1270 10" PULL O/A.



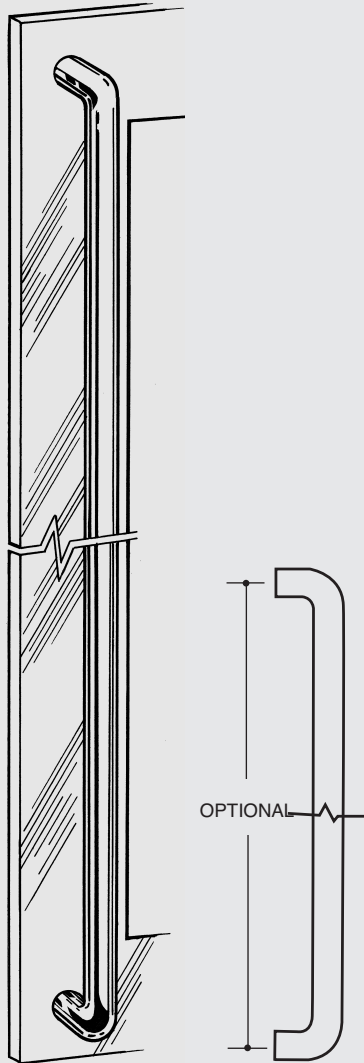
MOUNTING: 1, 3 OR 6
 # 1 MTG 5/16 - 18 NC.
 # 3 MTG 3/8 - 16 NC.
 # 6 MTG 3/8 - 16 NC.



MATERIAL: BRASS, BRONZE, AND ALUMINUM
FINISHES: ALL STANDARD

Door Pulls

CBH 6000 CUSTOM LENGTH
SPECIFY DIAMETER & CENTRES

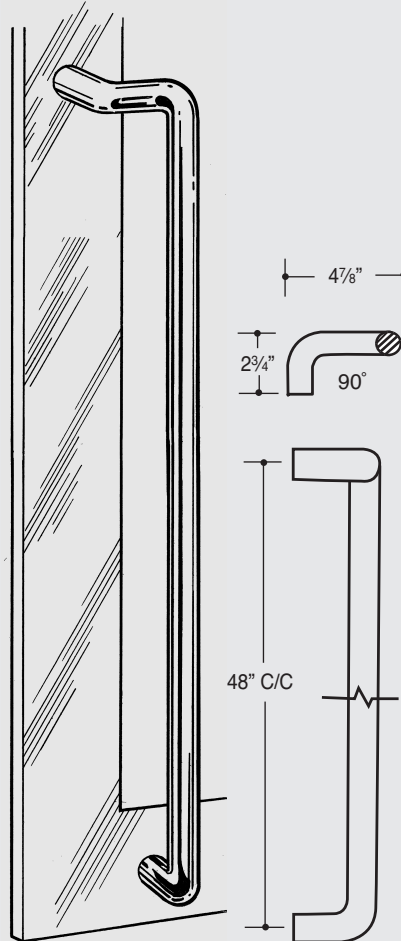


MOUNTING: 1,3 OR 6
1 MTG : 5/16 - 18 NC.
3 MTG : 5/16 - 18 NC.
3 MTG : FOR 1" DIA AND ABOVE 3/8 - 16 NC.
6 MTG : 3/8 - 16 NC.

MATERIAL: 3/4", 1" OR 1 1/4"
DIAMETER BRASS,
BRONZE, ALUMINUM
AND STAINLESS STEEL
OR 1 1/2" DIA.
STAINLESS STEEL.

FINISHES: ALL STANDARD

CBH 6010 48" PULL



RHRB

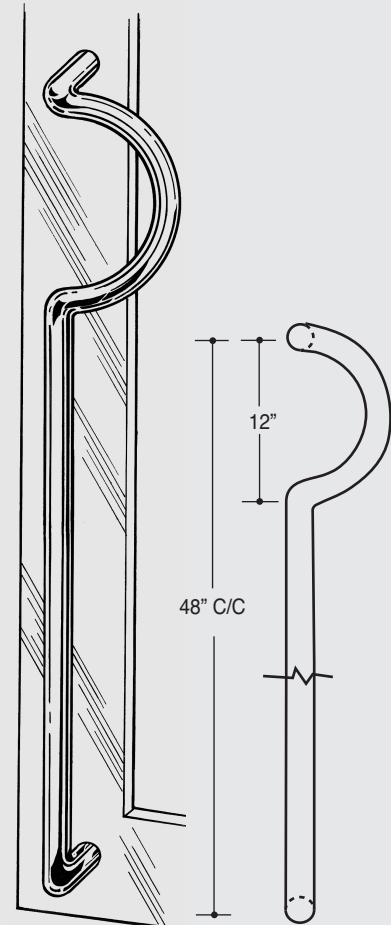
MOUNTING: 1,3 OR 6
1 MTG : 5/16 - 18 NC.
3 MTG : 3/8 - 16 NC.
6 MTG : 3/8 - 16 NC.

MATERIAL:

1" BRASS, BRONZE,
ALUMINUM AND
STAINLESS STEEL.

FINISHES: ALL STANDARD

CBH 6020 48" PULL



RHRB

MOUNTING: 1,3 OR 6
1 MTG : 5/16 - 18 NC.
3 MTG : 3/8 - 16 NC.
6 MTG : 3/8 - 16 NC.

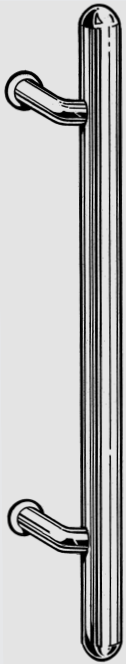
1" BRASS, BRONZE,
ALUMINUM AND
STAINLESS STEEL.

FINISHES: ALL STANDARD

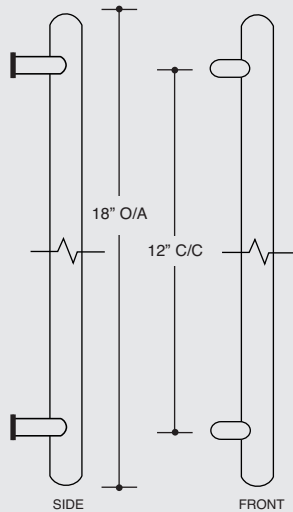
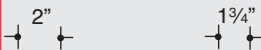


Door Pulls

CBH 6028 12" PULL



MOUNTING: 1, 3 OR 6.
 #1 MTG $\frac{5}{16}$ - 18 NC
 #3 MTG $\frac{5}{16}$ - 18 NC (1"Ø)
 or $\frac{3}{8}$ - 16 NC (1¼"Ø)
 #6 MTG $\frac{3}{8}$ - 16 NC

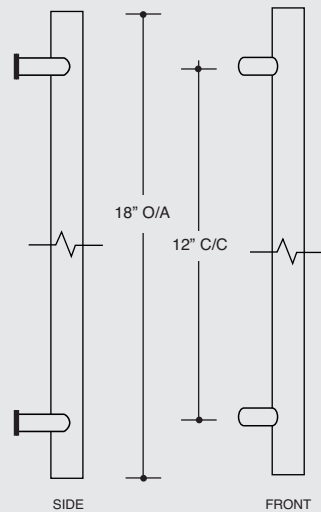
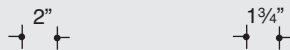


MATERIAL: 1" OR 1¼" DIAMETER BRASS, BRONZE, ALUMINUM AND STAINLESS STEEL
FINISHES: ALL STANDARD

CBH 6029 12" PULL



MOUNTING: 1, 3 OR 6.
 #1 MTG $\frac{5}{16}$ - 18 NC
 #3 MTG $\frac{5}{16}$ - 18 NC (1"Ø)
 or $\frac{3}{8}$ - 16 NC (1¼"Ø)
 #6 MTG $\frac{3}{8}$ - 16 NC

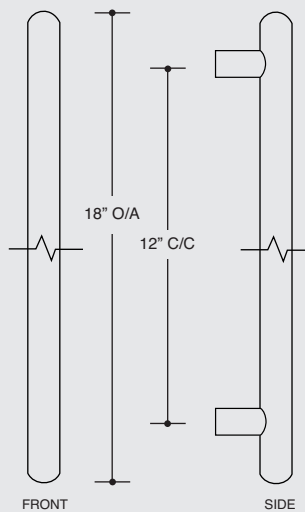


MATERIAL: 1" OR 1¼" DIAMETER BRASS, BRONZE, ALUMINUM AND STAINLESS STEEL
FINISHES: ALL STANDARD

CBH 6030 12" PULL



MOUNTING: 1, 3 OR 6.
 #1 MTG $\frac{5}{16}$ - 18 NC
 #3 MTG $\frac{3}{8}$ - 16 NC
 #6 MTG $\frac{3}{8}$ - 16 NC

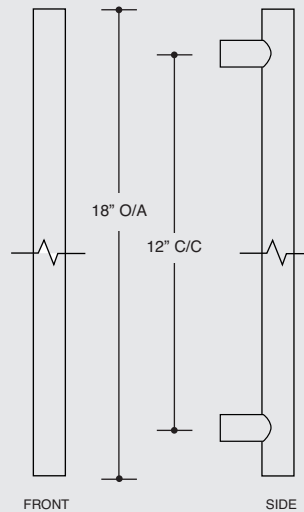


MATERIAL: 1" OR 1¼" DIAMETER BRASS, BRONZE, ALUMINUM AND STAINLESS STEEL
FINISHES: ALL STANDARD

CBH 6031 12" PULL



MOUNTING: 1, 3 OR 6.
 #1 MTG $\frac{5}{16}$ - 18 NC
 #3 MTG $\frac{3}{8}$ - 16 NC
 #6 MTG $\frac{3}{8}$ - 16 NC



MATERIAL: 1" OR 1¼" DIAMETER BRASS, BRONZE, ALUMINUM AND STAINLESS STEEL
FINISHES: ALL STANDARD



Door Pulls

CBH 6038

CUSTOM LENGTH OFFSET
ROUND ENDS. SPECIFY
DIAMETER, OVERALL &
CENTER TO CENTER SIZE.



MOUNTING: 1, 3 OR 6.
#1 MTG $\frac{5}{16}$ - 18 NC
#3 MTG $\frac{5}{16}$ - 18 NC (1"Ø)
or $\frac{3}{8}$ - 16 NC (1 1/4"Ø)
#6 MTG $\frac{3}{8}$ - 16 NC

MATERIAL: 1 OR 1 1/4 DIAMETER
BRASS, BRONZE,
ALUMINUM AND
STAINLESS STEEL
AND 1 1/2 DIA
STAINLESS STEEL

FINISHES: ALL STANDARD

CBH 6039

CUSTOM LENGTH OFFSET
FLAT ENDS. SPECIFY
DIAMETER, OVERALL &
CENTER TO CENTER SIZE.



MOUNTING: 1, 3 OR 6.
#1 MTG $\frac{5}{16}$ - 18 NC
#3 MTG $\frac{5}{16}$ - 18 NC (1"Ø)
or $\frac{3}{8}$ - 16 NC (1 1/4"Ø)
#6 MTG $\frac{3}{8}$ - 16 NC

MATERIAL: 1 OR 1 1/4 DIAMETER
BRASS, BRONZE,
ALUMINUM AND
STAINLESS STEEL AND
1 1/2 DIA STAINLESS
STEEL

FINISHES: ALL STANDARD

CBH 6040

CUSTOM LENGTH
ROUND ENDS. SPECIFY
DIAMETER, OVERALL &
CENTER TO CENTER SIZE.



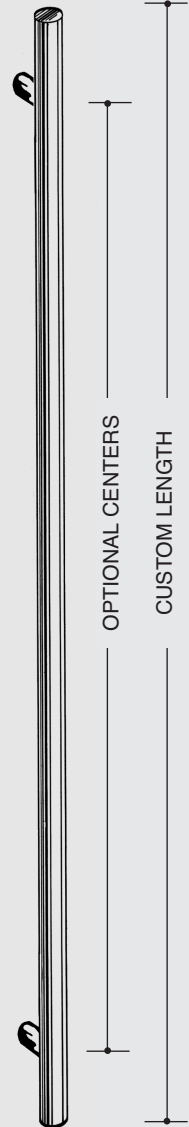
MOUNTING: 1, 3 OR 6.
#1 MTG $\frac{5}{16}$ - 18 NC
#3 MTG $\frac{3}{8}$ - 16 NC
#6 MTG $\frac{3}{8}$ - 16 NC

MATERIAL: 1 OR 1 1/4 DIAMETER
BRASS, BRONZE,
ALUMINUM AND
STAINLESS STEEL AND
1 1/2 DIA STAINLESS
STEEL

FINISHES: ALL STANDARD

CBH 6041

CUSTOM LENGTH
FLAT ENDS. SPECIFY
DIAMETER, OVERALL &
CENTER TO CENTER SIZE.



MOUNTING: 1, 3 OR 6.
#1 MTG $\frac{5}{16}$ - 18 NC
#3 MTG $\frac{3}{8}$ - 16 NC
#6 MTG $\frac{3}{8}$ - 16 NC

MATERIAL: 1 OR 1 1/4 DIAMETER
BRASS, BRONZE,
ALUMINUM AND
STAINLESS STEEL AND
1 1/2 DIA STAINLESS
STEEL

FINISHES: ALL STANDARD