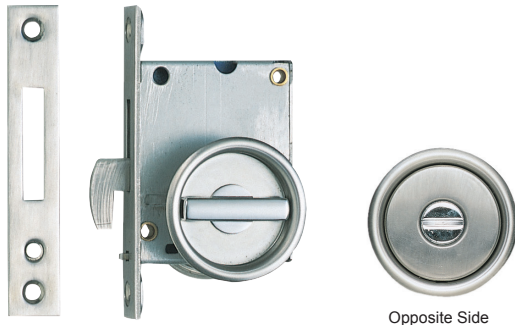


SLIDING DOOR LATCH

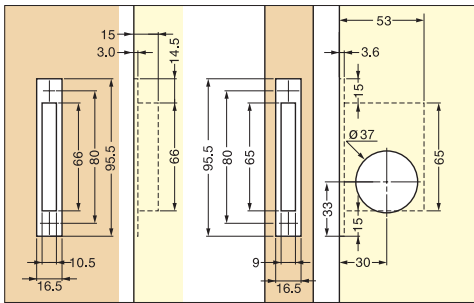
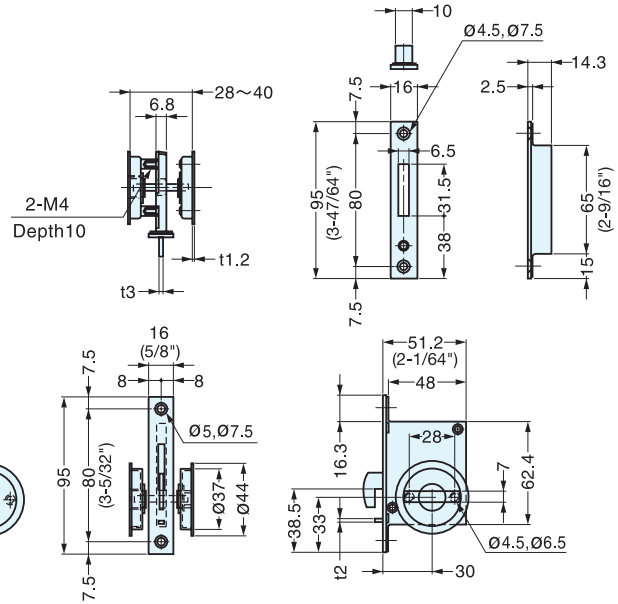


HC-30



Opposite Side

- Slim design suitable for various applications.
- Non-handed.
- For door thickness 28~48 mm (1-1/8"~1-9/16").
- For sliding doors only.



Bore Dimensions

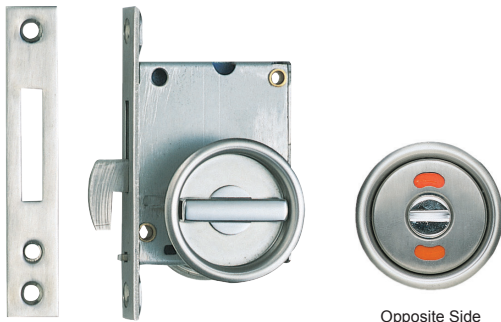
Item No.	Weight (g)	Box (pcs)	Carton (pcs)
HC-30	258	5	50

Material	Finish
304 Stainless Steel, Brass, Zinc Alloy	Satin

SLIDING DOOR LATCH (W/INDICATOR)

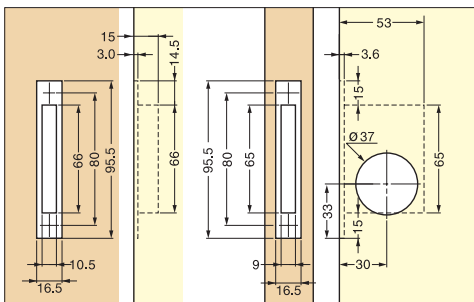
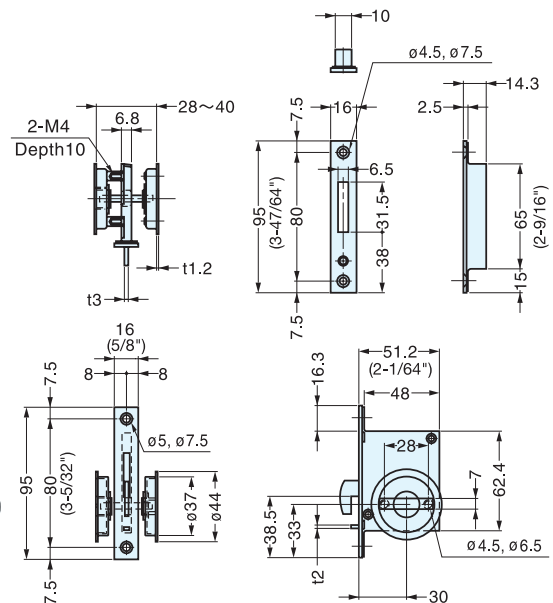


HC-30H



Opposite Side

- Door latch with indicator.
- Slim design suitable for various applications.
- Non-handed.
- For door thickness 28~48 mm (1-1/8"~1-9/16").
- For sliding doors only.



Bore Dimensions

Item No.	Weight (g)	Box (pcs)	Carton (pcs)
HC-30H	259	5	50

Material	Finish
304 Stainless Steel, Brass, Zinc Alloy	Satin