

LATERAL OPENING DOOR SYSTEM

LIN-X1000



- Lateral Opening Mechanism: Allows doors to swing out laterally in a small radius, ideal for tight front space application.
- Heavy Duty: Max. weight 198 lbs.
- 4-Way Adjustable: Vertical, horizontal, depth and parallel adjustment.
- Smooth Movement: Built-in dampers provide a smooth soft-closing movement.
- Use in various applications: Ideal for closet entryways, large pantry doors, storage, hidden rooms, etc.
- Hardware is non-handed: can be used for left- or right-opening doors.
- Designed for overlay installation, but can be installed flush with the surrounding cabinet or wall. Please contact customer service for details on inset installations.

Innovative design internationally recognized with the following awards:



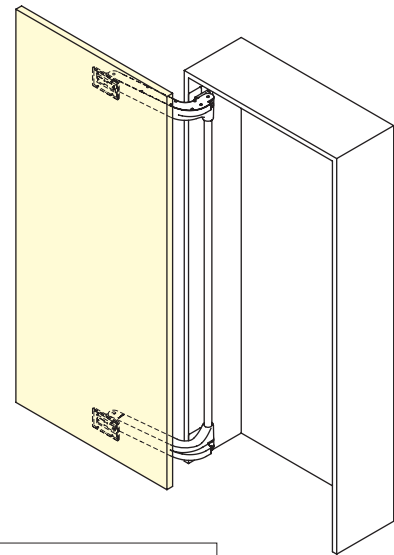
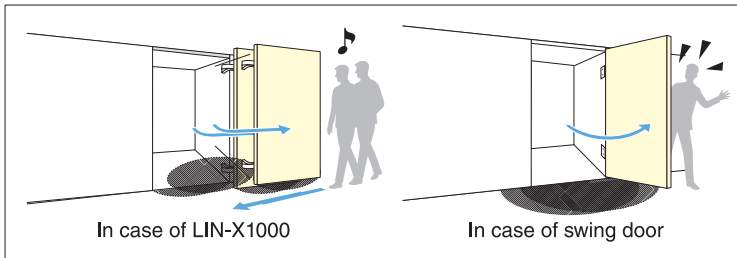
reddot award 2017
winner



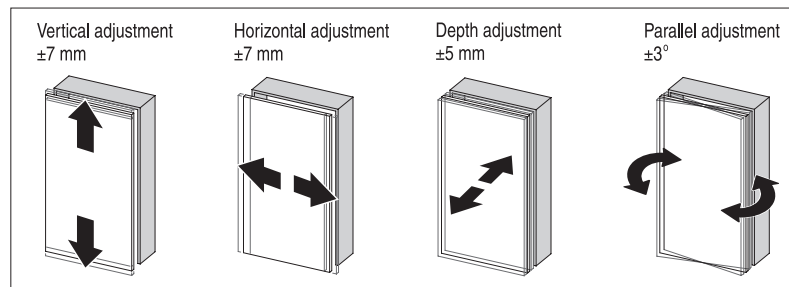
Item No.	Overlay	Material	Finish
LIN-X1000	19 mm (3/4")	Steel, Aluminum	White, Black

Door Width	29-1/2"~43-5/16" (750~1100 mm)
Max. Door Height	117-5/16" (2980 mm)
Door Thickness	15/16"~1-9/16" (24~40 mm)
Max. Door Weight	198 lbs (90 kg/door)

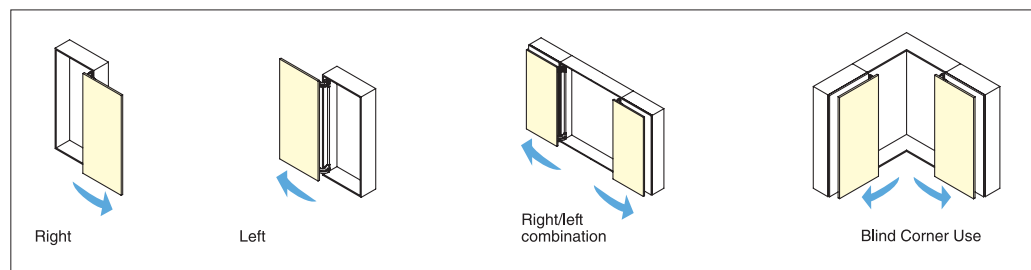
Minimize opening clearance required with LIN-X1000, compared to traditional swinging doors. When closed, the LIN-X door can be flush with the surrounding walls.



Installation Examples



Adjustability



Adjustable in vertical, horizontal, depth and parallel directions.