

Waste bin large w/ lid

Knud Holscher Collection

d line

PRODUCT DATA SHEET

ITEM NUMBER SURFACE
14.7097.02.210 Satin Stainless Steel

PRODUCT
Waste bin large w/ lid

PICTURE



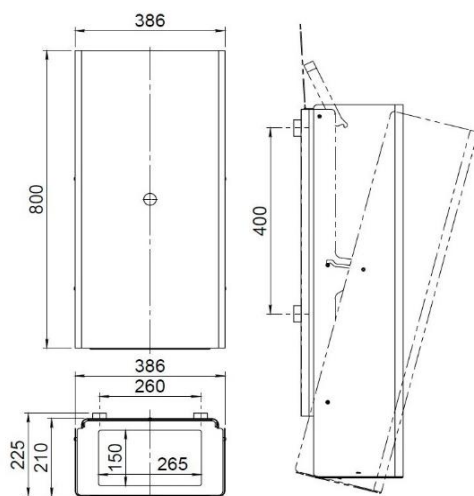
TENDER TEXT

d line waste bin wall mounted 60 l with lid. Outstanding classic danish design by Knud Holscher. The design is characterized by simplicity and functionality, and the minimalistic exterior hides advanced technic that ensures the products strength and durability for many years.
Material: 1,5 mm stainless steel AISI 316 satin finish.
Net weight: 12,6 kg. W:386 mm x H:800 mm x D:225 mm

PRODUCT SPECIFICATION

Volume 60 ltr
Warranty for stainless steel (non moveable) parts - 20 years

DRAWING



SPARE PARTS / ACCESSORIES:

P0000000454 - Ø4,5x70/plug 8x40,set a' 4 pcs
14983400362 - Drill template:waste bin,M/L
14709700003 - Plastic bags, 80 l 1 pack (included)
P0000007081 - Wall mount spacers, small (included)

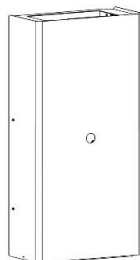
MOUNTING:

Ø4,5x70mm screws with plugs 8x40mm. Refer to drill template

PACKING:

1 pcs. per package

ISO-DRAWING



CERTIFICATES & AWARDS

PRODUCT CARE

d line products are produced in the highest quality stainless steel, marine grade, AISI 316. To sustain the unique d line finish appearance please follow the below instructions:

- Wash down the surfaces using soapy water or mild detergent
- Always thoroughly rinse off with clean water
- To complete the cleaning procedure dry/polish the surfaces with a soft dry cloth

Please do not use scouring powder, steel wool, chloride based detergents or other aggressive cleaning products as these may damage the surface.

If spots or corrosion appear on the surface it is not due to the stainless steel quality, but to impurities in the environment, aggressive conditions or improper or insufficient cleaning.