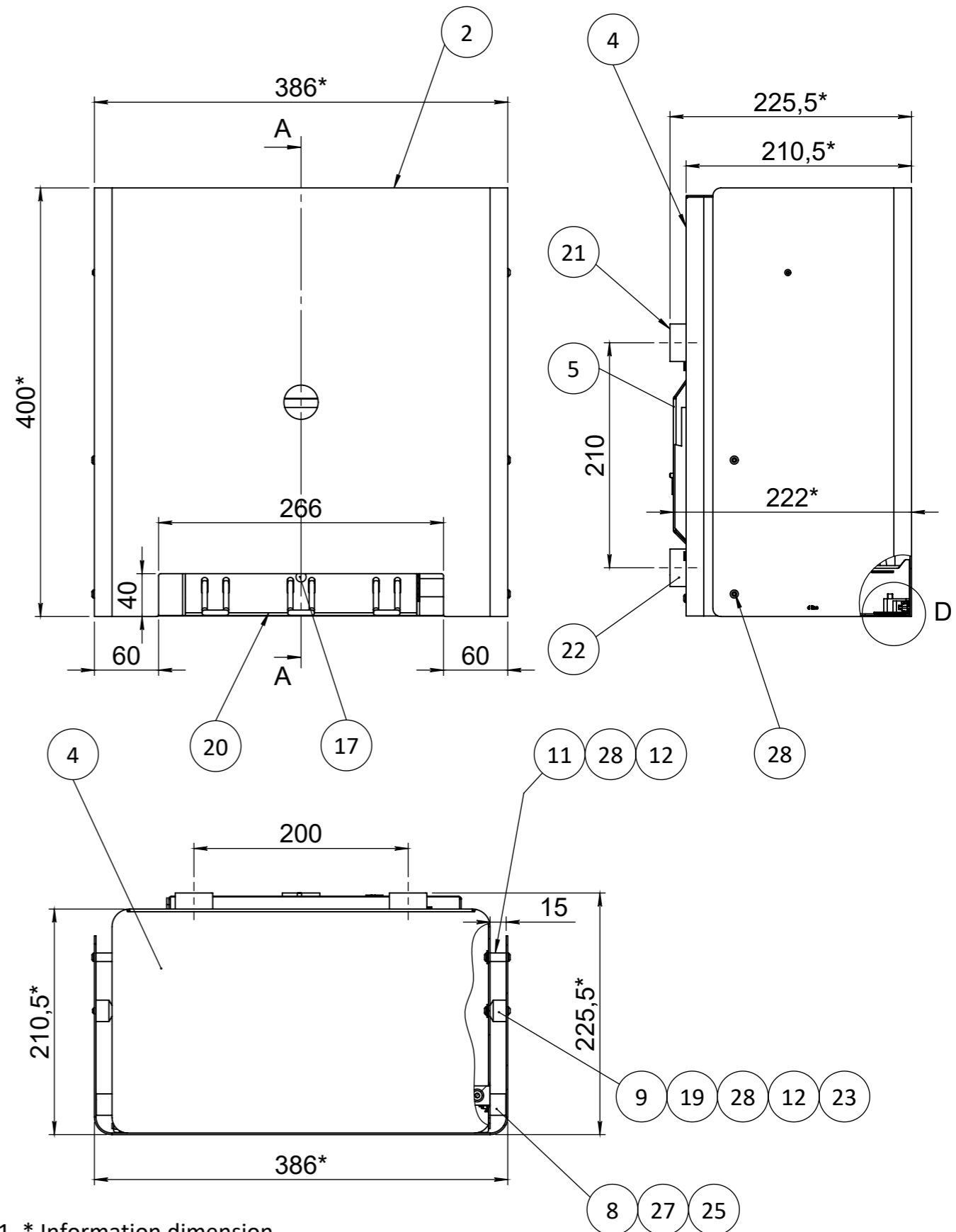
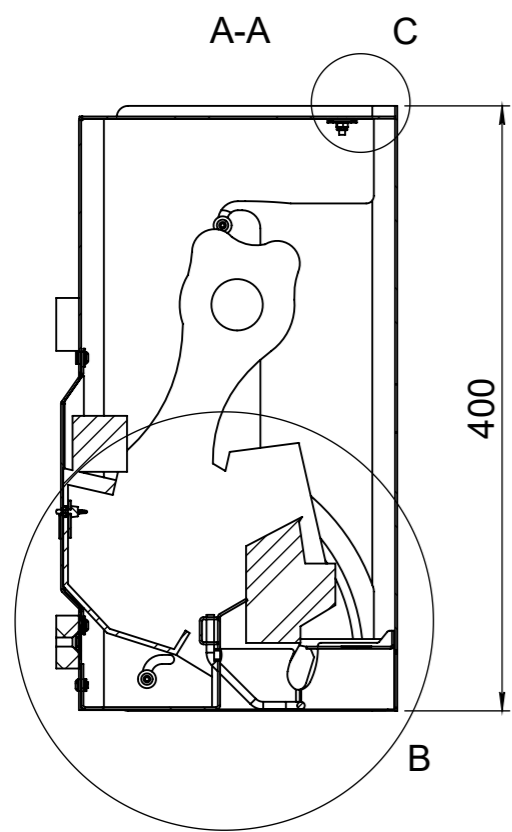


| Nom. | Part number | Description 1 | Description 2 | Qty. |
|------|----------------|---|---------------------------|------|
| 1 | A4.7081.00.000 | Drive mod, sensor XTS102073 f/ paper roll dispenser | f/ 14.7081.02.200 | 1 |
| 2 | D 7542 | Front cover | f/ 14.7081.02.200 | 1 |
| 3 | D 7543 | Lock edge | f/ 14.7081.02.200 | 1 |
| 4 | D 7544 | Back cover | f/ 14.7081.02.200 | 1 |
| 5 | D 7545 | Back lid | f/ 14.7081.02.200 | 1 |
| 6 | D 7553 | Switch spacer, POM | f/ 14.7081.02.200 | 1 |
| 7 | D 7555 | Switching plate | f/ 14.7081.02.200 | 1 |
| 8 | D 7556 | Lower spacer, POM | f/ 14.7081.02.200 | 2 |
| 9 | D 7557 | Upper spacer, POM | f/ 14.7081.02.200 | 2 |
| 10 | D 7558 | Grip | f/ 14.7081.02.200 | 1 |
| 11 | D 7559 | Threaded spacer, L15 | f/ 14.7081.02.200 | 4 |
| 12 | D 7560 | Washer DIN9021- 4.3, A4 | Large | 14 |
| 13 | D 7561 | Screw M3 x 8, ISO 7380, A4 | Hexagon socket head screw | 2 |
| 14 | D 7562 | Wing screw M4 x 10, DIN 316, A4 | | 1 |
| 15 | D 7563 | Cable bushing PGSA-1013A | Nylon 6/6, black | 1 |
| 16 | D 7564 | Washer DIN9021- 3.2, A4 | Large | 1 |
| 17 | D 7565 | Dummy covering PGM-8 | Nylon 6/6, black | 1 |
| 18 | D 7566 | Lock | - | 1 |
| 19 | D 7567 | Screw M4 x 12, ISO 7380, A4 | Hexagon socket head screw | 1 |
| 20 | D 7569 | Bottom cover, glass blasted | f/ 14.7081.02.200 | 1 |
| 21 | D 791 | Afstandsstykke til sanitet væg | hængt | 2 |
| 22 | D 806 | Afstandsstykke med tape | | 1 |
| 23 | D 1744 | Threaded peace | | 2 |
| 24 | D 7017 | welding screw, M4x10 | ISO 13918 | 3 |
| 25 | D 7032 | M4 nylon lock nut A4 | DIN 985 | 5 |
| 26 | D 7065 | Press in bolts M4 | | 5 |
| 27 | 9449000019 | Maskinskrue M4 x 25 mm | | 2 |
| 28 | 14.9701.02.187 | Head cap screw M4 x 6 mm | | 16 |

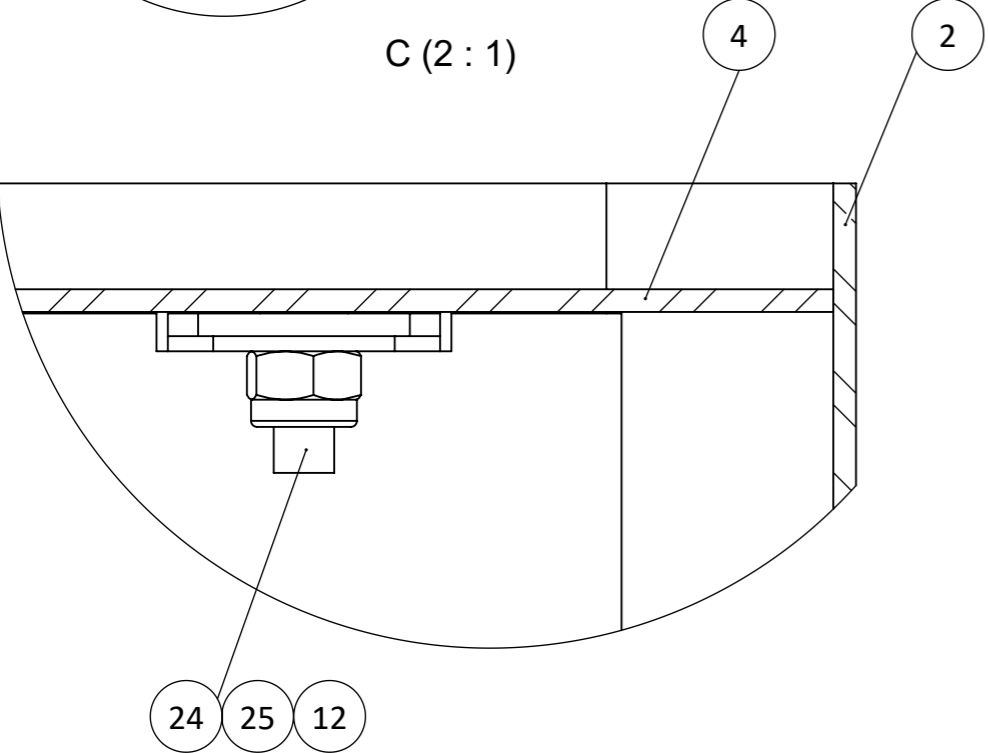


1. * Information dimension.

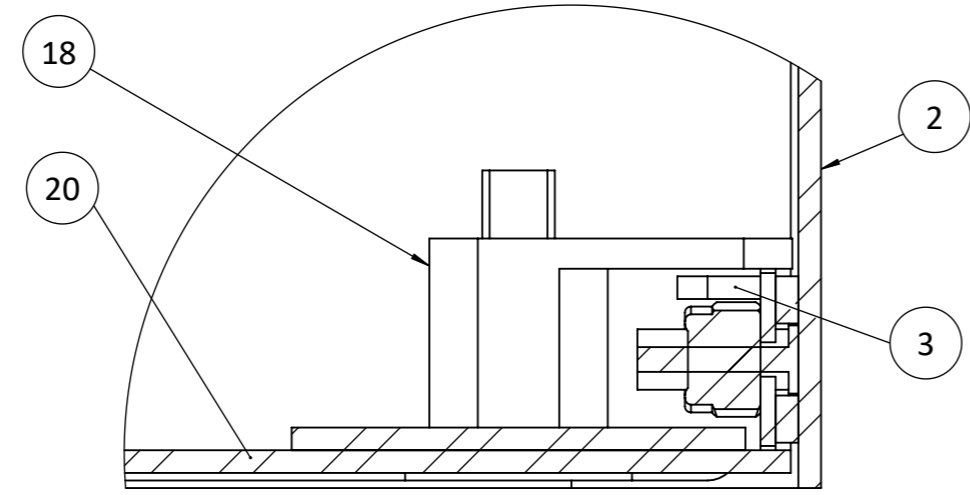
| | | | |
|--|--------------------------|------------------------------------|------------|
| Subject: Paper roll dispenser Touchless | | Mass: 9917.28 g | Scale: 1:5 |
| Category: Sanitary | | Material: | |
| Sign: TVA | Latest release: TVA | Drawing no.: 14.7081.02.200 | |
| Date: 2017-03-29 | Release date: 2017-08-29 | REV. A | |
| Dimension without tolerance, follows DS/ISO 2768-mK. This drawing is the property of d line a/s, and is not to be copied or shown to third parties. | | | |



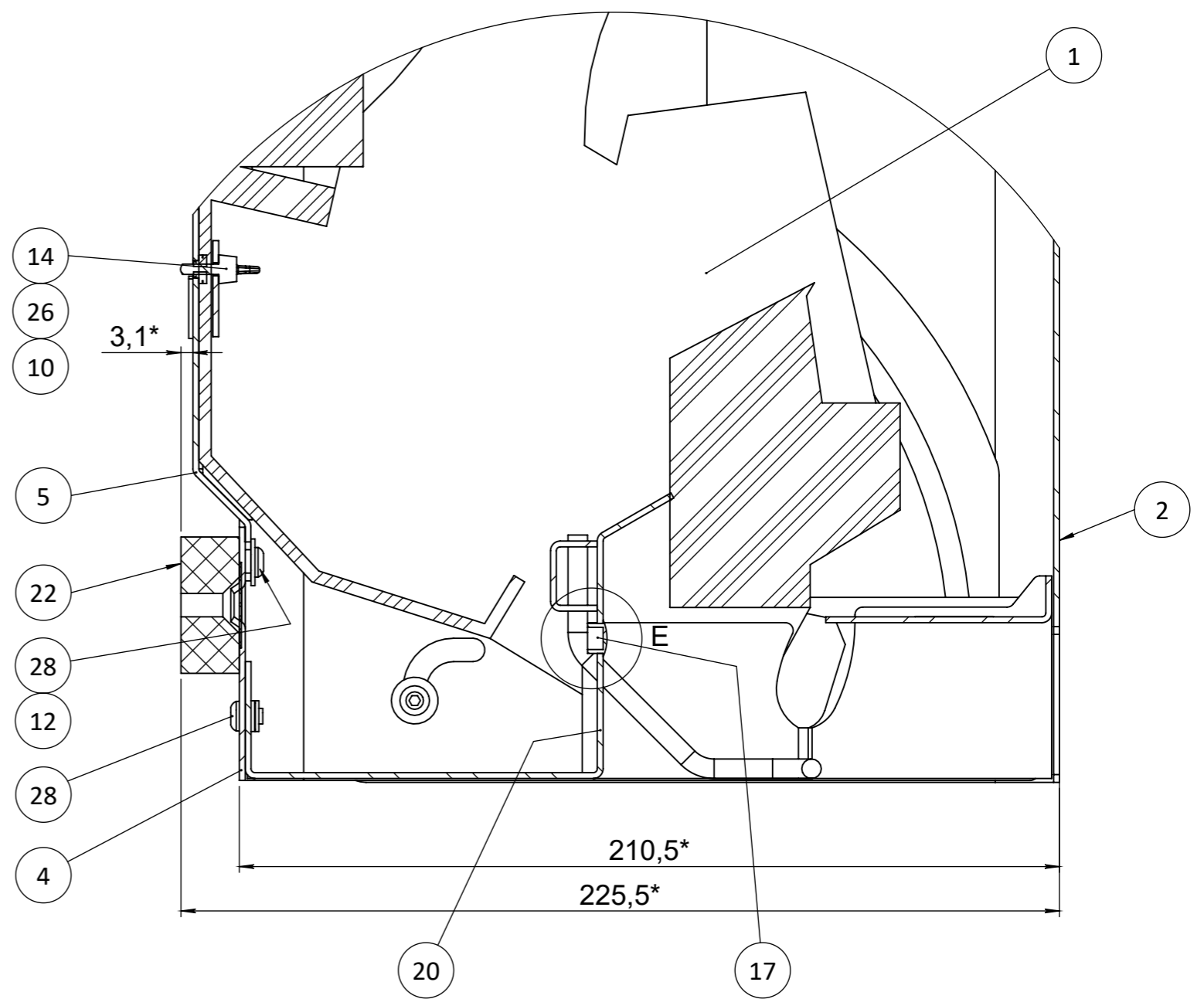
C (2 : 1)



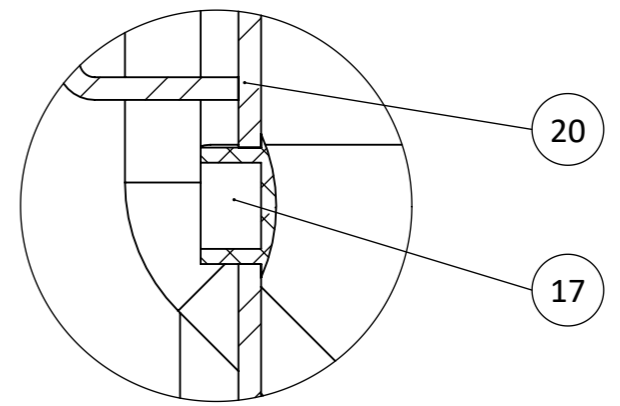
D (2 : 1)



B (2 : 3)



E (2 : 1)



Subject:
 Dimension without tolerance, follows DS/ISO 2768-mK.
 This drawing is the property of d line a/s, and is not to be copied or shown to third parties.

Drawing no.:
14.7081.02.200

SHEET 2 OF 2

